

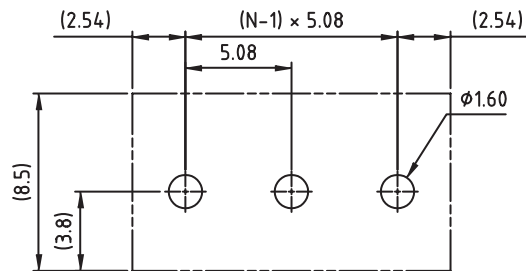
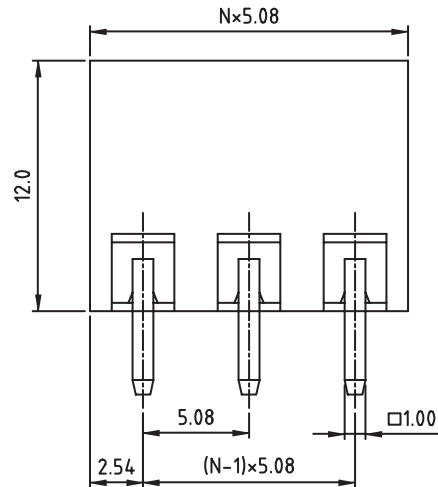
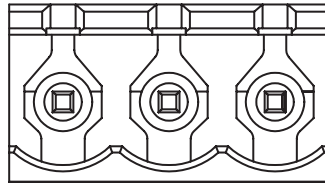
1

2

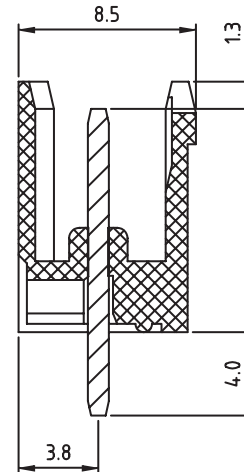
3

4

5



PCB LAYOUT - COMPONENT VIEW



TECHNICAL CHARACTERISTICS

MATERIAL
 INSULATOR: PA66
 FLAMABILITY RATING: UL94-V0
 COLOR: GREEN
 CONTACT PIN: BRASS (CuZn)
 SOLDER TAIL PLATING: TIN

ENVIRONMENTAL
 OPERATING TEMPERATURE: -40 UP TO 105°C
 COMPLIANCE: LEAD FREE AND ROHS

ELECTRICAL	cULus	VDE
CURRENT RATING:	20A	20A
WORKING VOLTAGE:	300VAC	300VAC
WITHSTANDING VOLTAGE:	1.6KV	2.5KV
CONTACT RESISTANCE:	20 mOhm MAX	

STANDARD

CERTIFIED E315414
 CERTIFIED 40023195

MECHANICAL
 PITCH: 5.08MM

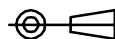
SOLDERING: WAVE PROCESS ONLY

PACKAGING: BOX

RoHS Compliant

G			
F			
E	25-FEV-22	PBT -> PA66	AK
D	13-OCT-09	STANDARD	JP
C	29-OCT-08	CHARACTERISTICS	JP
B	21-MAR-08	SERIE	CH
A	31-OCT-07	PDF	EC
REV	DATE	FILE	BY

PROJECTION:



APPROVAL: JHe

GENERAL TOLERANCE

.X = \pm 0.2.XX = \pm 0.15

UNIT: MM

SCALE:

SHEET: 1/1

DRAW: MARVIN

DESCRIPTION: SERIE 311 - 5.08MM OPEN VERTICAL PCB HEADER WR-TBL

WERI PART NO: 691 311 500 0xx

SIZE

A4