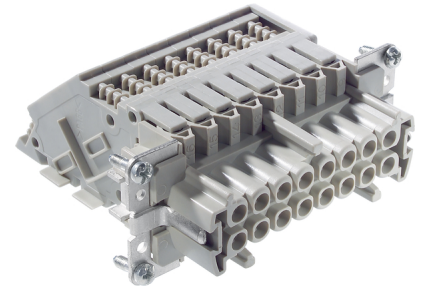


U.I. Lapp GmbH	<b>DATASHEET</b>	
	<b>EPIC® TB-H-BE 16</b>	<b>70314100</b> <b>14.11.2013</b>

For convenient, clear wiring in control cabinets. Assembly in panel-mount base housings.  
Standard H-BE inserts for use with switch cabinets  
Pluggable with H-BE male inserts in hoods  
Fastening on side = "left" means that when mounting the terminal adapter on the left wall of a control cabinet, the PE connection and pin "1" are on the "top" side



### Info

Plug connection for control cabinets

### Application range

Control cabinet manufacturing  
Plant engineering

### Remark

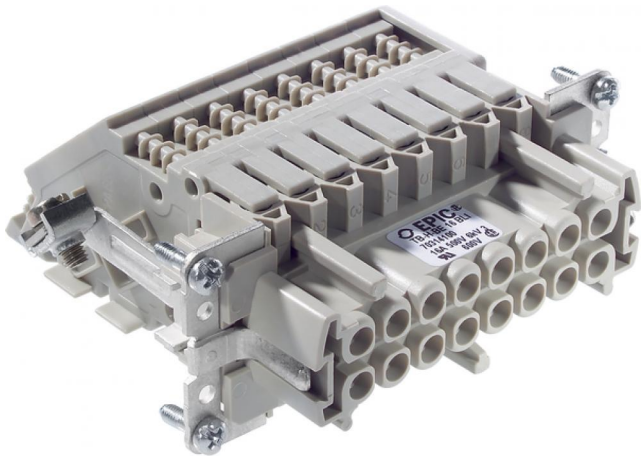
Photographs are not to scale and do not represent detailed images of the respective products.

### Technical Data

Article:	TB-H-BE 16 BLI
Version:	female
Fastening on side:	left
Contacts:	1 - 16
Pieces / PU:	10
Rated voltage (V):	IEC: 500 V UL: 600 V CSA: 600 V
Rated impulse voltage:	6 kV
Rated current (A):	IEC: 16 A UL: 16 A CSA: 16 A
Contacts:	Copper alloy, hard silver-plated
Number of contacts:	16 + PE
Termination methods:	Screw termination: 0.5 - 4 mm <sup>2</sup>
Cycle of mechanical operation:	200
Temperature range:	-40 °C to +100 °C, short-term up to +125 °C
Degree of soiling:	3

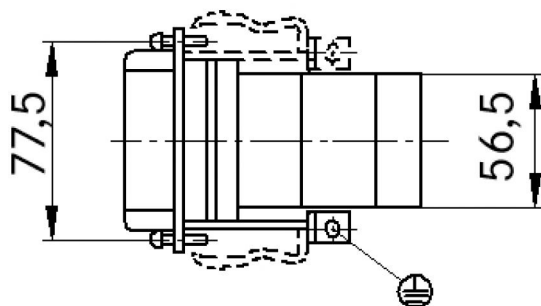
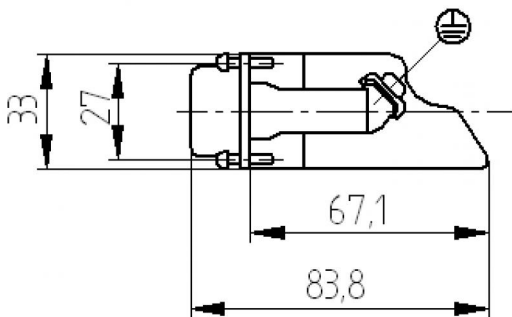
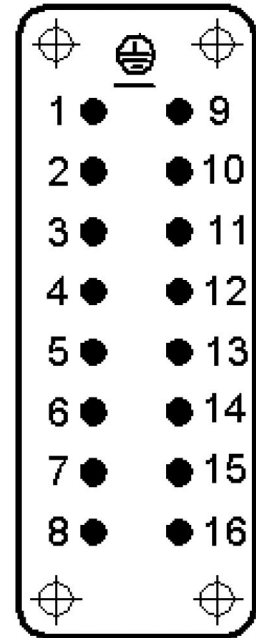
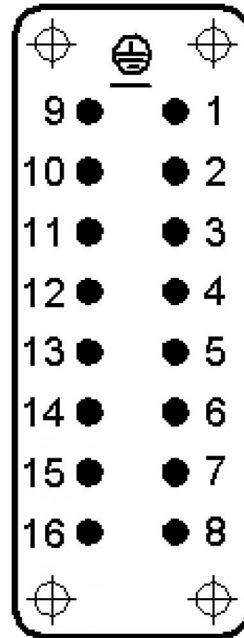
Product Management	Document: EPIC® TB-H-BE 16	1 / 2
--------------------	----------------------------	-------

U.I. Lapp GmbH	<h1>DATASHEET</h1>	
	<b>EPIC® TB-H-BE 16</b>	70314100 14.11.2013



**M**

**F**



Product Management	Document: EPIC® TB-H-BE 16	2 / 2
--------------------	----------------------------	-------