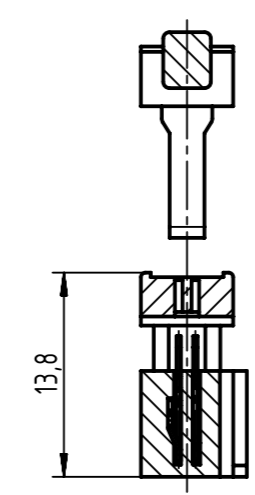
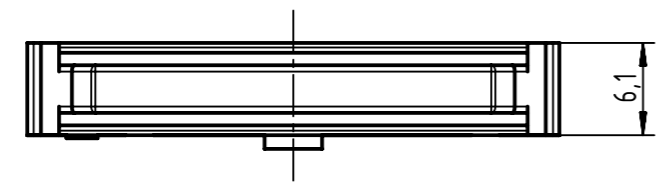
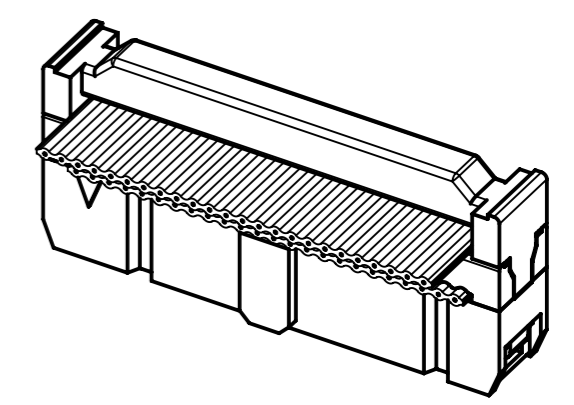
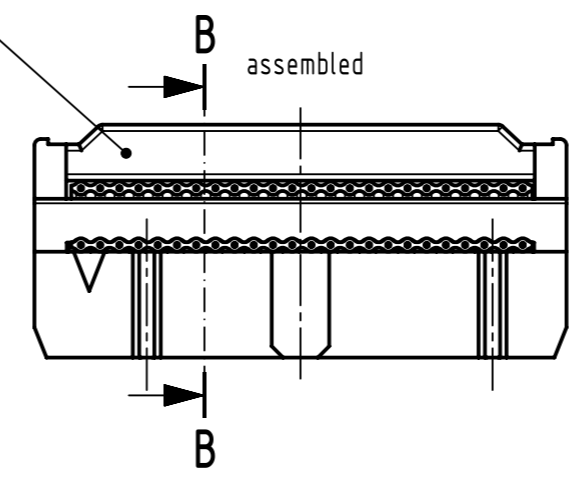
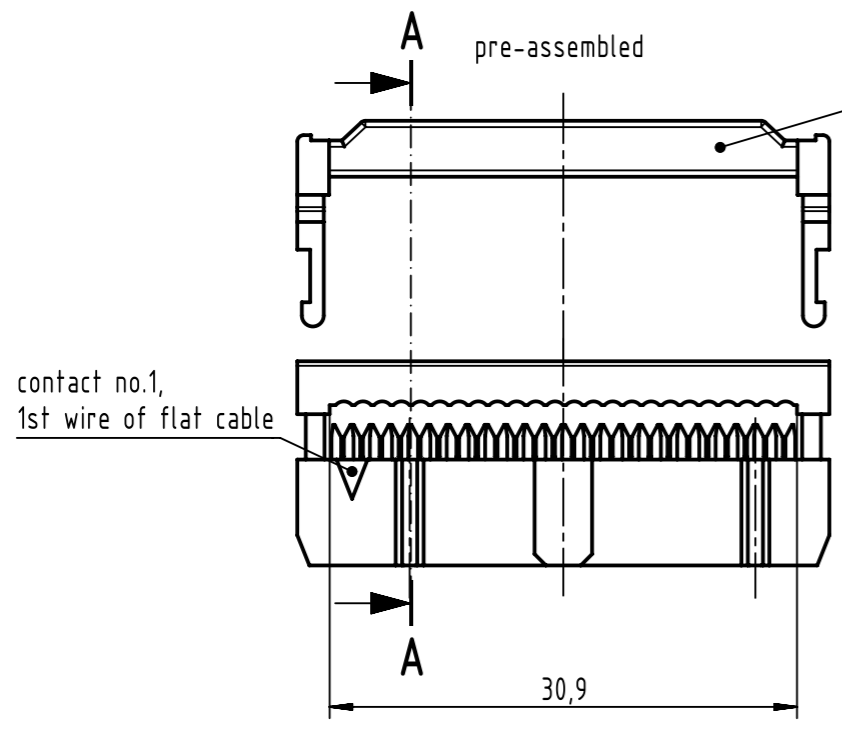
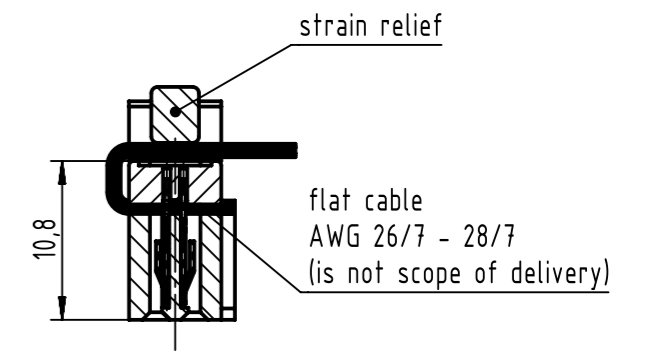


pre-assembled
A-A



assembled
B-B



09 18 524 7813 001	3	black
09 18 524 6813 001	2	
09 18 524 5813 001	S4 (NM30)	grey
09 18 524 7813	3	
09 18 524 6813	2	grey
09 18 524 5813	S4 (NM30)	
part number	performance level	color

further information see product data sheet

	All Dimensions in mm Original Size DIN A3	Scale 2:1	Free size tol.		Ref.
	All rights reserved Department EL PD	Created by STORCK	Inspected by LEHNERT	Standardisation KOHLER	Date 2020-02-14
HARTING Electronics GmbH D-32339 Espelkamp	Title SEK 18 female open end cover w. strain relief 24-pole			Doc-Key / ECM-Nr. 100700527/UGD/001/B 500000163854	
	Type TB	Number 0918524X813		Rev. B	Page 1/1