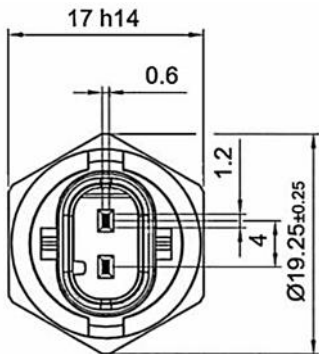
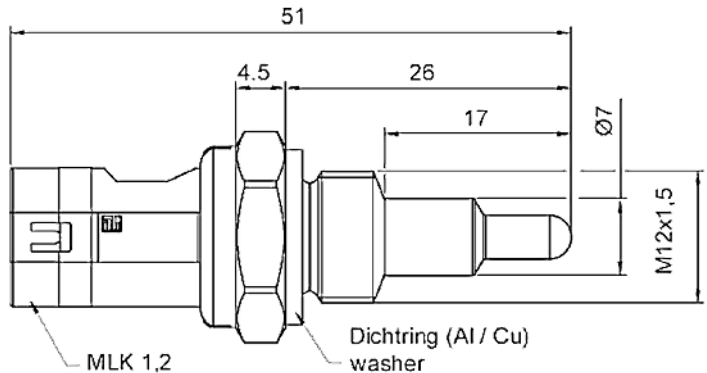


Temperature sensor

94082



Connector		Dimensions	
			
Media	Liquid media e.g. water, oil	Connector	MLK 1.2, Female connector on request
Nominal resistance	2,251 Ω (25 °C) *	Sealing ring	Al / CU
Temperature range	- 40 °C to +155 °C	Protection range	IP 6K9K
Time of response	T90 ≤ 10 s (water)	Order number	9408200900
Thread	M12 x 1.5	Order number with mating plug	9408200910