

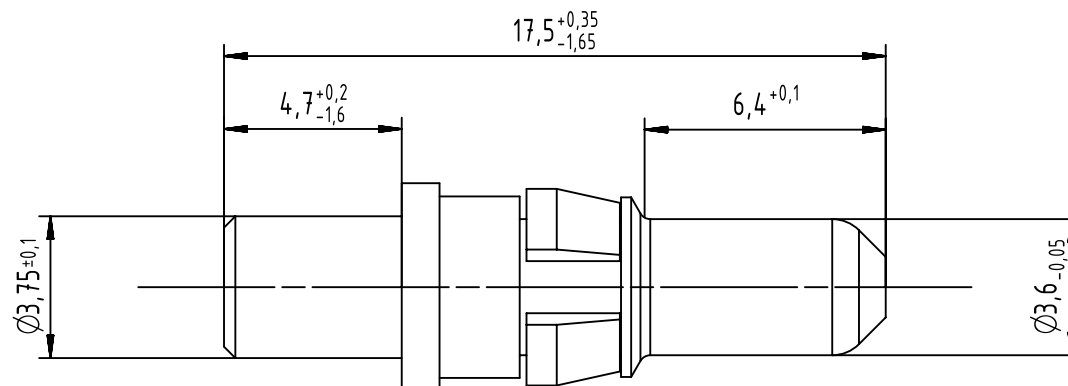
1 2 3 4 5 6

A

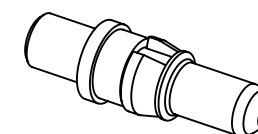
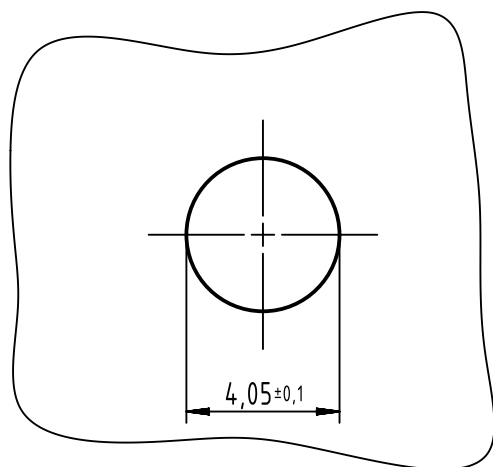
B


C

D



board drilling



	All rights reserved Department EC PD - DE	All Dimensions in mm Original Size DIN A4			Scale 5:1	Free size tol. complementary DIN 41626-1	Ref. Sub. TB 09030006135 / 500000070626 / 2014-01-29
		Created by ELLERMANN	Inspected by DAHMS	Standardisation HOFFMANN	Date 2014-10-16	State Final Release	
HARTING Electronics GmbH D-32339 Espelkamp		Title DIN signal male contact power 40A straight solder				Doc-Key / ECM-Nr. 100553322/UGD/002/C 500000080772	
		Type TB	Number 09030006135			Rev. C	Page 1/1