


Product information

RKMVV/LED - RKMVV/LED A 3-06/2 M

Industrial Connecting Solutions: Circular Connectors: M8 - M12 Connectors: M8 Connectors: Overmolded single ended M8 cord sets: female connector: with LED, with threaded joint or snap-in joint: RKMVV/LED

http://www.e-catalog.beldensolutions.com/link/57078-24228-256281-256292-256303-250524-250526-250529-251294/en/RKMVLA3_006_0200/ui/state

Name	RKMVV/LED
	
	Cordsets, single-ended, for actuator/sensors and distribution boxes, M8 female connector, angled, with self-locking threaded joint and molded cable, LED operation and function indicator (pnp), 3 poles, PVC jacket, orange, 2 meters.
Delivery informations	
Availability	available
Product description	
Type	RKMVV/LED A 3-06/2 M
Order No.	11336
Description	Cordsets, single-ended, for actuator/sensors and distribution boxes, M8 female connector, angled, with self-locking threaded joint and molded cable, LED operation and function indicator (pnp), 3 poles, PVC jacket, orange, 2 meters.
Note	The application of these products in harsh environments should always be checked before use.
Number of contacts	3
Color of housing	black translucent
Product characteristics	Vibration resistance
Classification	
Belden brand	Lumberg-Automation
Mechanical data	
Type of plug-in contact	Female connector
Design of housing	angled
Thread	M8
Design of electrical connection	connector M8
LED display present	✓
Environmental conditions	
Environmental temperature	-40 °C ... 90 °C
Degree of protection (IP), mounted	IP67 / IP69K
Pollution degree	3
Materials	
Housing material / Molded body	TPU
Contact bearer material	PA/TPU
Contact material	CuZn
Contact material - Surface refinement	pre-nickelated and 0.8 microns gold-plated
Knurled screw / nut material	CuZn, nickel-plated
Sealing material	FKM
Electrical data	
Contact resistance	≤ 5 mΩ
Rated current I_n	4 A at 40°C
Nominal voltage	10 - 30 V DC
Rated voltage	32 V
Insulation resistance	> 1 GΩ
Approvals	
Approvals	UL
Cable	
Cable length	2 m
Cable number	06

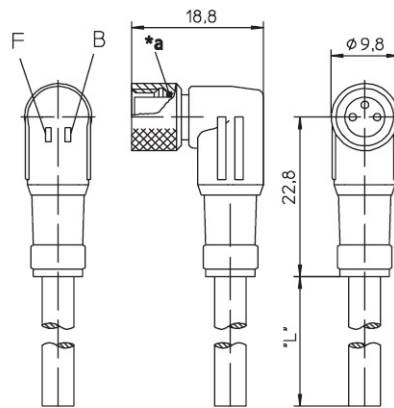
Industrial Connecting Solutions: Circular Connectors: M8 - M12 Connectors: M8 Connectors: Overmolded single ended M8 cord sets: female connector: with LED, with threaded joint or snap-in joint: RKMWW/LED

http://www.e-catalog.beldensolutions.com/link/57078-24228-256281-256292-256303-250524-250526-250529-251294/en/RKMWWLA3_006_0200/uistate

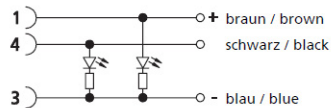
Cable description	Sensor connecting cable
Color of jacket	orange
Material of outer jacket	PVC
Without halogens as in EN 50267-2-3	✗
shielded	✗
welding spark proof	✗
Outer diameter of the cable	5.0 mm
Number of conductors	3
Cable design	3 x 0.34 mm ²
Conductor design	42 x 0.10 mm
Flame resistant according to standard	none

Picture

Drawing



A pnp-Schließer /
 pnp Normally open =
 gelb-grün / yellow-green



3-polig
3 poles



1 = braun / brown
 3 = blau / blue
 4 = schwarz / black

Belden Deutschland GmbH
 Im Gewerbepark 2
 58579 Schalksmühle
 Germany
 Phone: +49 7127/14-1806
 E-Mail: icos-sales@belden.com

The information published in the websites has been compiled as carefully as possible. It is subject to alteration without notice in technical as well as in price-related/commercial respect. The complete information and data were available on user documentation. Mandatory information can only be obtained by a concrete query.