



60 L or 80 L container
available in 5 colours.



Sell Sheet
PB-1080
PB-1090
PB-10XX

**WASTE SEPARATION
RECEPTACLES**

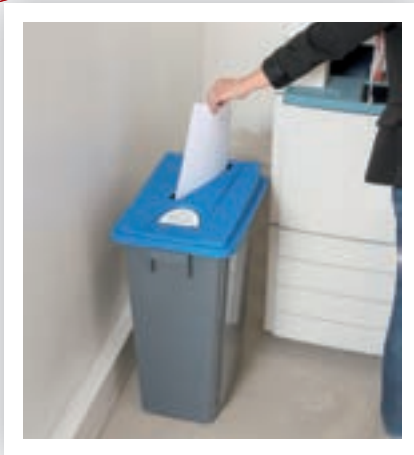


2 different transport dollies
compatible with both
container sizes. Link dollies
to create a customised
mobile recycling station.

Ideal solution for waste disposal
and separation.



Designed to fit restricted
smaller spaces & under
counters or workstations.
Built-in handles for easy
lifting and transportation.



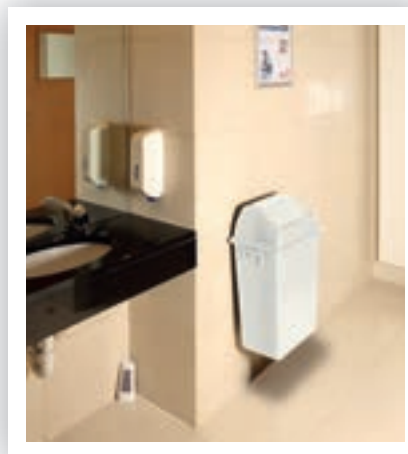
11 different lids
for effective waste
separation.



A set of 6 selective
waste stickers delivered
with each flat lid.



Also available in this range:
a bracket enables to mount
60 L and 80 L containers
to the wall, with or without
swing lid PB-1021.





PB-1080-BLA



PB-1080-BLU



PB-1080-GRN



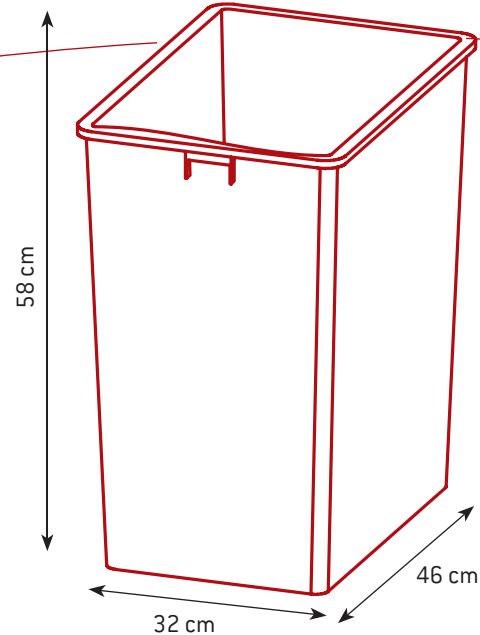
PB-1080-GRY



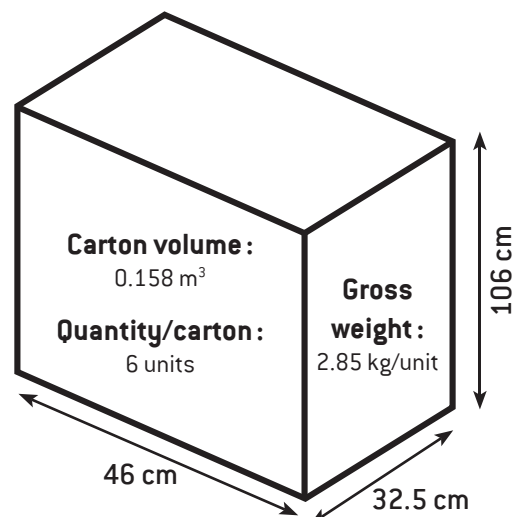
PB-1080-WHT

Technical Sheet PB-1080

WASTE SEPARATION RECEPTACLE - 60 L



CARTON SPECIFICATIONS



Product codes :

PB-1080-BLA
PB-1080-BLU
PB-1080-GRN
PB-1080-GRY
PB-1080-WHT

EAN codes :

PB-1080-BLA : 4897020626893
PB-1080-BLU : 4897020626909
PB-1080-GRN : 4897020626916
PB-1080-GRY : 4897020620549
PB-1080-WHT : 4897020626947

Material : Polypropylene

Colours :

PB-1080-BLA : black
PB-1080-BLU : blue
PB-1080-GRN : green
PB-1080-GRY : grey
PB-1080-WHT : white

Capacity : 60 L

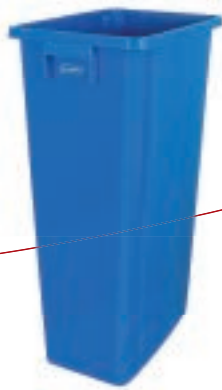
Product net weight : 2.6 kg/unit

Product dimensions :

(L) 32 x (W) 46 x (H) 58 cm



PB-1090-BLA



PB-1090-BLU



PB-1090-GRN



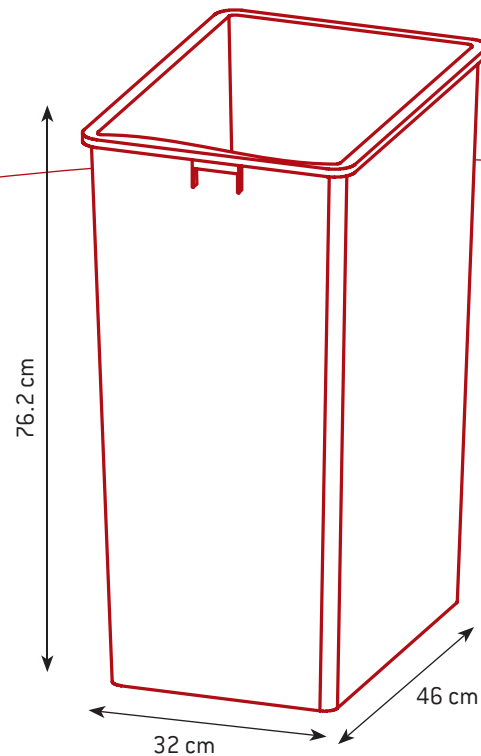
PB-1090-GRY



PB-1090-WHT

Technical Sheet PB-1090

WASTE SEPARATION RECEPTACLE - 80 L



Product codes :

PB-1090-BLA
PB-1090-BLU
PB-1090-GRN
PB-1090-GRY
PB-1090-WHT

EAN codes :

PB-1080-BLA : 4897020626442
PB-1080-BLU : 4897020626459
PB-1080-GRN : 4897020626466
PB-1080-GRY : 4897020622932
PB-1080-WHT : 4897020626954

Material : Polypropylene

Colours :

PB-1090-BLA : black
PB-1090-BLU : blue
PB-1090-GRN : green
PB-1090-GRY : grey
PB-1090-WHT : white

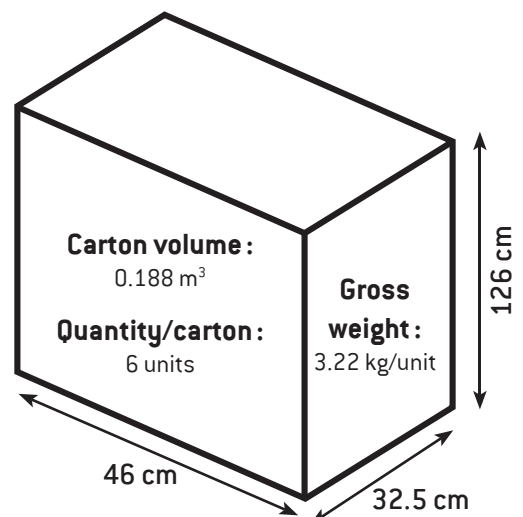
Capacity : 80 L

Product net weight : 2.90 kg/unit

Product dimensions :

(L) 32 x (W) 46 x (H) 76.2 cm

CARTON SPECIFICATIONS





PB-1081-GRY-LID



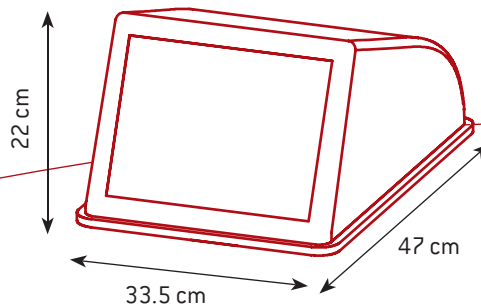
PB-1082-GRY-LID



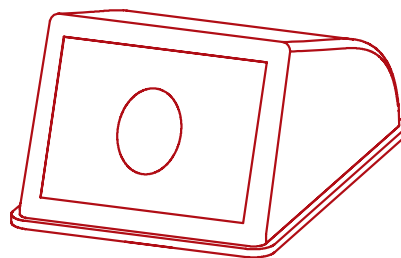
PB-1083-GRY-LID

Technical Sheet PB-1081-GRY-LID PB-1082-GRY-LID PB-1083-GRY-LID

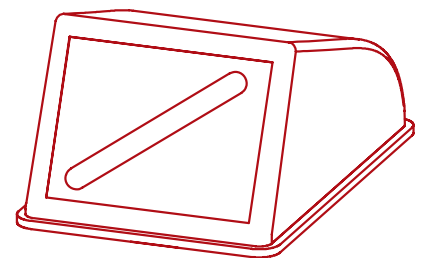
LIDS FOR WASTE SEPARATION RECEPTACLES 60 L OR 80 L



PB-1081-GRY-LID



PB-1082-GRY-LID



PB-1083-GRY-LID

Product codes :

PB-1081-GRY-LID - Push Lid
PB-1082-GRY-LID - Cans & Bottles Lid
PB-1083-GRY-LID - Paper Lid

EAN codes :

PB-1081-GRY-LID : 4897020620556
PB-1082-GRY-LID : 4897020620563
PB-1083-GRY-LID : 4897020620570

Material :

Polypropylene

Colours :

PB-1081-GRY : Grey
PB-1082-GRY : Grey/Yellow
PB-1083-GRY : Grey

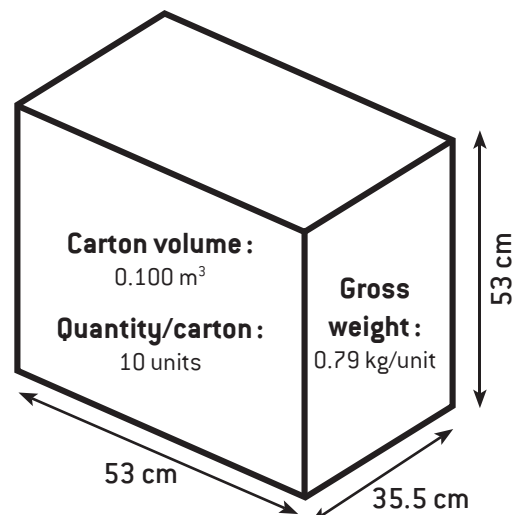
Product net weight :

0.69 kg/unit

Product dimensions :

[L] 47 x [W] 33.5 x [H] 22 cm

CARTON SPECIFICATIONS



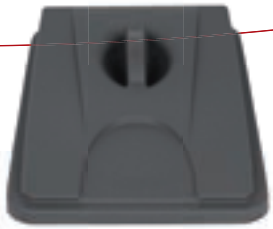
Technical Sheet

PB-1011 - PB-1012

PB-1013 - PB-1014

LIDS FOR WASTE SEPARATION RECEPTACLES

60 L & 80 L



PB-1011-GRY



PB-1012-BLU



PB-1012-GRN



PB-1013-YEL



PB-1013-RED



PB-1014-BLU



PB-1014-YEL

Product codes :

- PB-1011-GRY - Universal Lid with handle
- PB-1012-GRN - Lid with round opening (bottles)
- PB-1012-BLU - Lid with round opening (bottles)
- PB-1013-RED - Lid with square opening (cans)
- PB-1013-YEL - Lid with square opening (cans)
- PB-1014-BLU - Lid with slot opening (paper)
- PB-1014-YEL - Lid with slot opening (paper)

EAN codes :

- PB-1011-GRY: 4897020624288
- PB-1012-GRN: 4897020624295
- PB-1012-BLU: 4897020624875
- PB-1013-RED: 4897020624974
- PB-1013-YEL: 4897020624301
- PB-1014-BLU : 4897020624318
- PB-1014-YEL : 4897020625100

Material : Polypropylene

Colours :

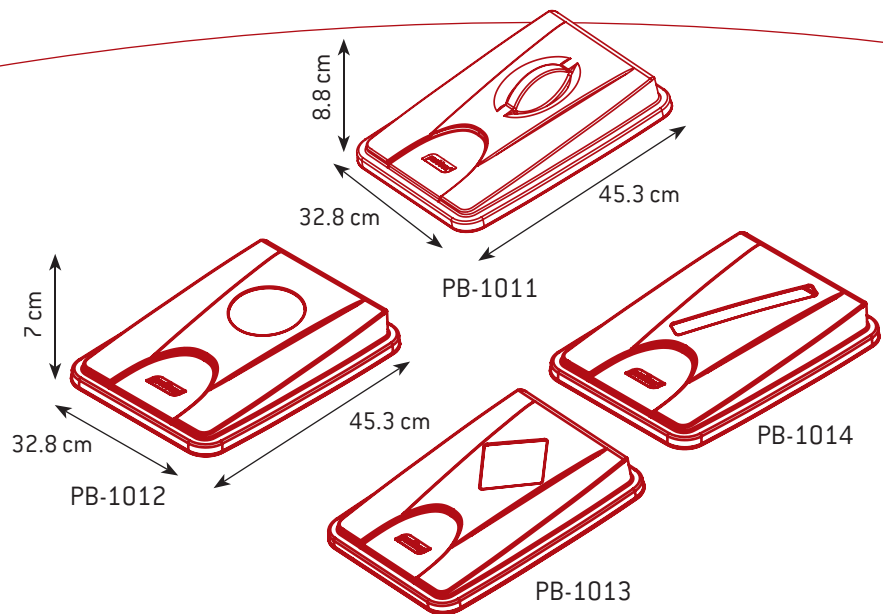
- PB-1011-GRY: Grey
- PB-1012-GRN: Green
- PB-1012-BLU: Blue
- PB-1013-RED: Red
- PB-1013-YEL: Yellow
- PB-1014-BLU: Blue
- PB-1014-YEL: Yellow

Product net weight :

- PB-1012/13/14 : 0.46 kg/unit
- PB-1011 : 0.50 kg/unit

Product dimensions :

- PB-1011 : (L) 45.3 x (W) 32.8 x (H) 8.8 cm
- PB-1012/13/14 : (L) 45.3 x (W) 32.8 x (H) 7 cm



Set of 6 selective waste stickers included

CARTON SPECIFICATIONS

PB-1011

- Carton dimensions :**
(L) 45.6 x (w) 33.4 x (h) 55 cm
- Carton volume :** 0.084 m³
- Quantity/carton :** 6 units
- Gross weight :** 0.65 kg/unit

PB-1012/13/14

- Carton dimensions :**
(L) 45.6 x (w) 33.4 x (h) 43.5 cm
- Carton volume :** 0.066 m³
- Quantity/carton :** 6 units
- Gross weight :** 0.58 kg/unit



Technical Sheet
PB-1021
SWING LID
FOR PB-1080 & PB-1090



PB-1021-GRY



PB-1021-WHT

Product codes :

PB-1021-GRY
PB-1021-WHT

EAN codes :

PB-1021-GRY : 4897020626015
PB-1021-WHT : 4897020626930

Material :

Polypropylene

Colour :

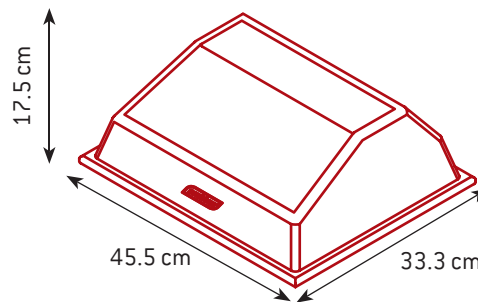
PB-1021-GRY : grey
PB-1021-WHT : white

Product net weight :

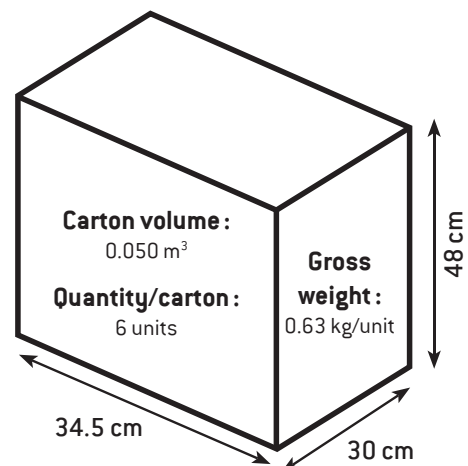
0.57 kg/unit

Product dimensions :

[L] 45.5 x [W] 33.3 x [H] 17.5 cm



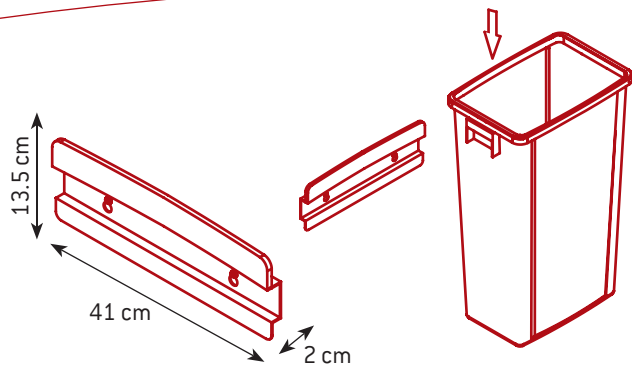
CARTON SPECIFICATIONS



Technical Sheet
PB-1005
WALL FITTING
FOR PB-1080 & PB-1090



PB-1005-DGRY



Product code :

PB-1005-DGRY

EAN code :

4897020626138

Material :

Galvanised steel /epoxy

Colour :

Dark Grey

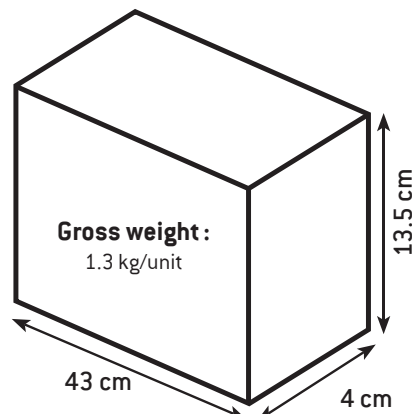
Product net weight :

1.1 kg/unit

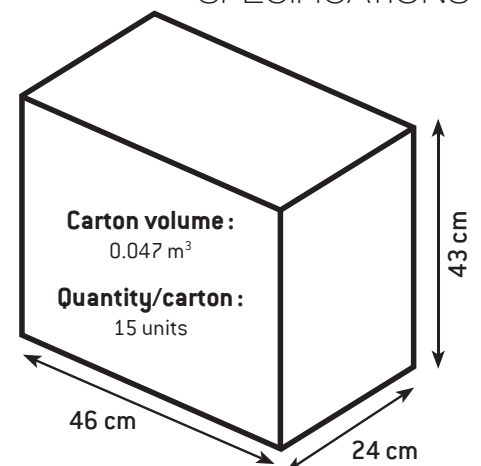
Product dimensions :

(L) 41 x (W) 2 x (H) 13.5 cm

GIFT BOX
SPECIFICATIONS



CARTON
SPECIFICATIONS



Technical Sheet
PB-1000

**LOCKING KIT FOR
WASTE SEPARATION
RECEPTACLES**



Front

Back



PB-1000-BLA

Product code :
PB-1000-BLA

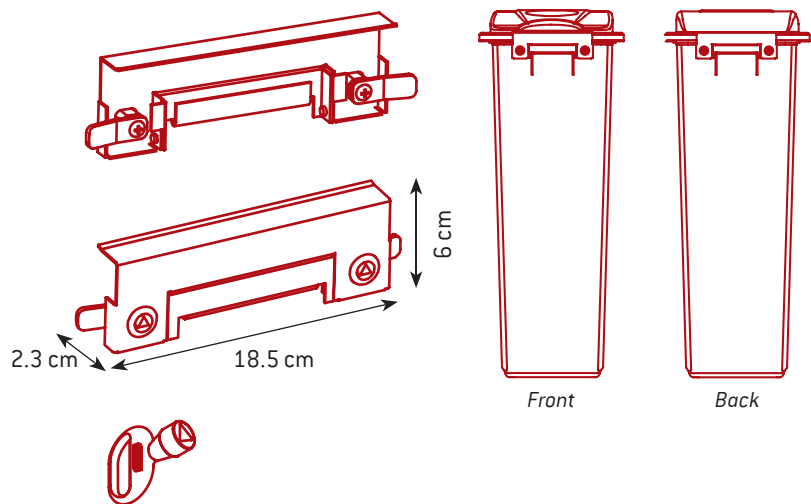
EAN code :
4897020624523

Material :
Galvanised steel (epoxy)

Colour :
Black

Product net weight :
0.44 kg/kit

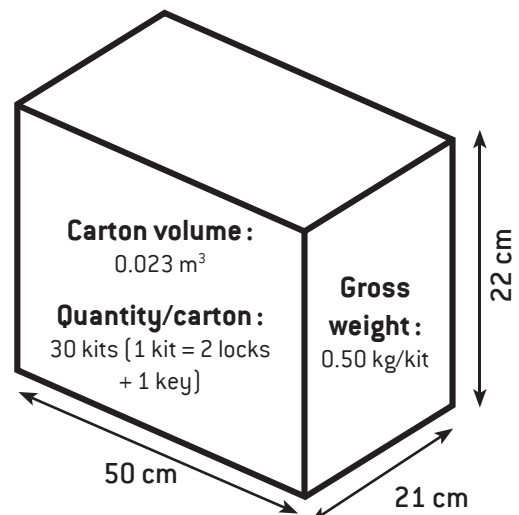
Product dimensions :
(L) 18.5 x (w) 2.3 x (H) 6 cm



Front

Back

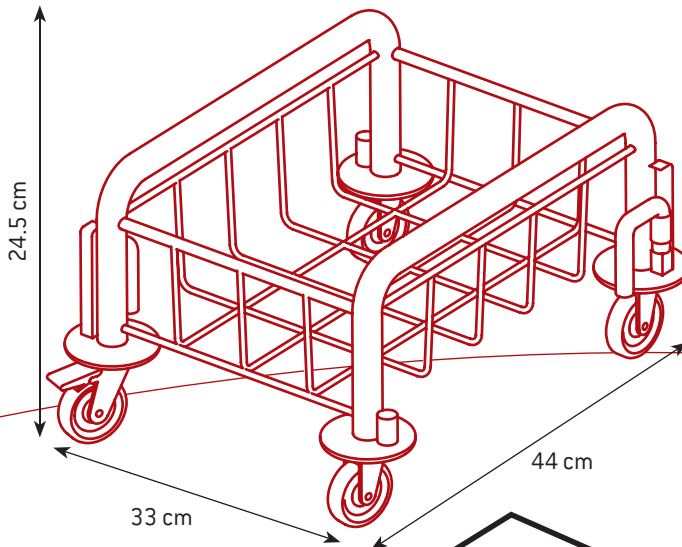
CARTON
SPECIFICATIONS



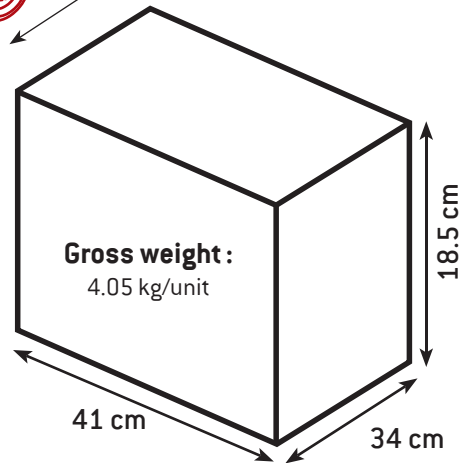
Technical Sheet PB-1001 DOLLY FOR PB-1080 & PB-1090



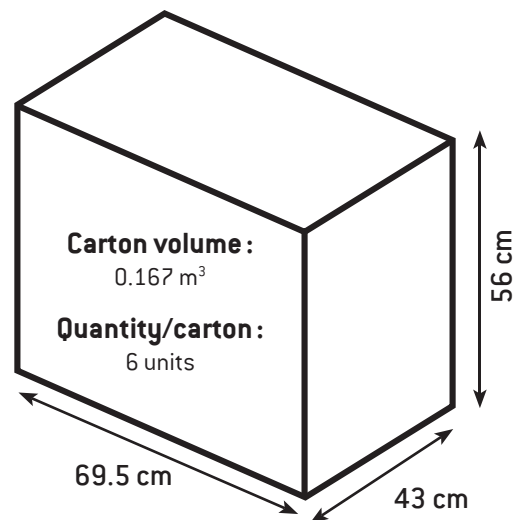
PB-1001-BLA



GIFT BOX SPECIFICATIONS



CARTON SPECIFICATIONS



Product code :

PB-1001-BLA

EAN code :

4897020624271

Material :

Galvanised steel (epoxy)

Colour :

Black

Maximum charge per dolly :

80 kg

Product net weight :

2.92 kg/unit

Product dimensions :

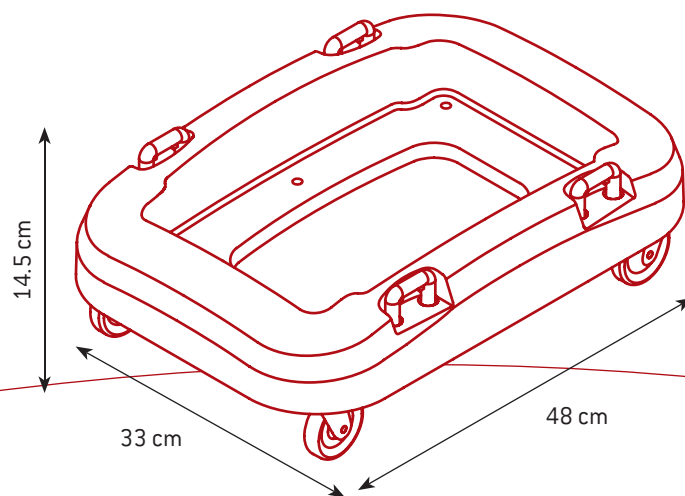
(L) 33 x (W) 44 x (H) 24.5 cm



Technical Sheet
PB-1002
DOLLY FOR
PB-1080 & PB-1090



PB-1002-BLA



Product code :

PB-1002-BLA

EAN code :

4897020624912

Material :

Polypropylene

Colour :

Black

Maximum charge per dolly :

80 kg

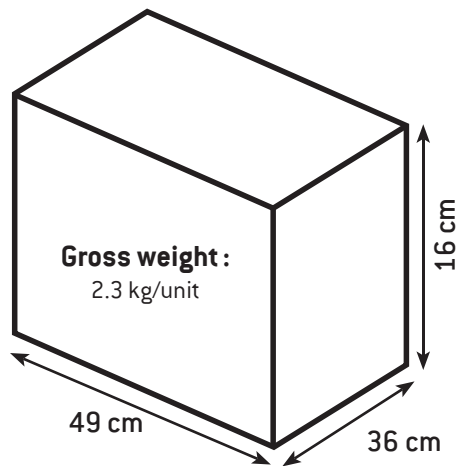
Product net weight :

1.67 kg/unit

Product dimensions :

(L) 33 x (W) 48 x (H) 14.5 cm

GIFT BOX SPECIFICATIONS



CARTON SPECIFICATIONS

