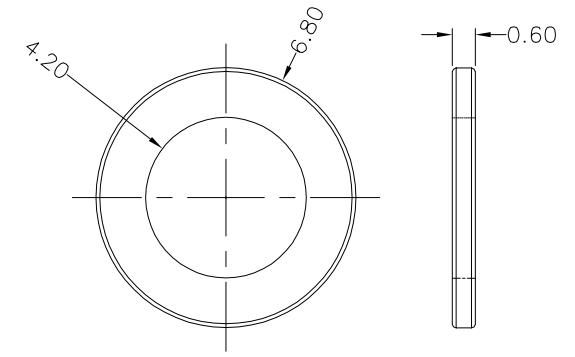
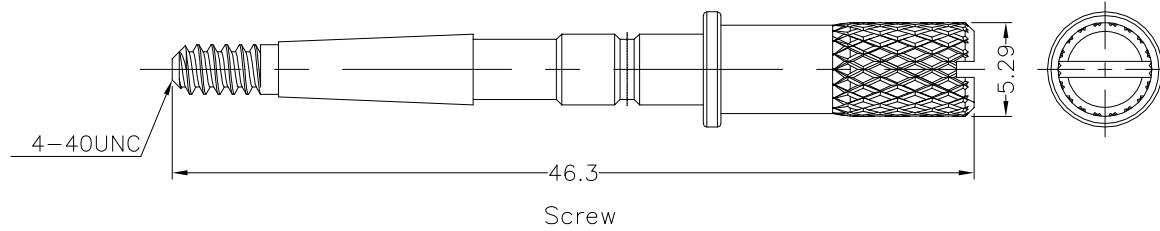
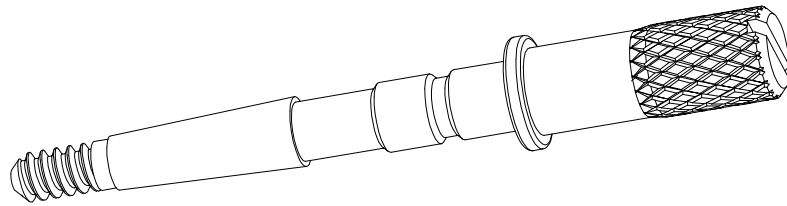


# Waterproof D-Sub Cable Connector Kit



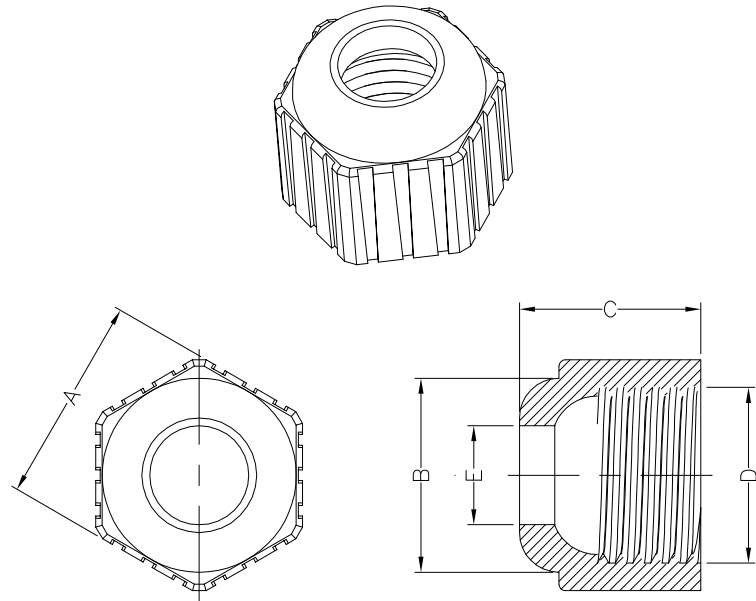
Washer 2



- Glass filled, black thermoplastic body
- Flame retardant to UL94V-0, colour: black
- Screws: Brass 100u" min sn over 50u" nickel
- Temperature Range: -55 ... 85 °C
- IP67 Waterproof rate
- Plug connection

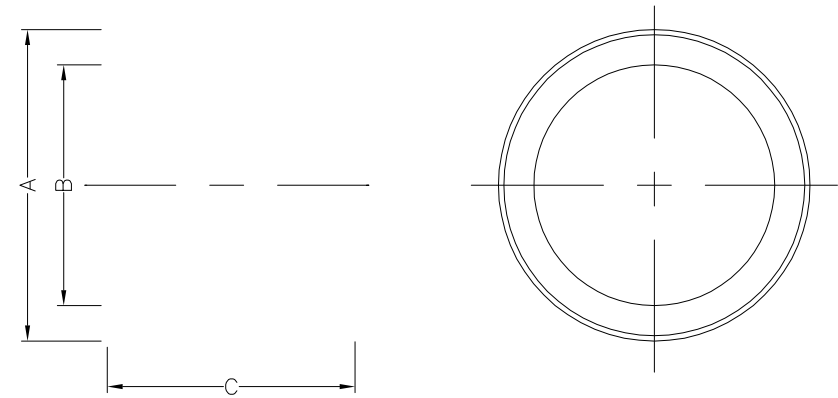
Product Range:	Number of Pins
RND 205-01367	9
RND 205-01368	15
RND 205-01369	25
RND 205-01370	37

# Waterproof D-Sub Cable Connector Kit



Plastic nuts

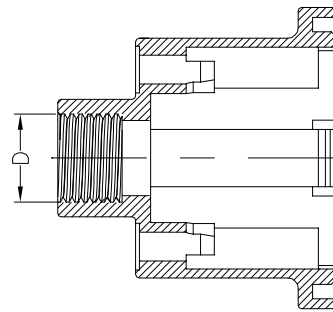
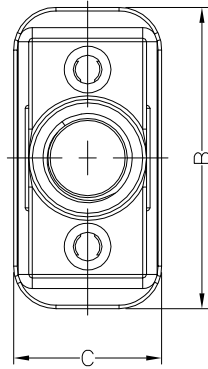
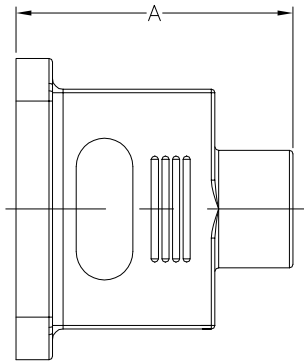
Plastic nuts					
ITEM	A	B	C	D	E
9PIN	14.60	13.50	12.80	M12x1.25	6.85
15PIN	15.20	13.80	12.80	M13x1.25	7.50
25PIN	16.30	14.30	12.80	M14x1.25	8.90
37PIN	17.30	15.30	12.80	M15x1.25	9.85



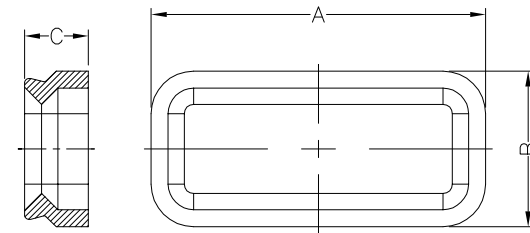
Soft rubber

Soft rubber			
ITEM	A	B	C
9PIN	8.80	6.80	7.00
15PIN	9.80	7.80	7.00
25PIN	10.80	8.80	7.00
37PIN	11.80	9.80	7.00

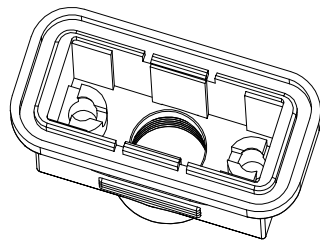
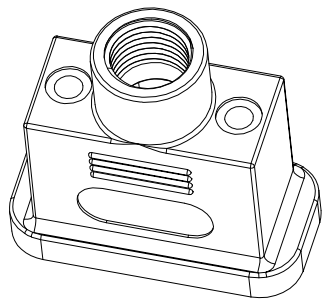
# Waterproof D-Sub Cable Connector Kit



Cover



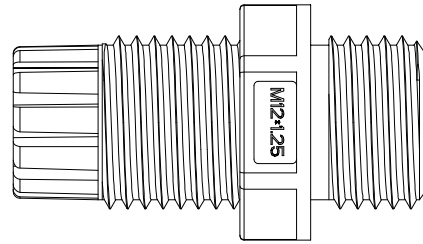
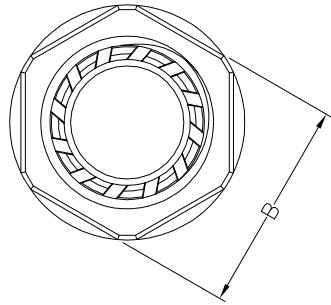
Soft rubber



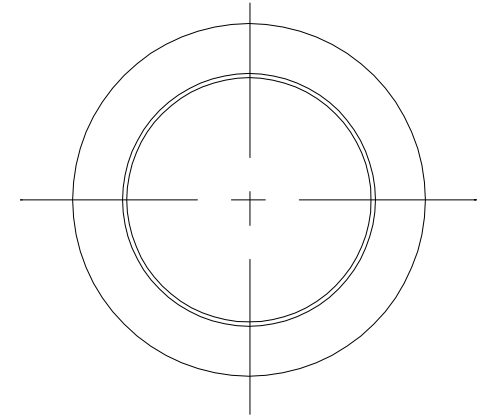
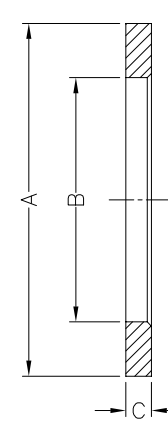
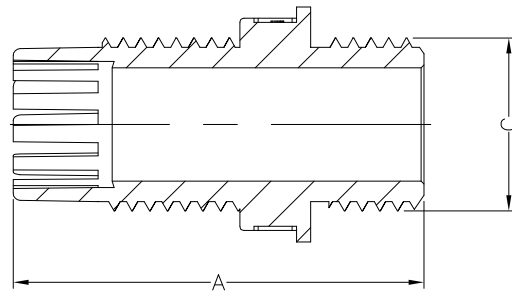
Cover				
ITEM	A	B	C	D
9PIN	39.10	42.55	20.90	M12x1.25
15PIN	39.10	50.87	20.90	M13x1.25
25PIN	39.10	64.59	20.90	M14x1.25
37PIN	39.10	81.05	20.90	M15x1.25

Soft rubber			
ITEM	A	B	C
9PIN	39.35	18.30	7.50
15PIN	47.67	18.30	7.50
25PIN	61.39	18.30	7.50
37PIN	77.85	18.30	7.50

# Waterproof D-Sub Cable Connector Kit



Harness screw

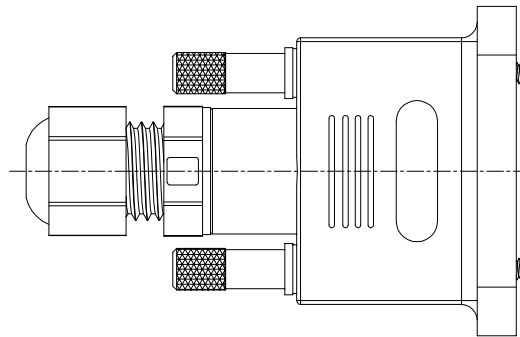
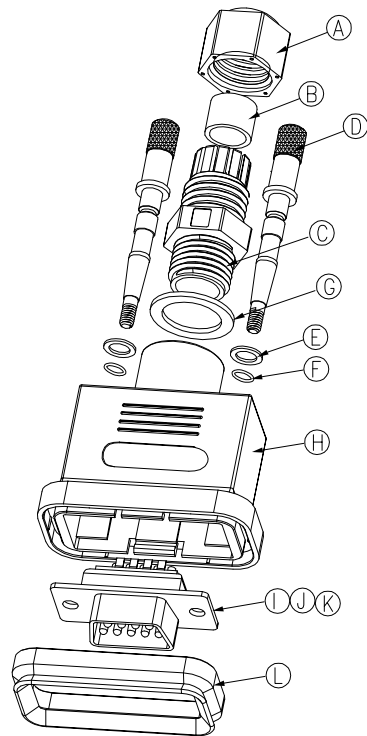


Washer 1

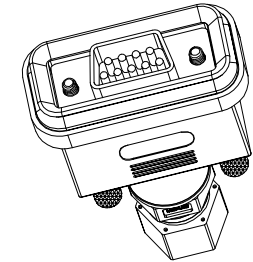
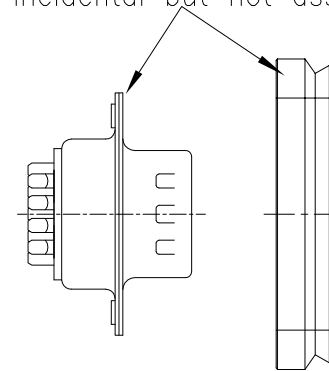
Harness screw			
ITEM	A	B	C
9PIN	29.00	15.00	M12x1.25
15PIN	29.00	15.00	M13x1.25
25PIN	29.00	15.90	M14x1.25
37PIN	29.00	18.60	M15x1.25

Washer 1			
ITEM	A	B	C
9PIN	∅16.6	∅11.5	1.50
15PIN	∅16.6	∅12.5	1.50
25PIN	∅17.6	∅13.5	1.50
37PIN	∅18.6	∅14.5	1.50

# Waterproof D-Sub Cable Connector Kit



Incidental but not assembled



NO	DESCRIPTION	QTY	MATERIAL	PLATING & COLOR
L	GASKET	1	EPDM	BLACK
K	MALE PIN	XX	Brass(HBi59-1.5B)	GOLD PLATING OVER NICKEL PLATING
J	INSULATOR	2	PBT	BLACK
I	SHELL	2	COLD ROLLER STEEL	NICKEL PLATING
H	HOUSING	1	ABS	BLACK
G	O-RING 3	2	EPDM	BLACK
F	O-RING 2	2	SILICONE	CLEAR
E	O-RING 1	1	SILICONE	BLACK
D	SCREW	2	HBi59-1.5B(#4-40UNC)	NICKEL PLATING
C	CLAMP RING	1	PC	BLACK
B	SEAL	1	EPDM	BLACK
A	SEALING NUT	1	PC	BLACK

## Notes

- Current Rating: 5 A
- Temperature Range: -20 ... 80 °C
- IP67 Waterproof rate, immersed in 1 m water for 30 minutes
- 10 mOhm max. contact resistance
- Hi-Pot test 1000 VAC @ 5 mA min.
- Insulation resistance: 100 Mohm min. by 500 VDC

## Product Range:

## Number of Pins

RND 205-01367	9
RND 205-01368	15
RND 205-01369	25
RND 205-01370	37