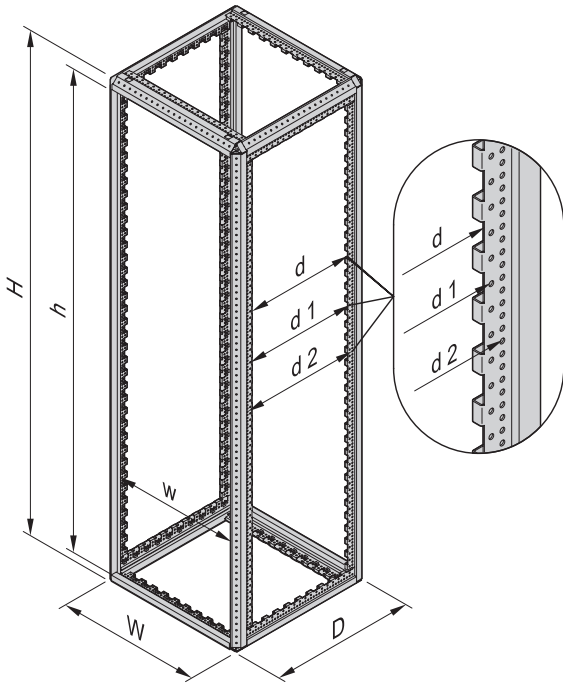


Cabinets – VARISTAR platform

Frame dimensions



Height

Cabinet height		Frame	
mm	U	H mm	h mm
1200	24	1192	1102
1400	29	1392	1302
1600	33	1592	1502
1800	38	1792	1702
2000	42	1992	1902
2200	47	2192	2102

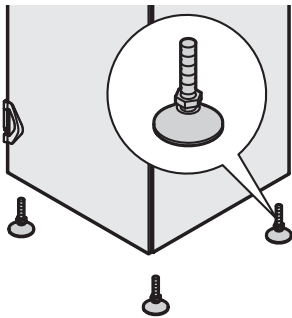
width

Cabinet width	Frame W	Slim-Line w	Heavy-Duty w
mm	mm	mm	mm
600	592	535	502
800	792	735	702

Depth

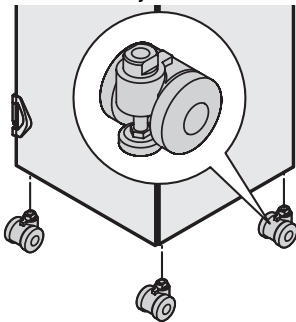
Cabinet depth	Frame			
mm	D mm	d mm	d ₁ mm	d ₂ mm
300	292	128,8	150	175
600	592	428,8	450	475
800	792	628,8	650	675
900	892	728,8	750	775
1000	992	828,8	850	875
1100	1092	928,8	950	975
1200	1192	1028,8	1050	1075

Adjustable feet

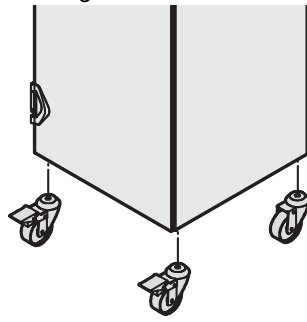


01005087

Castors with adjustable feet



Locking castors

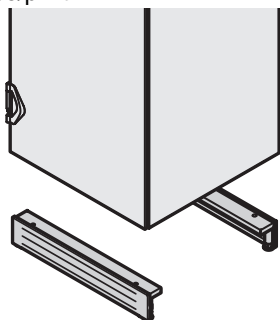


01004081

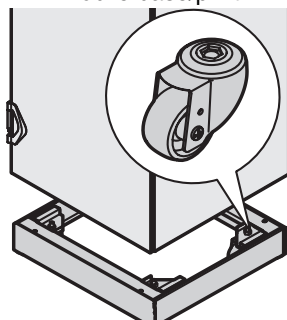
Height of adjustable feet, castors, base/plinth

Adjustable feet	20 ... 40 mm
Locking castors	85 mm
Castors with adjustable feet	85 ... 95 mm
Base/plinth (feet)	112 ... 132 mm
Base/plinth, mobile	126,5 ... 134,5 mm

Base/plinth



Mobile base/plinth

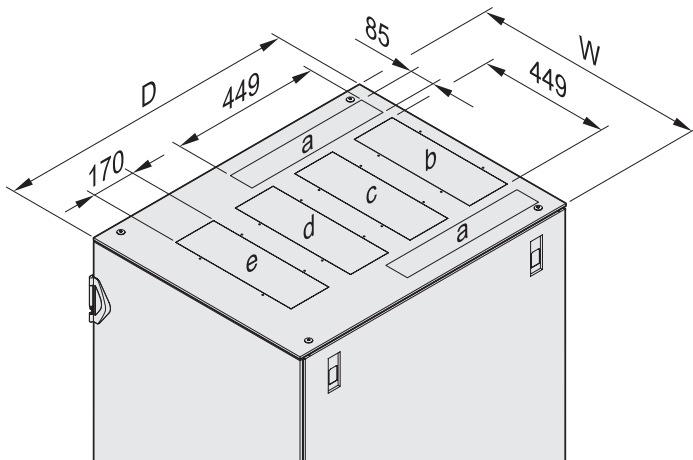


0100408201004156

0100411001004111

Cabinets – VARISTAR platform

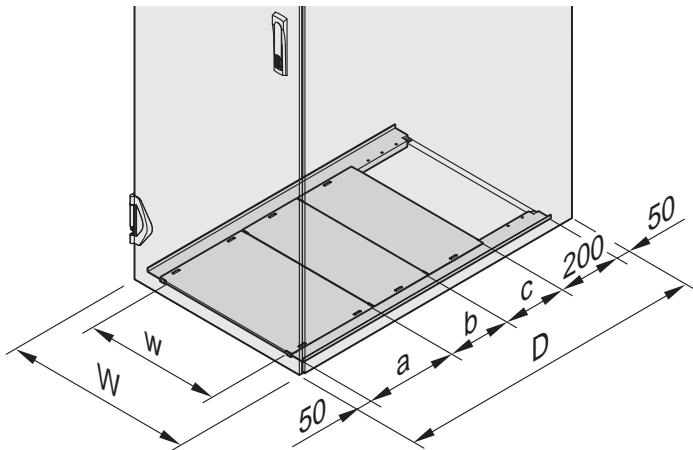
Top cover with cut-out zones



01006097

D	W = 600 mm					W = 800 mm				
	A	B	c	d	E	A	B	c	d	E
600	-	✓	✓	-	-	-	✓	✓	-	-
800	-	✓	✓	✓	-	✓	✓	✓	-	-
900	-	✓	✓	✓	-	✓	✓	✓	✓	-
1000	-	✓	✓	✓	✓	✓	✓	✓	✓	✓
1100	-	✓	✓	✓	✓	✓	✓	✓	✓	✓
1200	-	✓	✓	✓	✓	✓	✓	✓	✓	✓

Base plate, multi-piece



01006096

D	Depth in mm		
	A	B	c
600	300	-	-
800	300	200	-
900	300	300	-
1000	300	200	200
1100	300	300	200
1200	300	300	300

Cabinet width	Opening width
W	w
mm	mm
600	426
800	626

Cabinets – VARISTAR Electronics

VARISTAR IP 20



- With glazed front door
- Doors with single point locking, side panels with quick release fastener
- Type of protection IP 20
- Static load-carrying capacity 400 kg (Slim-Line)

Delivery comprises (assembled)

Item	Qty	Description
1	1	Welded basic frame, Slim-Line, St profile, zinc-plated, powder-coated, RAL 7021
2	4	Adjustable foot, assembled
3	1	Raised top cover, St, RAL 7021, with 10 mm air gap all around
4	1	Front door, glazed, safety glass, 6 mm, 180° hinge, RAL 7035, single point locking, key lock cover
5	1	Rear door, St, 180° hinge, RAL 7035, single point locking, key with safety lock
6	2	Side panel, St, quick-release fastener with safety lock, RAL 7035
7	2	19" panel/slide mount with EIA cut-outs, St, RAL 7035, assembled at front, depth-adjustable in 25 mm increments
8	1	GND/earthing kit, enclosed loose

Order Information

Height U	Height H mm	Width W mm	Depth D mm	Part no.
38	1800	600	600	10130-005
38	1800	600	800	10130-006
42	2000	600	600	10130-007
42	2000	600	800	10130-008

Castors load-carrying capacity 400 kg, PS/St, PU 4 pieces (2 locking, 2 non-locking) **23130-077**

Castors with integrated adjustable feet load-carrying capacity 400 kg, PU 4 pieces (non-locking) **23130-078**

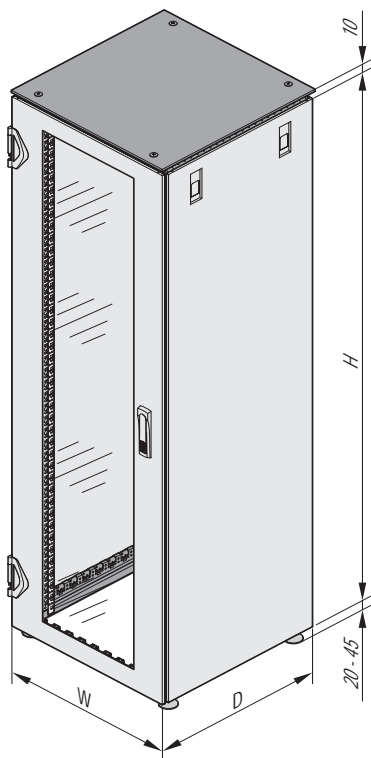
Lever handle for single point locking with push button, 1 piece **23130-067**


DIN profile half cylinder, common locking for lever handle (1 key fits all locks) incl. 2 keys **25127-995**

Lifting eye for raised top cover PU 4 pieces **23130-085**

Note

- Lever handle can be added to the doors
- For other dimensions and versions see ServicePLUS configuration IP 20, from page 1.29
- Please order base plate separately, see page 1.15
- Please order base/plinth separately, see page 1.16
- For assembly of shelves and slide rails another pair of panel/slide mounts is necessary, see page 1.19



 For further information www.schroff.biz/oneclick
oneClick search code = Part no.



ServicePLUS see page 1.28

Cabinets – VARISTAR Electronics

VARISTAR IP 55



01005006



01005014

- With glazed or steel front door
- Doors with 3-point locking and screw-fixed side panels
- Type of protection IP 55
- Static load-carrying capacity 400 kg (Slim-Line)

Delivery comprises (assembled)

Item	Qty	Description
1	1	Welded basic frame, Slim-Line, St profile, zinc-plated, powder-coated, RAL 7021, with all around rubber seals
2	4	Adjustable foot, assembled
3	1	Flat top cover, St, RAL 7021
4	1	Front door, St or glazed, RAL 7035, 180° hinge, 3-point locking, lever handle
5	1	Rear panel, screw fixed, St, RAL 7035
6	2	Side panel, screw fixed, St, RAL 7035
7	1	Base plate, multi-piece, with cover plate, St, RAL 7021, with gasket
8	2	19" panel/slide mount with EIA cut-outs, AlZn, assembled at front, depth-adjustable in 25 mm increments
9	1	GND/earthing kit, enclosed loose

Order Information

Height U	Height H mm	Width W mm	Depth D mm	Description	Part no.
42	2000	600	600	With glazed door	10130-021
42	2000	600	600	With steel door	10130-022
Castors Load-carrying capacity 400 kg, PS/St, PU 4 pieces (2 locking, 2 non-locking)					23130-077
Castors with integrated adjustable feet load-carrying capacity 400 kg, PU 4 pieces (non-locking)					23130-078
DIN profile half cylinder, common locking for lever handle (1 key fits all locks) incl. 2 keys					25127-995
Lifting eye for top cover PU 4 pieces					23130-072

Note

- For other dimensions and versions see ServicePLUS configuration IP 55, from page 1.41
- Please order base/plinth separately, see page 1.16
- For assembly of shelves and slide rails another pair of panel/slide mounts is necessary, see page 1.19



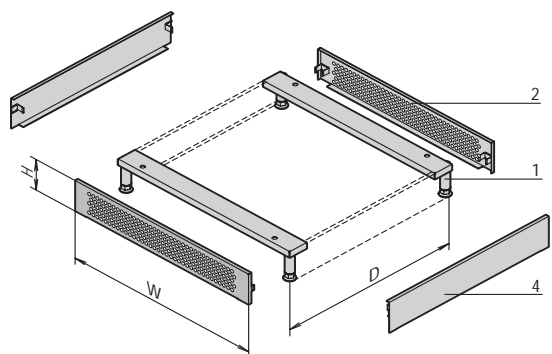
For further information www.schroff.biz/oneclick
oneClick code = Order no.



ServicePLUS see page 1.28

Cabinets – VARISTAR Electronics

Static base/plinth with ventilation



01004110 01004053

- Static load-carrying capacity 1000 kg
- Plinth height H = 100 mm
- Removable covers allow cable entry from all sides
- Cannot be used in conjunction with castors

Delivery comprises (kit)

Item	Qty	Description
1	2	Support with feet, St, 3 mm
2	2	Perforated panel, St, 1.5 mm, RAL 7021
3	1	Assembly kit

Order Information

For cabinet width W mm	Part no.
600	23130-187
Item 4 Side trim height 100 mm, depth 600 mm, PU 2 pieces	23130-169
Item 4 Side trim height 100 mm, depth 800 mm, PU 2 pieces	23130-170

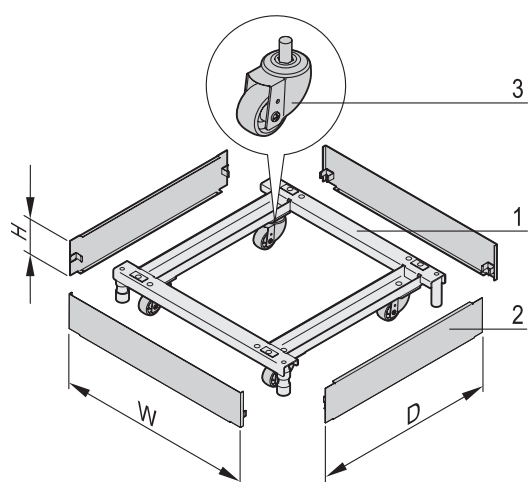
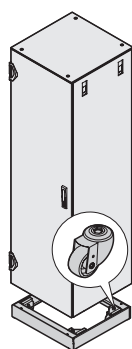
Note

- Please order side trims separately



For further information www.schroff.biz/oneclick
oneClick search code = Part no.

Base/plinth, mobile



0100411101006095

- Load-carrying capacity on castors 400 kg,
on adjustable feet 1000 kg
- Plinth height H = 100 mm
- Adjustable: min. 126 mm - max. 134 mm

Delivery comprises

Item	Qty	Description
1	1	Frame, St, 3 mm, RAL 7021, with adjustable feet
2	4	Trim, St, 1.5 mm, RAL 7021
3	4	Castor
4	1	Assembly kit

Order Information

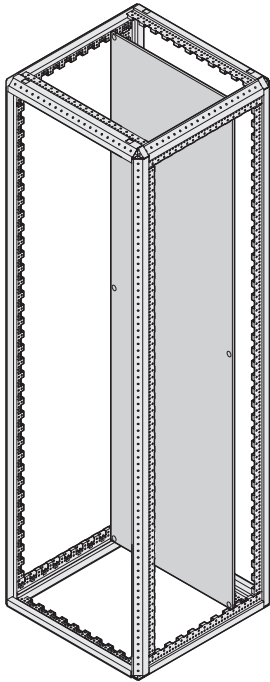
For cabinet width mm	For cabinet depth mm	Part no.
600	600	23130-208
600	800	23130-209



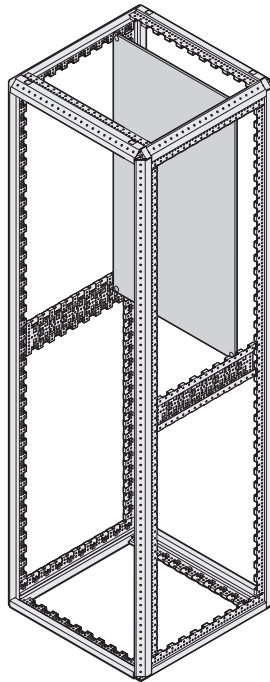
For further information www.schroff.biz/oneclick
oneClick search code = Part no.

Cabinets – VARISTAR Electronics

Mounting plate



Full height



For partial-height mounting

0100805201008053

- For mounting electrical components and sub-assemblies incl. cabling
- Mounting pitch 25 mm in depth and 50 mm in height for partial-height mounting
- Depth members are required for partial-height mounting
- Static load
 - 450 kg at full height, mounted to rear
 - 600 kg at full height, mounted to rear, with additional strengthening brackets

Delivery comprises

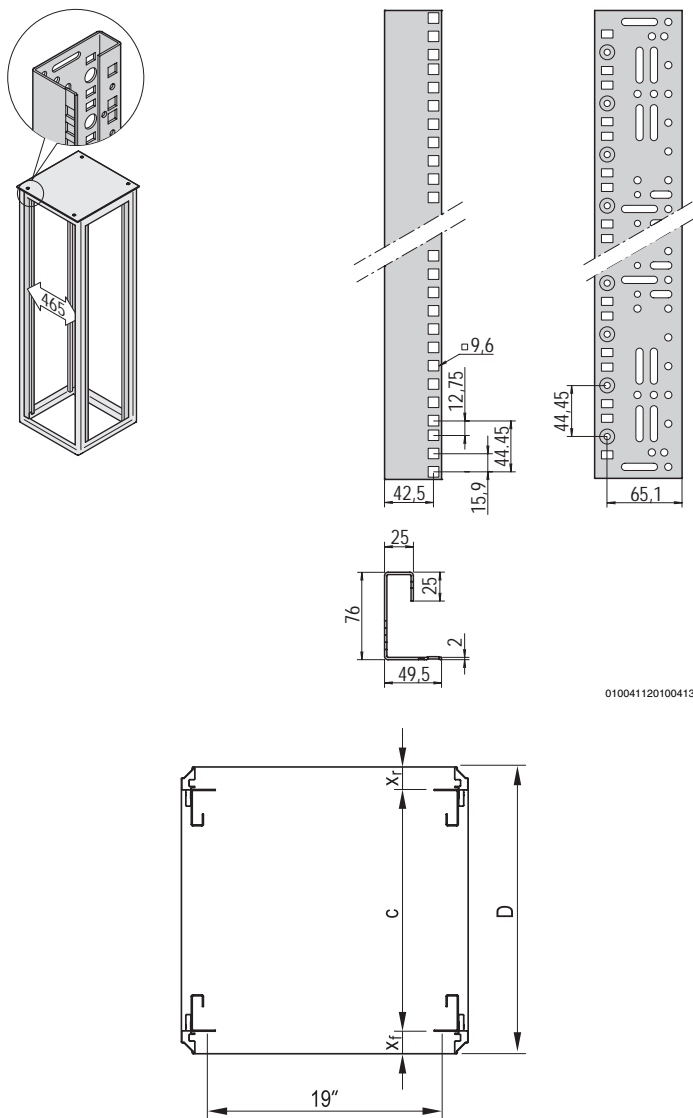
Item	Qty	Description
1	1	Mounting plate, St, 3 mm, zinc-plated
2	1	Assembly kit

Order Information

For cabinet height mm	Width mm	Part no.
1200 for partial-height mounting	600	23130-413
1800	600	23130-405
2000	600	23130-407
Strengthening bracket for mounting plate PU 2 pieces		23130-418
Depth member St, 2 mm, for cabinet depth 600 mm, 2 pieces		23130-081
Depth member St, 2 mm, for cabinet depth 800 mm, 2 pieces		23130-082

Cabinets – VARISTAR Electronics

19" panel/slide mount with universal pitch (EIA)



Standard assembly dimension $x_f = x_f = 50$ mm

- Assembly in 600 mm wide cabinets directly on the frame
- Depth-adjustable in 25 mm increments
- In accordance with IEC 60297-1 (DIN 41 494, part 1)

Delivery comprises

Item	Qty	Description
1	2	19" panel/slide mount, St, 2 mm, finish Al-Zn, RAL 7035 or RAL 7021
2	1	Assembly kit, incl. GND/earthing

Order Information

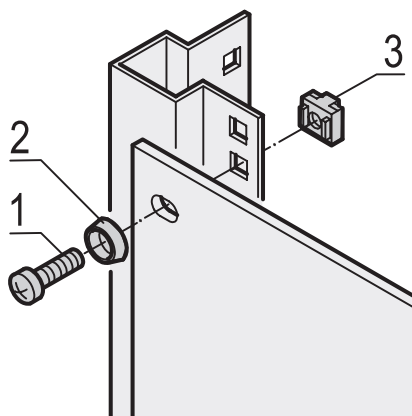
For cabinet height	Usable height	Length	Part no.		
			AIzn	RAL 7035 light grey	RAL 7021
mm	U	mm	Part no.	Part no.	Part no.
	8	395	23130-037	23130-027	23130-017
	12	545	23130-038	23130-028	23130-018
Partial-height	16	745	23130-039	23130-029	23130-019
mounting	20	895	23130-040	23130-030	23130-020
	24	1095	23130-031	23130-021	23130-011
	29	1295	23130-032	23130-022	23130-012
	33	1495	23130-033	23130-023	23130-013
1800	38	1695	23130-034	23130-024	23130-014
2000	42	1895	23130-035	23130-025	23130-015

Dimensions for 19" panel mounts, paper, white, serial numbered from 1 ... 47 U, PU 4 pieces **25127-997**

Note

- For 19" partial-height mounting depth members are necessary
- Metric panel/slide mounts available on request

19" assembly kit, M6



- For assembly of front panels, distribution fields and other components

Delivery comprises

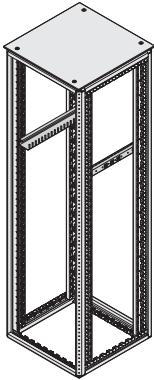
Item	Description
1	Panhead screw, M6 x 16, St, zinc-plated
2	Plastic washer, black
3	Cage nut, M6, St, zinc-plated

Order Information

Description	Qty/PU	Part no.
19" assembly kit (screw, washer, nut)	50	21101-809
19" assembly kit (screw, washer, nut)	100	21101-810

Cabinets – VARISTAR Electronics

Slide rails



- For assembly on 19" panel/slide mounts
- Assembly in 1 U increments (snap-in, bolt-on)
- Wide support surface (48 mm)
- 2 versions
 - Static load-carrying capacity 25 kg per pair
 - Static load-carrying capacity 100 kg per pair

Delivery comprises

Item	Qty	Description
1	see Order information	Slide rail, AlZn, 1.5 mm (load-carrying capacity 25 kg) or 2.5 mm (load-carrying capacity 100 kg), zinc-plated
2	1	Assembly kit incl. GND/earthing

Order Information

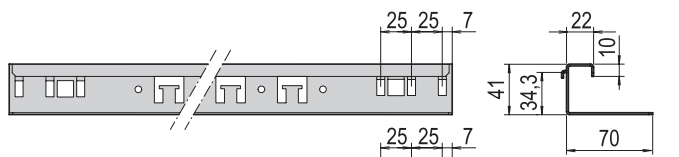
Static load carrying capacity 25 kg

For cabinet depth D	x_f	c	Length L	Qty/PU	Part no.
mm	mm	mm	mm		
600	50	500	456	2	23130-096
600	50	500	456	10	23130-101
800	50	700	656	2	23130-097
800	50	700	656	10	23130-102

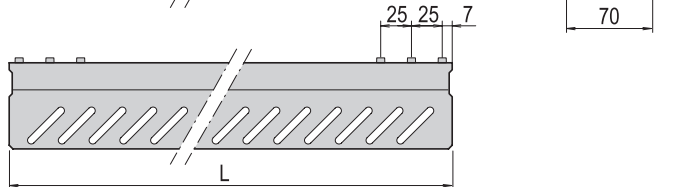
Order Information

Static load carrying capacity 100 kg

For cabinet depth D	x_f	c	Length L	Qty/PU	Part no.
mm	mm	mm	mm		
600	50	500	458	2	23130-118
600	50	500	458	10	23130-123
800	50	700	658	2	23130-119
800	50	700	658	10	23130-124

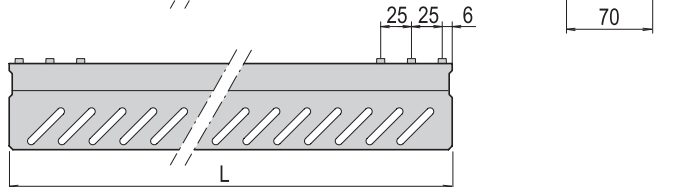
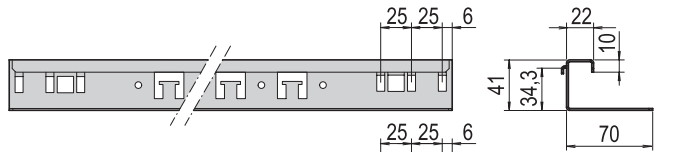


01004056



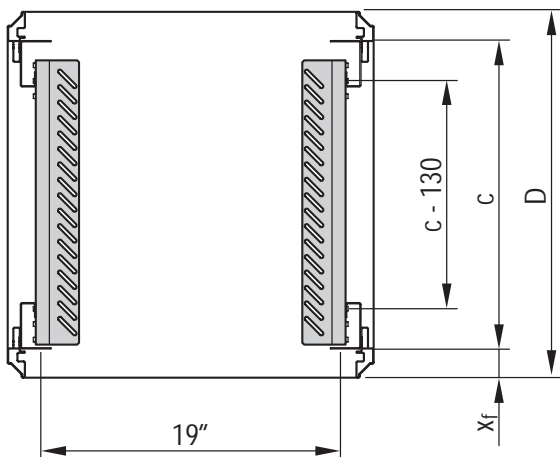
Static load-carrying capacity 25 kg

01005086



Static load-carrying capacity 100 kg

01004058



01004130

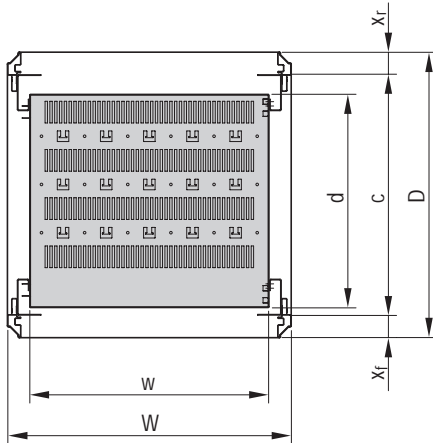
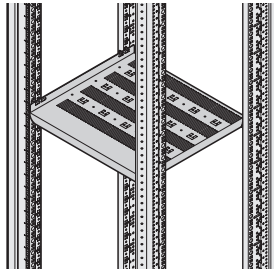
c = pitch of the 19" panel/slide mounts
 x_f = standard dimension
 D = cabinet depth



For further information www.schroff.biz/oneclick
 oneClick search code = Part no.

Cabinets – VARISTAR Electronics

19" fixed shelf, 75 kg



c = max. pitch of the 19" slide mounts
 x_f, x_r = standard assembly pitch

- Static load-carrying capacity 75 kg (150 kg with reinforcement rail)
- Mounting height 1 U, for mounting on four panel/slide mounts
- With hammer head perforation to fix cable ties

Delivery comprises

01004066

Item	Qty	Description
1	1	Perforated shelf, St, 1.5 mm (colour see Order Information)
2	1	Assembly kit incl. GND/earthing

Order Information

For cabinet depth	Usable surface w x d	x_f	c	RAL 7035 light grey	RAL 7021
mm	mm	mm	mm	Part no.	Part no.
600	495 x 442	50	500	22130-303	21130-303
800	495 x 642	50	700	22130-305	21130-305
Strengthening rail for fixed 19" shelf PU 1 piece					23130-310

Note

01004067

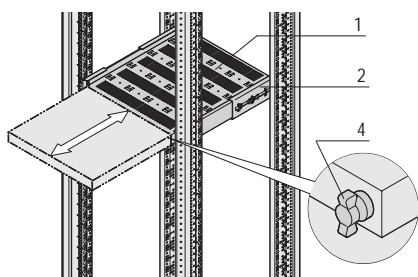
- Cable ducting with cable ties, see page 1.26
- Other sizes, see ServicePLUS, page 1.51



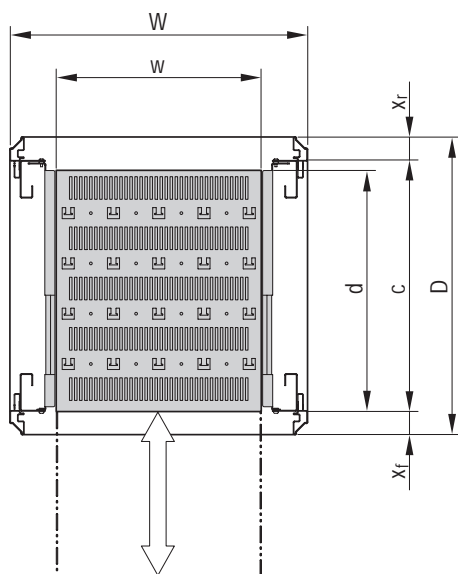
For further information www.schroff.biz/oneclick
 oneClick search code = Part no.

Cabinets – VARISTAR Electronics

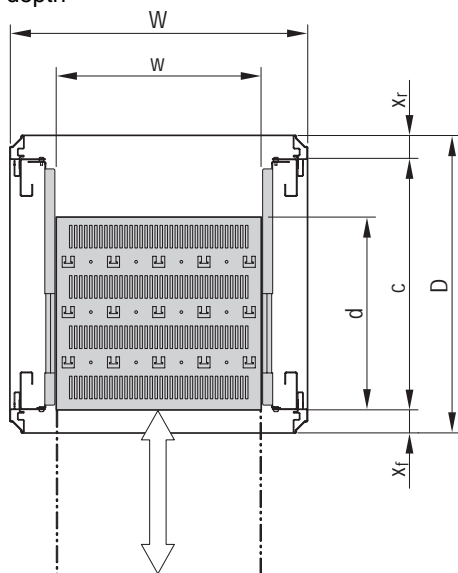
19" telescopic shelf, 70 kg



Full depth



Shortened depth



c = max. pitch of the 19" slide mounts
 x_f, x_r = standard assembly pitch

- Static load-carrying capacity at full extension 70 kg
- Mounting height 2 U, for mounting on four 19" panel/slide mounts
- Incl. telescopic slides
- Locking with T-bar lock possible
- Hammer head perforation to fix cable ties
- 2 versions
 - Full depth
 - Shortened depth by 100 mm for rear cable ducting

01004071

01004069

01004070

Delivery comprises

Item	Qty	Description
1	1	Perforated shelf, St, 1.5 mm (colour see Order Information)
2	2	Telescopic slide
3	1	Assembly kit

Order Information

Full depth

For cabinet depth	Usable surface w x d	x_f	c	RAL 7035	RAL 7021
				Part no.	Part no.
600 mm	405 x 482	50	500	22130-353	21130-353
800	405 x 682	50	700	22130-355	21130-355
Item 4 T-bar lock for one telescopic shelf (on right or left), 1 piece					23130-092
GND/earthing for telescopic 19" shelf PU 1 kit					23130-140

Note

- Please order T-bar lock (item 4) separately
- Cable ducting with cable ties, see page 1.26

Order Information

Shortened by 100 mm

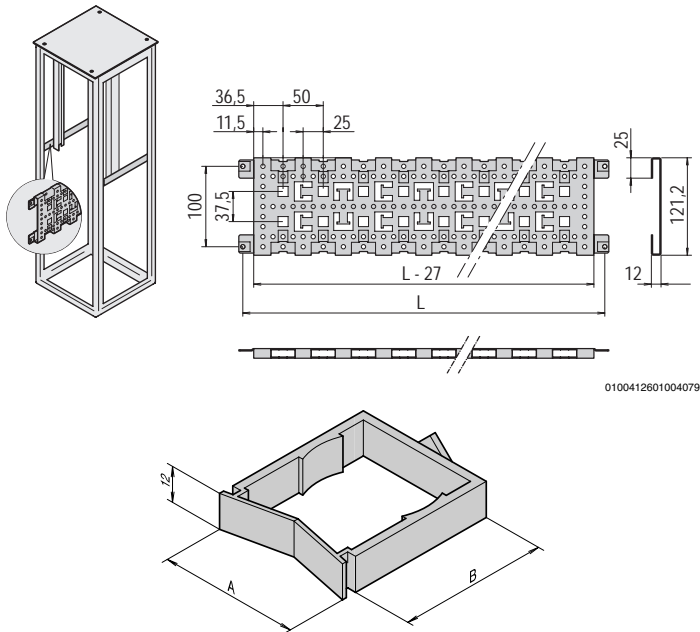
For cabinet depth	Usable surface w x d	x_f	c	RAL 7035	RAL 7021
				Part no.	Part no.
600	405 x 382	50	500	22130-352	21130-352
800	405 x 582	50	700	22130-354	21130-354
Item 4 T-bar lock for one telescopic shelf (on right or left), 1 piece					23130-092
GND/earthing for telescopic 19" shelf PU 1 kit					23130-140

Note

- Please order T-bar lock (item 4) separately
- Cable ducting with cable ties, see page 1.26

Cabinets – VARISTAR Electronics

Depth member



Cable eye

- For mounting of shortened 19" panel/slide mounts and mounting plates
- Cable ducting by means of cable ties and cable eye

Delivery comprises

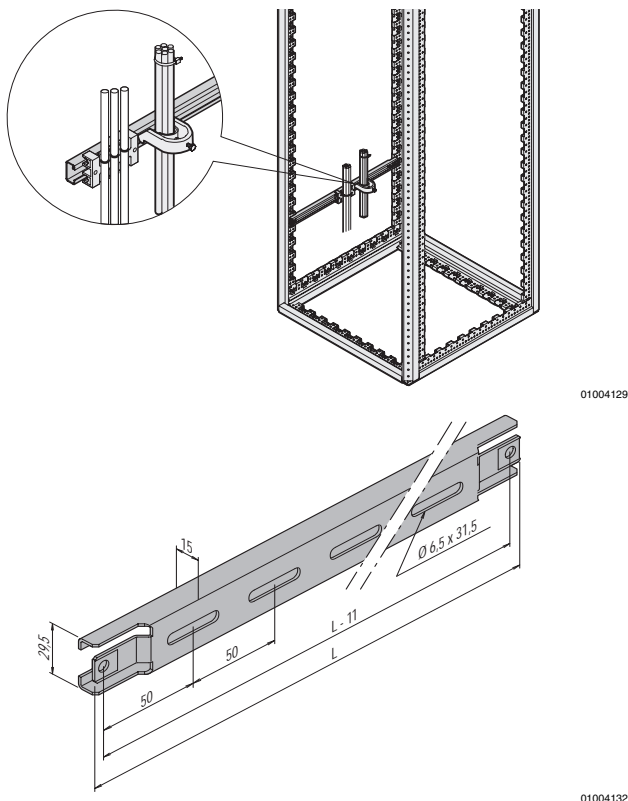
Item	Qty	Description
1	2	Depth member, St, 1.5 mm, finish AlZn
2	1	Assembly kit incl. GND/earthing

Order Information

Description	For cabinet depth mm	Part no.
Depth member	600	23130-081
Depth member	800	23130-082
Cable eye A = 38 mm, B = 25 mm, PU 25 pieces		21101-151
Cable eye A = 47 mm, B = 50 mm, PU 25 pieces		21101-150

- Cable ducting with cable ties, see page 1.26

C-profile for the cabinet depth



- For cable ducting in lateral area of cabinet
- For cable shells and cable retention rails

Delivery comprises

Item	Qty	Description
1	2	C-profile, St, 1.5 mm, AlZn
2	1	Assembly kit incl. GND/earthing

Order Information

For cabinet depth mm	Length L mm	Part no.
600	460	23130-086
800	660	23130-087
Slide nut for C-profiles, PU 10 pieces		21120-140

- Cable shells, see page 1.26
- Cable retention rails, see page 1.25


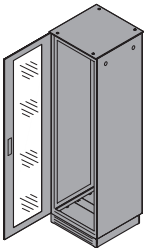
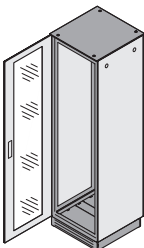
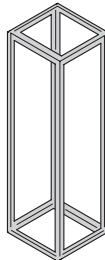
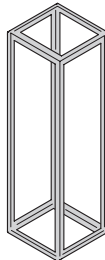
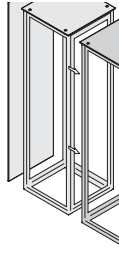
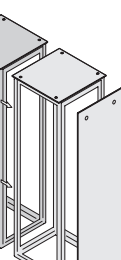
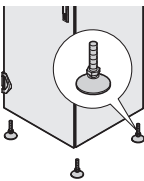
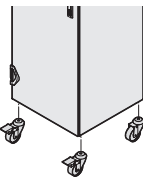
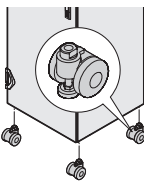


For further information www.schroff.biz/oneclick
oneClick search code = Part no.

Cabinets – VARISTAR Electronics ServicePLUS

VARISTAR IP 20 Frames, side-by-side mounting kits, adjustable feet, castors

Order Information

		Cabinet dimensions		Frames		Side-by-side kit	Side-by-side kit	Adjustable feet	Castors		
				Slim-Line 400 kg	Heavy-Duty 800 kg	without gasket	with IP 55 gasket		2 locking, 2 non-locking	Adjustable castors	
 <p>Completely in RAL 7021 (black grey)</p>  <p>Colour combination RAL 7035 (light grey)/RAL 7021 (black grey)</p> 		 <p>01004078</p> <p>static load-carrying capacity: 400 kg, St, 1.5 mm, zinc-plated, with central GND/earthing point, please order adjustable feet or castors separately 1 piece assembled</p>		 <p>01004078</p> <p>static load-carrying capacity: 800 kg, St, 1.5 mm, zinc-plated, with central GND/earthing point, please order adjustable feet or castors separately 1 piece assembled</p>		 <p>side-by-side mounting bracket (4 pieces), St; not in combination with decorative frame</p> <p>PU 1 kit supplied loose</p>	 <p>side-by-side mounting bracket (4 pieces), St, incl. gasket to cover the gap between two frames; not in combination with decorative frame</p> <p>PU 1 kit supplied loose</p>	 <p>for the frame: static load-carrying capacity: 1000 kg, cannot be used with plinth</p> <p>PU 4 pieces assembled</p>	 <p>for the frame: static load-carrying capacity 400 kg; cannot be used with base/plinth</p> <p>PU 4 pieces</p>	 <p>for the frame: static load-carrying capacity 400 kg; cannot be used with base/plinth</p> <p>PU 4 pieces</p>	
No.	U	mm	mm	mm	RAL 7021	RAL 7021	RAL 7021	RAL 7021			
Completely in RAL 7021											
1	29	1400	600	600	20130-005	20130-055	23130-061	23130-062	23130-079	23130-077	23130-078
2	29	1400	600	800	20130-006	20130-056					
3	33	1600	600	600	20130-009	20130-059	23130-061	23130-062	23130-079	23130-077	23130-078
4	33	1600	600	800	20130-010	20130-060					
5	38	1800	600	600	20130-013	20130-063	23130-061	23130-062	23130-079	23130-077	23130-078
6	38	1800	600	800	20130-014	20130-064					
7	38	1800	800	600	20130-015	20130-065	23130-061	23130-062	23130-079	23130-077	23130-078
8	42	2000	600	300	20130-017	–	23130-061	23130-062	23130-079	23130-077	23130-078
9	42	2000	600	600	20130-018	20130-068					
10	42	2000	600	800	20130-019	20130-069	23130-061	23130-062	23130-079	23130-077	23130-078
11	42	2000	800	600	20130-022	20130-072					
12	42	2000	800	800	20130-023	20130-073	23130-061	23130-062	23130-079	23130-077	23130-078
13	47	2200	600	300	20130-026	–	23130-061	23130-062	23130-079	23130-077	23130-078
14	47	2200	600	600	20130-027	20130-077					
15	47	2200	600	800	20130-028	20130-078	23130-061	23130-062	23130-079	23130-077	23130-078
16	47	2200	800	800	20130-032	20130-082	23130-061	23130-062	23130-079	23130-077	23130-078
Colour combinations					RAL 7021	RAL 7021	RAL 7021	RAL 7021			
17	29	1400	600	600	20130-005	20130-055					
18	29	1400	600	800	20130-006	20130-056	23130-061	23130-062	23130-079	23130-077	23130-078
19	33	1600	600	600	20130-009	20130-059					
20	33	1600	600	800	20130-010	20130-060	23130-061	23130-062	23130-079	23130-077	23130-078
21	38	1800	600	600	20130-013	20130-063					
22	38	1800	600	800	20130-014	20130-064	23130-061	23130-062	23130-079	23130-077	23130-078
23	38	1800	800	600	20130-015	20130-065	23130-061	23130-062	23130-079	23130-077	23130-078
24	42	2000	600	300	20130-017	–	23130-061	23130-062	23130-079	23130-077	23130-078
25	42	2000	600	600	20130-018	20130-068					
26	42	2000	600	800	20130-019	20130-069	23130-061	23130-062	23130-079	23130-077	23130-078
27	42	2000	800	600	20130-022	20130-072					
28	42	2000	800	800	20130-023	20130-073	23130-061	23130-062	23130-079	23130-077	23130-078
29	47	2200	600	300	20130-026	–	23130-061	23130-062	23130-079	23130-077	23130-078
30	47	2200	600	600	20130-027	20130-077					
31	47	2200	600	800	20130-028	20130-078	23130-061	23130-062	23130-079	23130-077	23130-078
32	47	2200	800	800	20130-032	20130-082	23130-061	23130-062	23130-079	23130-077	23130-078

Cabinets – VARISTAR Electronics ServicePLUS

VARISTAR IP 20 Flat top cover assemblies with cut-out zones

Order Information

Cabinet dimensions				Top cover assemblies							
				Brush strip	Fan insert	Thermostat	Cover plate, perforated	Edge protection	Lifting eye		
No.	U	mm	Depth	1 piece assembled	PU 2 pieces assembled	1 piece assembled	1 piece assembled	1 piece assembled	1 piece enclosed loose	PU 4 pieces assembled	
Completely in RAL 7021				RAL 7021	RAL 7021		RAL 7021				
1	29	1400	600	21130-252		23130-069	23130-070	20118-750	23130-071	28127-281	23130-072
2	29	1400	600	21130-253		23130-069	23130-070	20118-750	23130-071	28127-281	23130-072
3	33	1600	600	21130-252		23130-069	23130-070	20118-750	23130-071	28127-281	23130-072
4	33	1600	600	21130-253		23130-069	23130-070	20118-750	23130-071	28127-281	23130-072
5	38	1800	600	21130-252		23130-069	23130-070	20118-750	23130-071	28127-281	23130-072
6	38	1800	600	21130-253		23130-069	23130-070	20118-750	23130-071	28127-281	23130-072
7	38	1800	800	21130-256		23130-069	23130-070	20118-750	23130-071	28127-281	23130-072
8	42	2000	600	–	–	–	–	–	–	–	–
9	42	2000	600	21130-252		23130-069	23130-070	20118-750	23130-071	28127-281	23130-072
10	42	2000	600	21130-253		23130-069	23130-070	20118-750	23130-071	28127-281	23130-072
11	42	2000	800	21130-256		23130-069	23130-070	20118-750	23130-071	28127-281	23130-072
12	42	2000	800	21130-257		23130-069	23130-070	20118-750	23130-071	28127-281	23130-072
13	47	2200	600	–	–	–	–	–	–	–	–
14	47	2200	600	21130-252		23130-069	23130-070	20118-750	23130-071	28127-281	23130-072
15	47	2200	600	21130-253		23130-069	23130-070	20118-750	23130-071	28127-281	23130-072
16	47	2200	800	21130-257		23130-069	23130-070	20118-750	23130-071	28127-281	23130-072
Colour combinations				RAL 7021	RAL 7021				RAL 7021		
17	29	1400	600	21130-252		23130-069	23130-070	20118-750	23130-071	28127-281	23130-072
18	29	1400	600	21130-253		23130-069	23130-070	20118-750	23130-071	28127-281	23130-072
19	33	1600	600	21130-252		23130-069	23130-070	20118-750	23130-071	28127-281	23130-072
20	33	1600	600	21130-253		23130-069	23130-070	20118-750	23130-071	28127-281	23130-072
21	38	1800	600	21130-252		23130-069	23130-070	20118-750	23130-071	28127-281	23130-072
22	38	1800	600	21130-253		23130-069	23130-070	20118-750	23130-071	28127-281	23130-072
23	38	1800	800	21130-256		23130-069	23130-070	20118-750	23130-071	28127-281	23130-072
24	42	2000	600	–	–	–	–	–	–	–	–
25	42	2000	600	21130-252		23130-069	23130-070	20118-750	23130-071	28127-281	23130-072
26	42	2000	600	21130-253		23130-069	23130-070	20118-750	23130-071	28127-281	23130-072
27	42	2000	800	21130-256		23130-069	23130-070	20118-750	23130-071	28127-281	23130-072
28	42	2000	800	21130-257		23130-069	23130-070	20118-750	23130-071	28127-281	23130-072
29	47	2200	600	–	–	–	–	–	–	–	–
30	47	2200	600	21130-252		23130-069	23130-070	20118-750	23130-071	28127-281	23130-072
31	47	2200	600	21130-253		23130-069	23130-070	20118-750	23130-071	28127-281	23130-072
32	47	2200	800	21130-257		23130-069	23130-070	20118-750	23130-071	28127-281	23130-072