



## Introduction to the 145 Profile Router

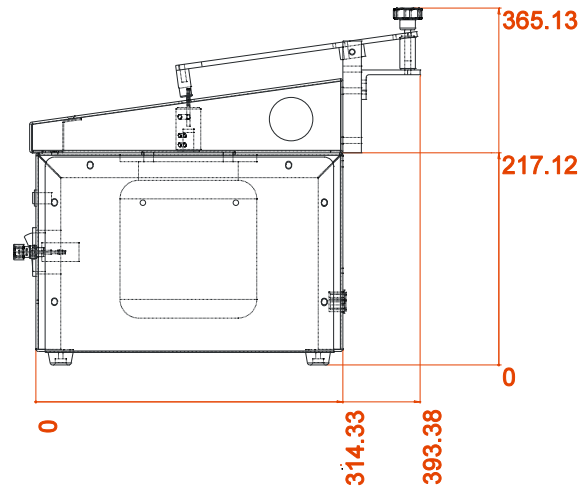
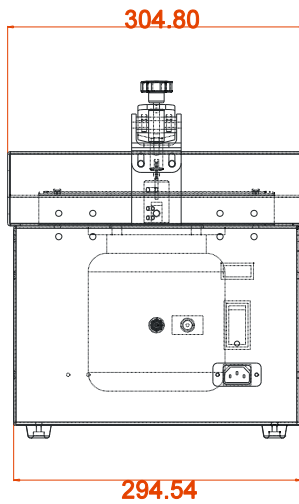
The trimming of vacuum formed mouldings can be a laborious and skilled process. This can make it difficult, especially in a classroom environment.

The 145 is designed specially for the trimming of mouldings, up to a thickness of 3mm.

The machine consists of a standard two pole electric motor, mounted beneath the work table. The motor is fitted with an adapter, to accept a 3.18mm carbide slot drill. The cutter is covered by a spring loaded guard, which also acts as a material clamp and a guide. The fence can be moved to trim mouldings either with or without a flange.

Using the 145, mouldings can be trimmed quickly, accurately and safely.

## Machine Dimensions (mm)



## Specifications

Voltage 230V 50-60Hz  
Max Current 2 Amps

Max Materials Thickness 3mm  
Cutting Speed 2850 rev/min  
Cutting Tool Carbide Slot Drill 3.18mm Diameter

Dimensions (Packed) 46 x 44 x 46cm

Weight (Bare Machine) 14kg  
Weight (Packed) 14kg

**CR CLARKE**

Unit 3, Foundry Road, Ammanford, Carmarthenshire, SA18 2LS  
Tel: +44(0)1269 590530, Fax: +44 (0)1269 590540  
[WWW.CRCLARKE.COM](http://WWW.CRCLARKE.COM)