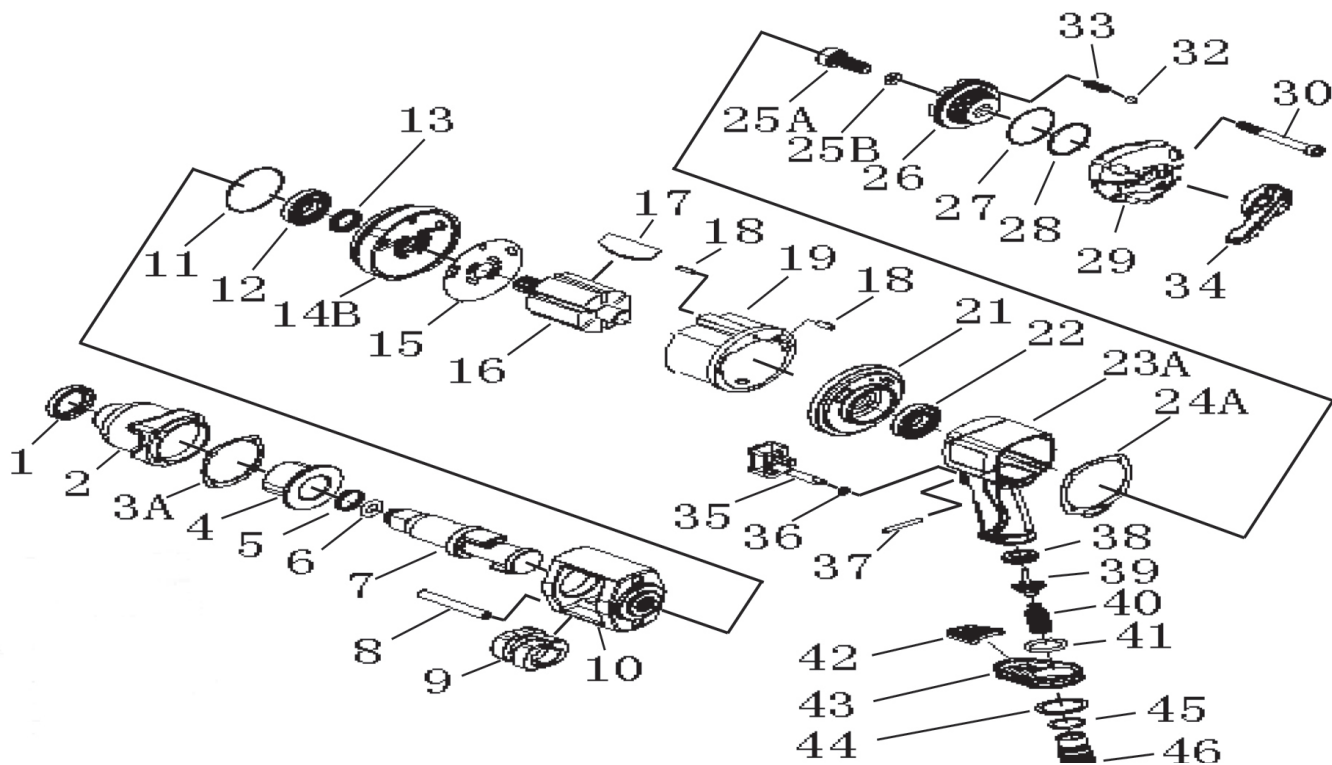




Parts Information:
**Composite Air Impact Wrench 1/2" Sq Drive
 Twin Hammer**
Model No: GSA6006



Item	Part No.	Description
1	GSA6006.01	OIL SEAL
2	GSA6006.02	HAMMER CASE
3A	GSA6006.03A	FRONT GASKET
4	GSA6006.04	ANVIL BUSHING
5	GSA6006.05	SOCKET RETAINER
6	GSA6006.06	O-RING
7	GSA6006.07	ANVIL
8	GSA6006.08	HAMMER PIN
9	GSA6006.09	HAMMER DOG
10	GSA6006.10	HAMMER CAGE
11	GSA6006.11	O-RING
12	B/R8	BEARING R8
13	GSA6006.13	OIL SEAL
14B	GSA6006.14B	FRONT END PLATE
15	GSA6006.15	DISC
16	GSA6006.16	ROTOR
17	GSA6006.17	ROTOR BLADE
18	GSA6006.18	SPRING PIN
19	GSA6006.19	CYLINDER
21	GSA6006.21	REAR END PLATE
22	B/6001ZZ	BEARING 6001ZZ
23A	GSA6006.23A	MOTOR HOUSING
24	GSA6006.24A	REAR GASKET

Item	Part No.	Description
25A	GSA6006.25A	SCREW
25B	GSA6006.25B	O-RING
26	GSA6006.26	REVERSE VALVE
27	GSA6006.27	O-RING
28	GSA6006.28	O-RING
29	GSA6006.29	REAR COVER
30	GSA6006.30	SCREW
32	GSA6006.32	STEEL BALL
33	GSA6006.33	SPRING
34	GSA6006.34	REVERSE LEVER
35	GSA6006.35	TRIGGER
36	GSA6006.36	O-RING
37	GSA6006.37	SPRING PIN
38	GSA6006.38	VALVE SEAT
39	GSA6006.39	THROTTLE VALVE
40	GSA6006.40	VALVE SPRING
41	GSA6006.41	O-RING
42	GSA6006.42	MUFFLER
43	GSA6006.43	EXHAUST DEFLECTOR
44	GSA6006.44	SEALING WASHER BLACK
45	GSA6006.45	O-RING
46	GSA6006.46	HOSE ADAPTOR

NOTE: It is our policy to continually improve products and as such we reserve the right to alter data, specifications and component parts without prior notice.

IMPORTANT: No liability is accepted for incorrect use of product.

WARRANTY: Guarantee is 12 months from purchase date, proof of which will be required for any claim.

Sealey Group, Kempson Way, Suffolk Business Park, Bury St Edmunds, Suffolk. IP32 7AR



01284 757500



01284 703534



sales@sealey.co.uk



www.sealey.co.uk