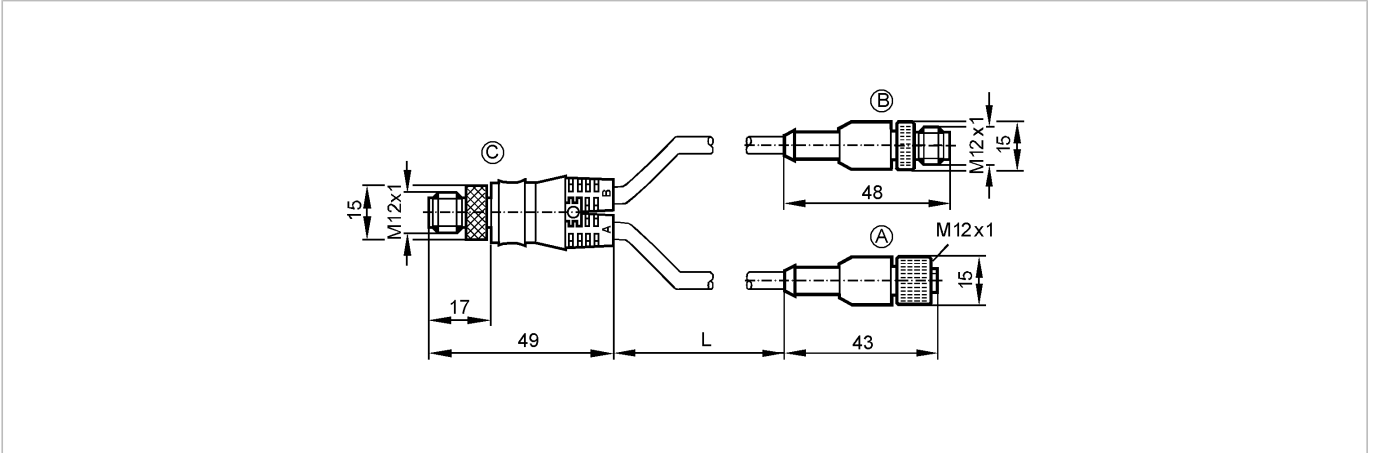




YDOGHO80MSS0.15H08STGH040MSS

Connection technology



Product characteristics

Y connection cable

M12-plug / 1x M12-plug + 1x M12-socket

Free from halogen

Electrical data

Electrical design

AC/DC

Operating voltage [V]

30 AC / 36 DC

Environment

Ambient temperature [°C]

-25...80

Protection

IP 68

Mechanical data

Design

straight

Material body

PUR

Material nut

Brass; nickel-plated

Weight [kg]

0.065

Electrical connection

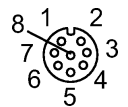
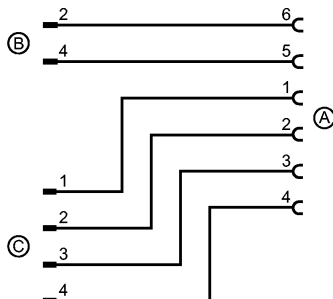
Connection

PUR cable / 0.15 m; 8 x 0.25 mm<sup>2</sup>; Ø 6.2 mm; halogen-free

Sheath colour

black

Wiring



Remarks

Pack quantity

[piece]

1