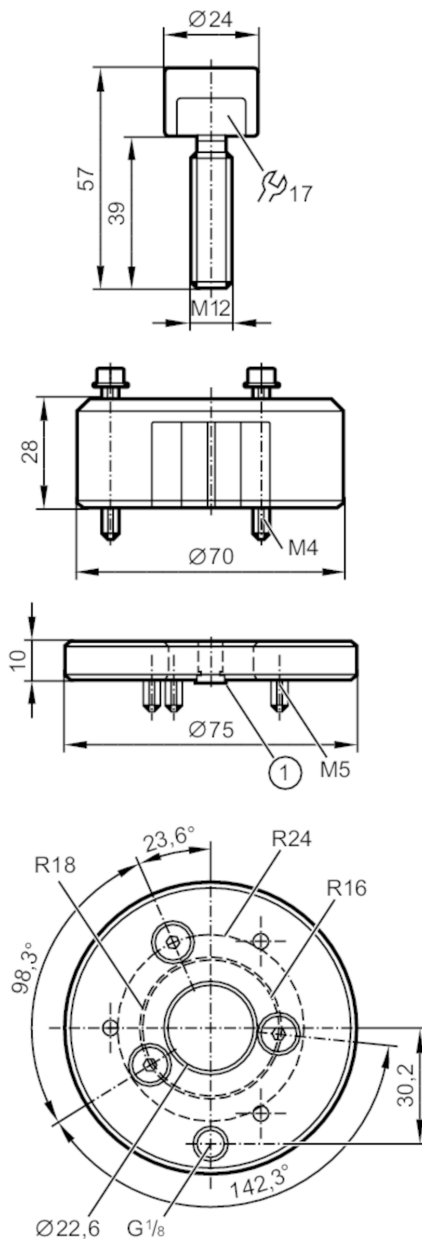


E12501



Mounting adapter for position sensors used on rising stem valves

VALVIS ADAPTER 21



1 Sealing

Application	
Design	for SPX/APV valves type butterfly valves
Mechanical data	
Weight [g]	500.5
Materials	flange: stainless steel; spacer: POM; Target: stainless steel (1.4404 / 316L); Sealing: FKM 80 Shore A
Accessories	
Accessories (supplied)	cylinder screws: 3 x M4 x 40 A2
	washers: 3 x A4,3
	countersunk screws: 3 x M5 x 16 A2
	Sealing: 1 x 7,5 x 1,5

E12501



Mounting adapter for position sensors used on rising stem valves

VALVIS ADAPTER 21

Remarks

Pack quantity	1 pcs.
---------------	--------