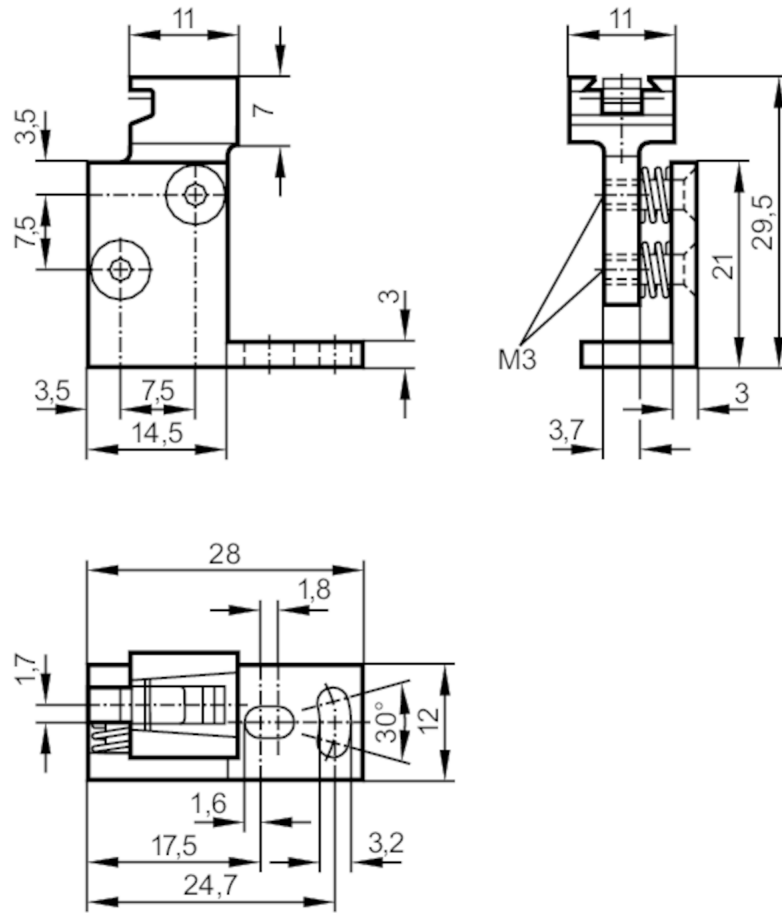


E20975



Fixture for mounting and fine adjustment of laser sensors

SYSTEM COMPONENT OJ LASER



Application	
Design	for front lens
Mechanical data	
Weight [g]	35.5
Dimensions [mm]	29.5 x 12 x 28
Materials	diecast zinc
Alignment range	fine adjustment in 2 axes $\pm 2^\circ$
Remarks	
Pack quantity	1 pcs.