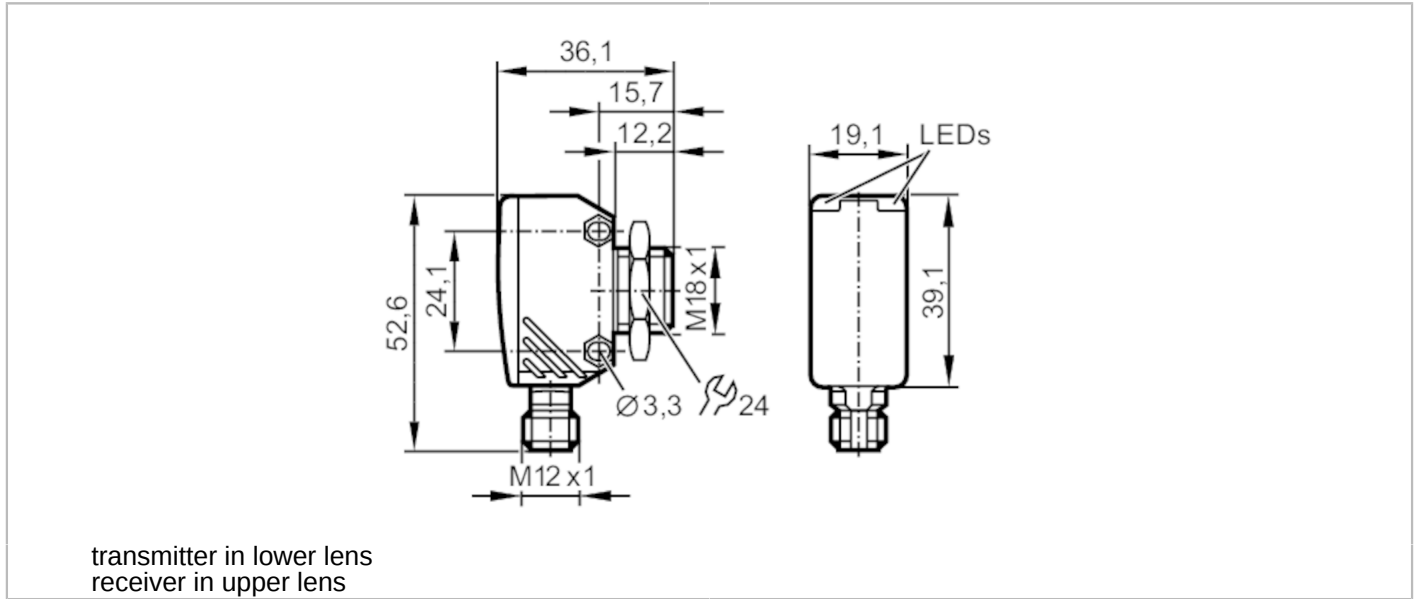


OGE280



Through-beam sensor receiver

OGE-DPKG/US/CUBE



Product characteristics	
Type of light	red light
Communication interface	IO-Link
Housing	rectangular
Dimensions [mm]	M18 x 1
Application	
Function principle	Through-beam sensor
Electrical data	
Operating voltage [V]	10...30 DC; ("supply class 2" to cULus)
Rated insulation voltage [V]	32
Current consumption [mA]	16
Protection class	III
Reverse polarity protection	yes
Max. power-on delay time [ms]	300
Type of light	red light
Wave length [nm]	662
Outputs	
Electrical design	PNP
Output function	dark-on mode
Max. voltage drop switching output DC [V]	2.5
Permanent current rating of switching output DC [mA]	200
Switching frequency DC [Hz]	1000
Short-circuit protection	yes
Type of short-circuit protection	pulsed

OGE280



Through-beam sensor receiver

OGE-DPKG/US/CUBE

Detection zone		
Transmitter / receiver		receiver
Range [m]		20
Range adjustable		no
Interfaces		
Communication interface		IO-Link
Transmission type		COM2 (38,4 kBaud)
IO-Link revision		1.1
SDCI standard		IEC 61131-9
IO-Link device ID		1130 d / 00 04 6A h
Profiles		Smart Sensor: Device Identification; Device Diagnosis; Teach Channel; Switching Channel
SIO mode		yes
Required master port type		A
Min. process cycle time [ms]		2.5
IO-Link functions (cyclical)	function	bit length
	device status	4
	binary switching information	1
IO-Link functions (acyclical)	application specific tag; operating hours counter; switching cycles counter	
Note	For further information please see the IODD PDF file at "Downloads"	
Operating conditions		
Ambient temperature [°C]		-25...60
Storage temperature [°C]		-40...60
Protection		IP 67
Tests / approvals		
EMC	EN 60947-5-2	
MTTF [years]	961	
UL approval	Ta	-25...60 °C
	Enclosure type	Type 1
	voltage supply	Class 2
	File number UL	E174191
Mechanical data		
Weight [g]	69	
Housing	rectangular	
Dimensions [mm]	M18 x 1	
Thread designation	M18 x 1	
Materials	diecast zinc; PEI	
Lens material	PMMA	
Displays / operating elements		
Display	switching status	1 x LED, yellow
	operation	1 x LED, green
Accessories		
Accessories (supplied)	lock nut: 1 x	
Remarks		
Pack quantity	1 pcs.	

OGE280



Through-beam sensor receiver

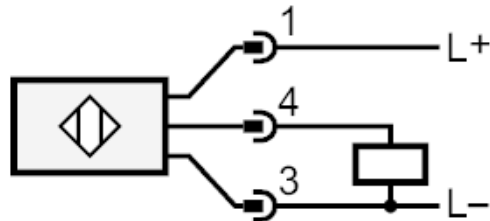
OGE-DPKG/US/CUBE

Electrical connection

Connector: 1 x M12



Connection





Through-beam sensor receiver

OGE-DPKG/US/CUBE

Diagrams and graphs

excess gain graph

