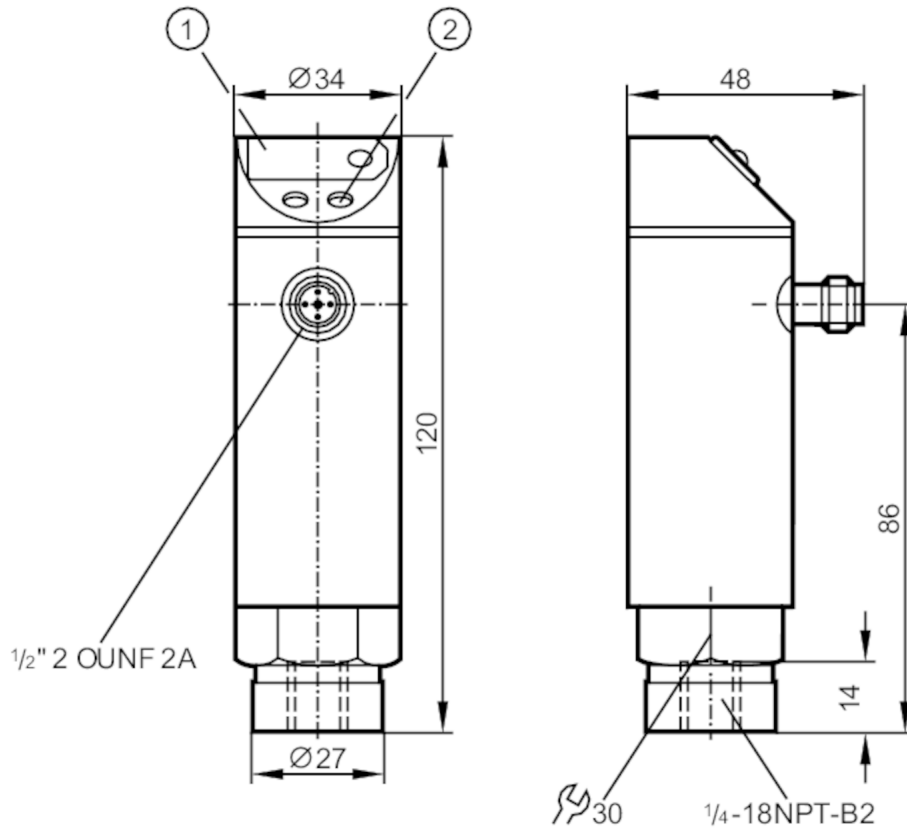


PN4226



Pressure sensor with display

PN-2,5-RBN14-HFBOWLS/ IV



- 1 7-segment LED display
- 2 programming button



Product characteristics

Output signal	switching signal			
Measuring range	0...2.5 bar	0...2500 mbar	0...36.3 psi	0...250 kPa
Process connection	threaded connection 1/4 NPT internal thread			

Application

Application	for industrial applications		
Media	liquids and gases		
Medium temperature [°C]	-25...80		
Pressure rating	20 bar	290 psi	2000 kPa
Min. bursting pressure	50 bar	725 psi	5000 kPa
Type of pressure	relative pressure		

PN4226



Pressure sensor with display

PN-2,5-RBN14-HFBOWLS/ IV

Electrical data				
Operating voltage tolerance	[%]			5...10
Operating voltage	[V]			85...265 AC
Nominal voltage AC	[V]			< 250
Current consumption	[mA]			< 10
Min. insulation resistance	[MΩ]			100; (500 V DC)
Protection class				II
Reverse polarity protection				no
Power-on delay time	[s]			0.2
Integrated watchdog				yes
Inputs / outputs				
Number of inputs and outputs				Number of digital outputs: 1
Outputs				
Total number of outputs				1
Output signal				switching signal
Electrical design				Triac
Number of digital outputs				1
Output function				normally open / normally closed; (parameterisable)
Max. voltage drop switching output AC	[V]			2
Permanent current rating of switching output AC	[mA]			250; ((...70 °C) 1000 (...60 °C) 1500 (...45 °C) 2500 (...20 °C))
Switching frequency AC	[Hz]			< 160
Short-circuit proof				no
Overload protection				no
Measuring/setting range				
Measuring range		0...2.5 bar	0...2500 mbar	0...36.3 psi
				0...250 kPa
Set point SP		0.02...2.5 bar		0.4...36.3 psi
				2...250 kPa
Reset point rP		0.01...2.49 bar		0.2...36.2 psi
				1...249 kPa
In steps of		0.01 bar		0.1 psi
				1 kPa
Accuracy / deviations				
Switch point accuracy	[% of the span]			< ± 1,0
Repeatability	[% of the span]			< ± 0,1; (with temperature fluctuations < 10 K)
Linearity deviation	[% of the span]			< ± 0,5
Hysteresis deviation	[% of the span]			< ± 0,1
Long-term stability	[% of the span]			< ± 0,1; (per year)
Temperature coefficient zero point	[% of the span / 10 K]			< ± 0,2; (-25...80 °C)
Temperature coefficient span	[% of the span / 10 K]			< ± 0,3; (-25...80 °C)

PN4226



Pressure sensor with display

PN-2,5-RBN14-HFBOWLS/ IV

Response times		
Delay time programmable dS, dr [s]		0, 0,2,...10, 11,...50
Damping for the switching output dAP [s]		0...4
Software / programming		
Adjustment of the switch point		programming button
Parameter setting options		hysteresis / window; normally open / normally closed; switch-on/switch-off delay; Damping; adaptation of displayed values; display can be rotated and switched off; Display unit
Operating conditions		
Ambient temperature [°C]		-25...80
Storage temperature [°C]		-40...100
Protection		IP 65
Tests / approvals		
EMC	EN 61000-4-2 ESD	4 kV CD / 8 kV AD
	EN 61000-4-3 HF radiated	10 V/m
	EN 61000-4-4 Burst	2 kV
	EN 61000-4-6 HF conducted	10 V
Shock resistance	DIN IEC 68-2-27	50 g (11 ms)
Vibration resistance	DIN IEC 68-2-6	20 g (10...2000 Hz)
MTTF [years]		224.58
Pressure Equipment Directive		Sound engineering practice; can be used for group 2 fluids; group 1 fluids on request
Mechanical data		
Weight [g]		389
Materials		stainless steel (1.4301 / 304); PC; PBT; PA; FKM
Materials (wetted parts)		stainless steel (1.4305 / 303); ceramics; FKM
Min. pressure cycles		100 million
Process connection		threaded connection 1/4 NPT internal thread
Restrictor element integrated		no (can be retrofitted)
Displays / operating elements		
Display	switching status	LED, red
	function display	7-segment LED display
	measured values	7-segment LED display
Electrical connection		
Required protection		miniature fuse to IEC60127-2 sheet 1; ≤ 5 A; fast acting
Remarks		
Remarks		n.c. = not used
		\$
Pack quantity		1 pcs.
Electrical connection		
Connector: 1 x 1/2"		

PN4226

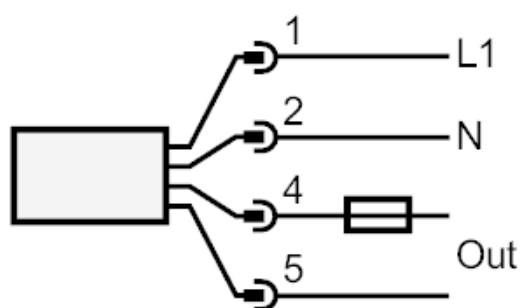


Pressure sensor with display

PN-2,5-RBN14-HFBOWLS/ IV



Connection



Note miniature fuse to IEC60127-2 sheet 1 \leq 5 A fast acting