



Model Number

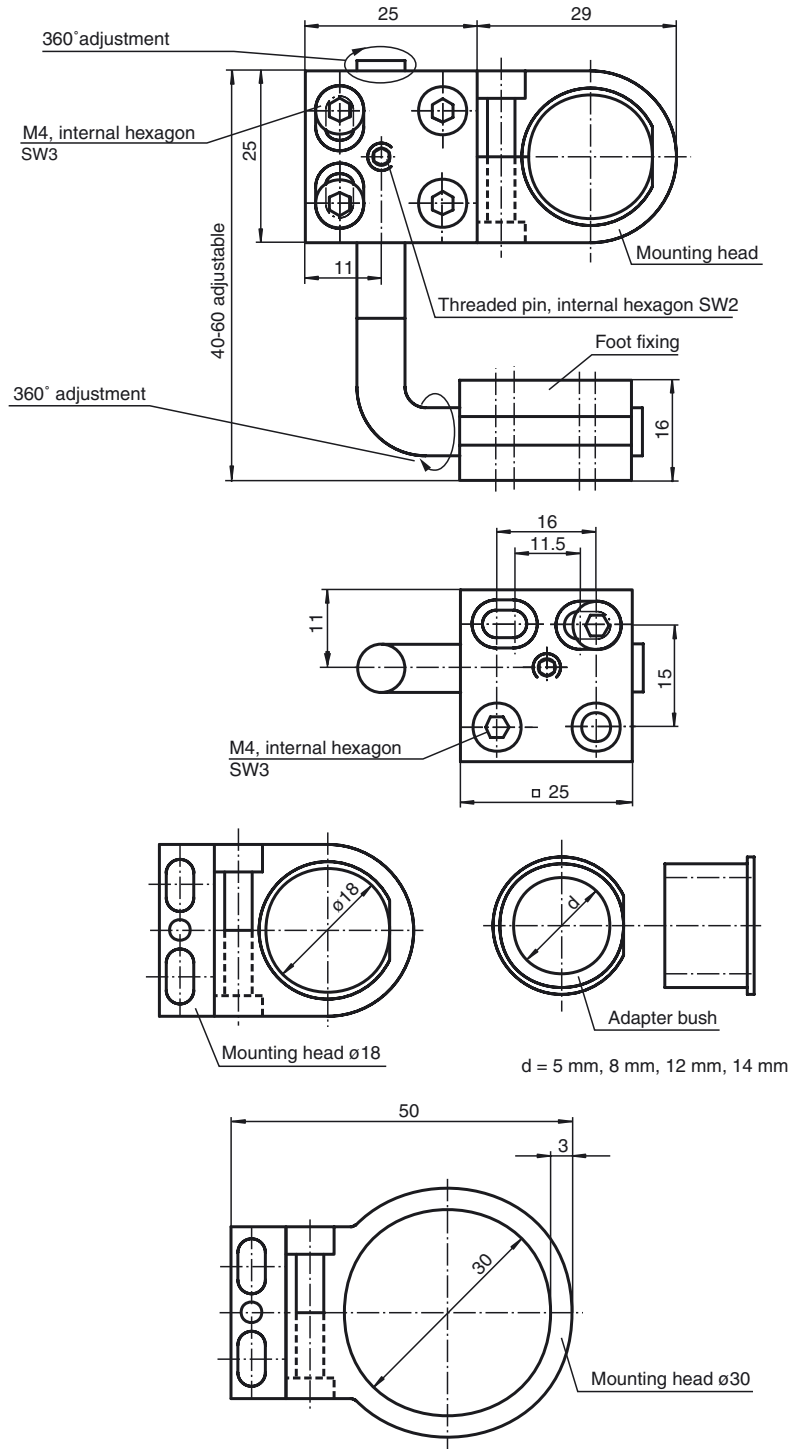
BF 5-30

Universal mounting holder for cylindrical sensors with a diameter of 5 ... 30 mm

Features

- Secure fixing
- Simple mounting
- Mounting head and foot fixing may be independently rotated through 360°
- Robust construction

Dimensions



Technical data

Ambient conditions

Ambient temperature -25 ... 85 °C (248 ... 358 K)

Mechanical specifications

Note Also suited for threaded photodetectors in series KT10, GLV12, VL18, 18GM60, CP18 and GLV30.

Note

The mounting adapter is supplied with 2 mounting heads ($\varnothing 18 \text{ mm}, \varnothing 30 \text{ mm}$) and 4 adapter bushes ($\varnothing 5 \text{ mm}, \varnothing 8 \text{ mm}, \varnothing 12 \text{ mm}, \varnothing 14 \text{ mm}$).