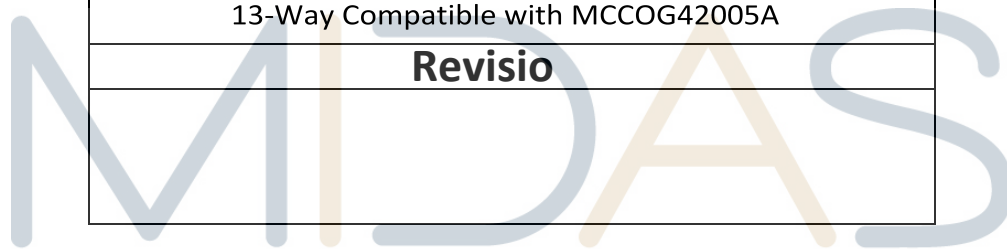
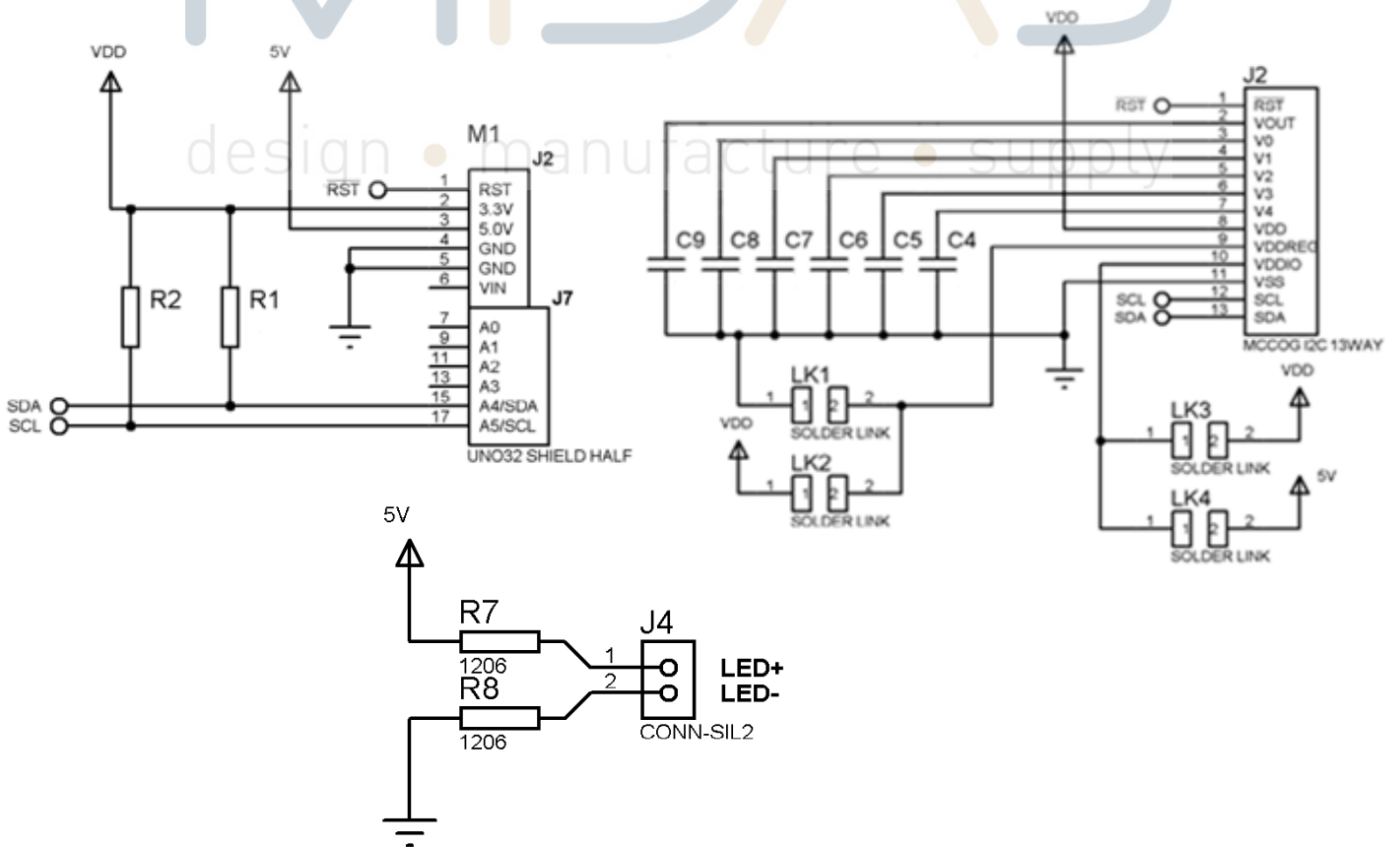
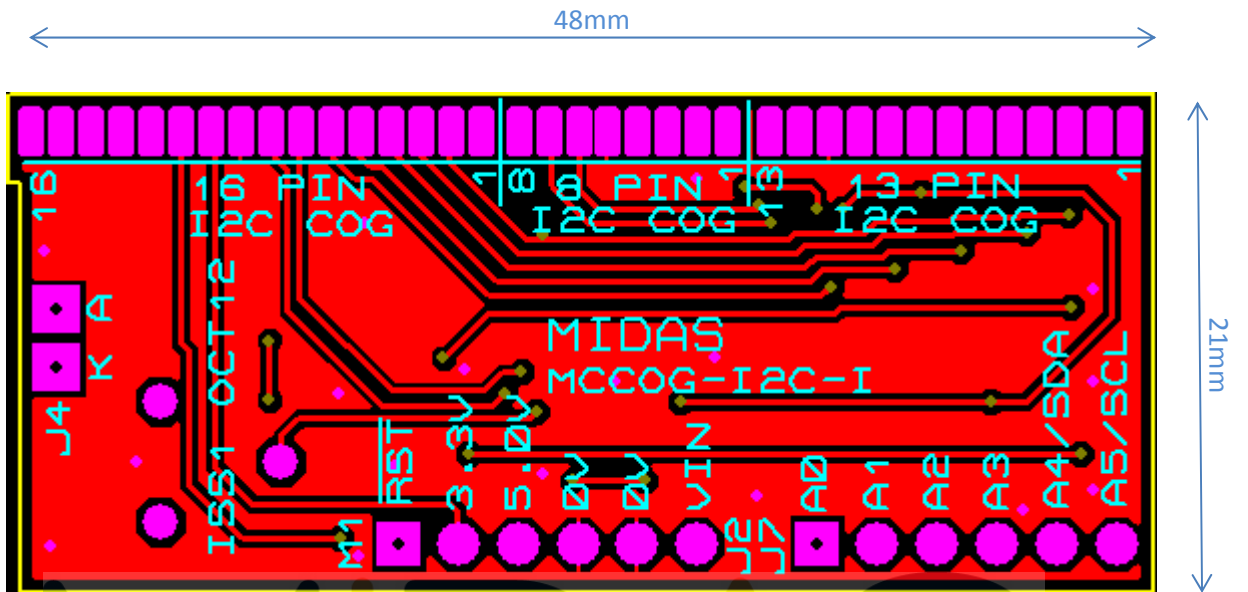


| Specification | |
|------------------------------------|----------------|
| Part Number: | MCCOG-I2C-I-13 |
| Version: | 1 |
| Date: | 17/03/2015 |
| V | |
| 13-Way Compatible with MCCOG42005A | |
| Revisio | |
| | |







| Component | Value | Reference |
|-----------|-------|-----------|
| Capacitor | 1uF | C4 |
| Capacitor | 1uF | C5 |
| Capacitor | 1uF | C6 |
| Capacitor | 1uF | C7 |
| Capacitor | 1uF | C8 |
| Capacitor | 1uF | C9 |
| Resistor | 4.7kΩ | R1 |
| Resistor | 4.7kΩ | R2 |