



## OD7015 Series Datasheets

DC Fan

70 x 15mm (2.76 x .60in)

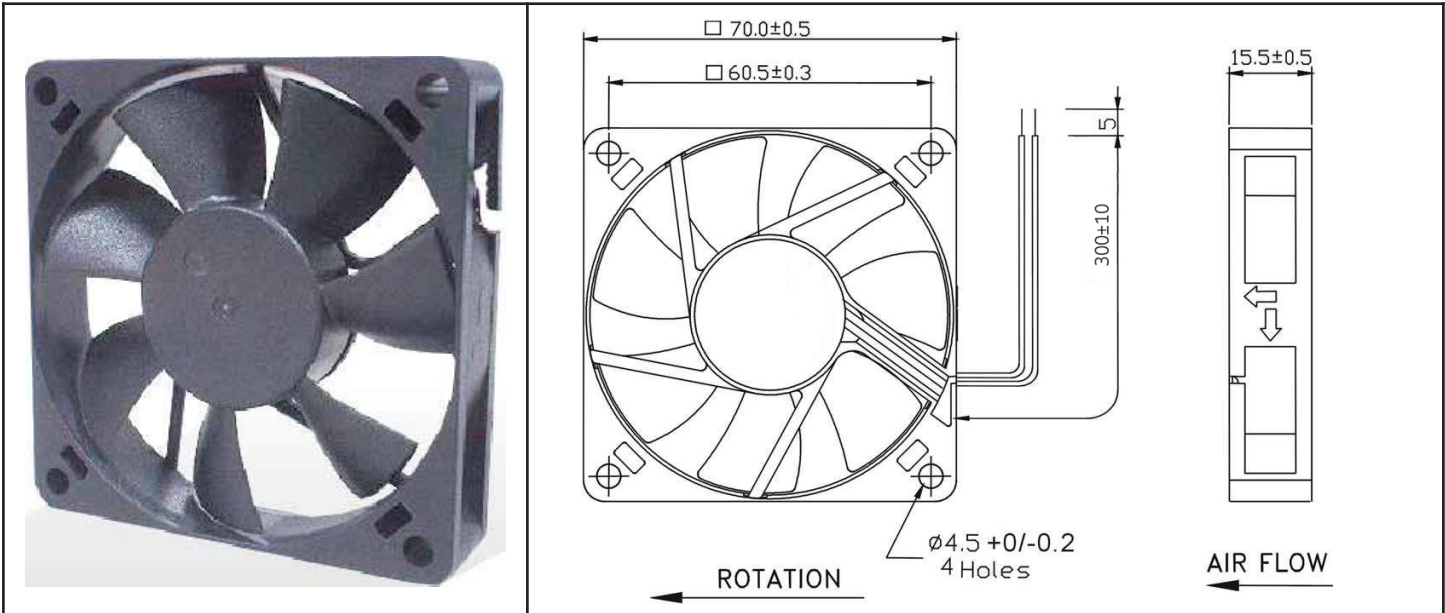


Model #	Pg #	Voltage	RPM	CFM	Noise Level	Max Static Pressure
OD7015-12MB	2	12 VDC	3500	28.5	37 dB	.15 H <sub>2</sub> O
OD7015-12HHB01A	3	12 VDC	5500	41	44.5 dB	.26 H <sub>2</sub> O

# OD7015-12MB



DC Fan, 12VDC  
70x15mm (2.76x.60in)



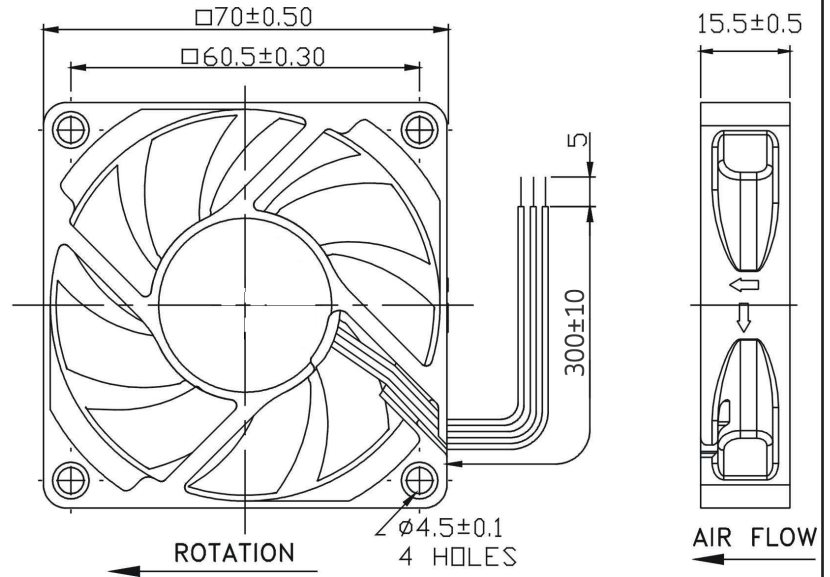
Frame & Impeller	PBT, UL94V-0 plastic	<u>Available Options</u> IP55 Other speeds and voltages Tachometer Alarm  *Connection: Wire Leads - UL1007 24AWG Red(+), Black (-),  Weight: 61 g	
Connection	2x Lead wires *		
Motor	Brushless DC, auto restart, polarity protected.		
Bearing System	Dual ball bearing		
Insulation Resistance	Min. 10M at 500VDC		
Dielectric Strength	1 second at 500VAC max leakage 500 microamp		
Temperature Range	-10C ~ +70C		
Storage Temperature	-40C ~ +80C		
Life (L10)	70,000 hours (40C)		

Model Number	OD7015-12MB
Part Number	112131001
Nominal Voltage	12 VDC
Voltage Range	7~13.2 VDC
Nominal Current	.16 A
Rated Power	2.16 Watts
Rated Speed (RPM)	3500
Airflow (CFM)	28.5
Noise Level (dB)	37
Max. Static Pressure	.15 "H <sub>2</sub> O

# OD7015-12HHB01A



DC Fan, 12VDC  
70x15mm (2.76x.60in)



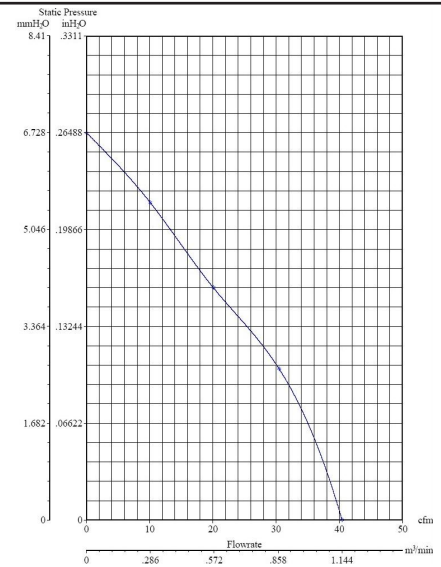
Frame & Impeller	PBT, UL94V-0 plastic
Connection	3x Lead wires *
Motor	Brushless DC, auto restart, polarity protected.
Bearing System	Dual ball bearing
Insulation Resistance	Min. 10M at 500VDC
Dielectric Strength	1 second at 500VAC max leakage 500 microamp
Temperature Range	-10C ~ +70C
Storage Temperature	-40C ~ +80C
Life (L10)	70,000 hours (40C)

Available Options

IP55  
Other speeds and voltages  
Alarm

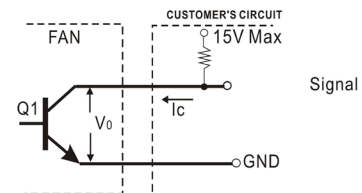
\*Connection:  
Wire Leads - UL1007  
24AWG Red(+), Black (-),  
White Tachometer

Weight: 61 g



Model Number	OD7015-12HHB01A
Part Number	112151221
Nominal Voltage	12 VDC
Voltage Range	7~13.2 VDC
Nominal Current	.26 A
Rated Power	4.32 Watts
Rated Speed (RPM)	5500
Airflow (CFM)	41
Noise Level (dB)	44.5
Max. Static Pressure	.26 "H <sub>2</sub> O

\*Output type.....Open collector type  
\*Electrical design suggestion:  
(External signal function design is decided by customer)



\*Transistor Q1 at "ON" position  
Collector current.....I<sub>c</sub>=10mA Max  
Saturation Voltage.....V<sub>OL</sub>=1.0V Max  
(Between Collector and Emitter at I<sub>c</sub>=10mA)  
\*Transistor Q1 at "OFF" position  
Release Voltage.....V<sub>OH</sub>=15V Max