

## Precision Levelling Adjusters

### Precision Adjusters MN 686.3

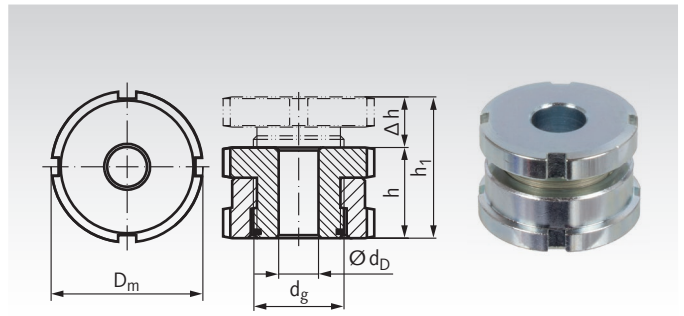
**Material:**

**Standard version:** 42CrMo4V, No. 1.7225, zinc-plated and blue passivated.

**Stainless version:** Stainless steel 1.4301 (AISI 304).



- For parallel surfaces.
- Low overall height with short adjustment travel.
- Without lock nut.



Ordering Details: e.g.: Product No. 686 305 00, MN 686.3 15-6.6 standard

Product No. standard	Product No. stainless	Type	matching screw	h mm	h1 mm	Δh mm	D <sub>m</sub> mm	d <sub>g</sub> mm	d <sub>D</sub> mm	F <sub>tot.</sub> * kN	F <sub>add.</sub> * kN	Weight g
686 305 00	686 993 05	MN 686.3 15-6,6	M6	15	19	4	25	M15x1,0	6,6	40	30,7	40
686 310 00	686 993 10	MN 686.3 20-6,6	M6	18	23	5	32	M20x1,0	6,6	65	55,7	85
686 315 00	686 993 15	MN 686.3 20-9,0	M8	18	23	5	32	M20x1,0	9,0	65	48,0	81
686 320 00	686 993 20	MN 686.3 20-11,0	M10	18	23	5	32	M20x1,0	11,0	65	37,9	77
686 325 00	686 993 25	MN 686.3 30-11,0	M10	22	29	7	45	M30x1,5	11,0	120	92,9	206
686 330 00	686 993 30	MN 686.3 30-13,5	M12	22	29	7	45	M30x1,5	13,5	120	80,4	198
686 335 00	686 993 35	MN 686.3 30-17,5	M16	22	29	7	45	M30x1,5	17,5	120	45,5	182
686 340 00	686 993 40	MN 686.3 40-17,5	M16	28	37	9	58	M40x1,5	17,5	210	136,0	419
686 345 00	686 993 45	MN 686.3 40-22,0	M20	28	37	9	58	M40x1,5	22,0	210	90,0	390
686 350 00	686 993 50	MN 686.3 40-26,0	M24	28	37	9	58	M40x1,5	26,0	210	37,0	356
686 355 00	686 993 55	MN 686.3 50-22,0	M20	33	43	10	70	M50x1,5	22,0	330	210,0	748
686 360 00	686 993 60	MN 686.3 50-26,0	M24	33	43	10	70	M50x1,5	26,0	330	157,0	710
686 365 00	686 993 65	MN 686.3 50-33,0	M30	33	43	10	70	M50x1,5	33,0	330	53,0	629
686 370 00	686 993 70	MN 686.3 60-26,0	M24	38	50	12	80	M60x2,0	26,0	495	322,0	1102
686 375 00	686 993 75	MN 686.3 60-33,0	M30	38	50	12	80	M60x2,0	33,0	495	218,0	1011
686 380 00	686 993 80	MN 686.3 60-39,0	M36	38	50	12	80	M60x2,0	39,0	495	101,0	906

Other sizes on request.

### Precision Adjusters MN 686.6

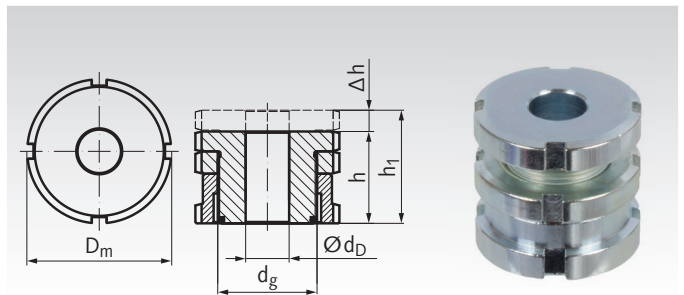
**Material:**

**Standard version:** 42CrMo4V, No. 1.7225, zinc-plated and blue passivated.

**Stainless version:** Stainless steel 1.4301 (AISI 304).



- For parallel surfaces.
- Low overall height with short adjustment travel.
- With lock nut.



Ordering Details: e.g.: Product No. 686 605 00, MN 686.6 15-6.6 standard

Product No. standard	Product No. stainless	Type	matching screw	h mm	h1 mm	Δh mm	D <sub>m</sub> mm	d <sub>g</sub> mm	d <sub>D</sub> mm	F <sub>tot.</sub> * kN	F <sub>add.</sub> * kN	Weight g
686 605 00	686 996 05	MN 686.6 15-6,6	M6	20	24	4	25	M15x1,0	6,6	40	30,7	54
686 610 00	686 996 10	MN 686.6 20-6,6	M6	24	29	5	32	M20x1,0	6,6	65	55,7	117
686 615 00	686 996 15	MN 686.6 20-9,0	M8	24	29	5	32	M20x1,0	9,0	65	48,0	111
686 620 00	686 996 20	MN 686.6 20-11,0	M10	24	29	5	32	M20x1,0	11,0	65	37,9	104
686 625 00	686 996 25	MN 686.6 30-11,0	M10	29	36	7	45	M30x1,5	11,0	120	92,9	274
686 630 00	686 996 30	MN 686.6 30-13,5	M12	29	36	7	45	M30x1,5	13,5	120	80,4	265
686 635 00	686 996 35	MN 686.6 30-17,5	M16	29	36	7	45	M30x1,5	17,5	120	45,5	241
686 640 00	686 996 40	MN 686.6 40-17,5	M16	37	46	9	58	M40x1,5	17,5	210	136,0	570
686 645 00	686 996 45	MN 686.6 40-22,0	M20	37	46	9	58	M40x1,5	22,0	210	90,0	528
686 650 00	686 996 50	MN 686.6 40-26,0	M24	37	46	9	58	M40x1,5	26,0	210	37,0	486
686 655 00	686 996 55	MN 686.6 50-22,0	M20	44	54	10	70	M50x1,5	22,0	330	210,0	1023
686 660 00	686 996 60	MN 686.6 50-26,0	M24	44	54	10	70	M50x1,5	26,0	330	157,0	965
686 665 00	686 996 65	MN 686.6 50-33,0	M30	44	54	10	70	M50x1,5	33,0	330	53,0	858
686 670 00	686 996 70	MN 686.6 60-26,0	M24	49	61	12	80	M60x2,0	26,0	495	322,0	1459
686 675 00	686 996 75	MN 686.6 60-33,0	M30	49	61	12	80	M60x2,0	33,0	495	218,0	1325
686 680 00	686 996 80	MN 686.6 60-39,0	M36	49	61	12	80	M60x2,0	39,0	495	101,0	1199

Other sizes on request.

\* Values apply to standard version. Values for stainless version, see page 766.

F<sub>tot.</sub> = max. load. (incl. preload from any mounting screw).

F<sub>add.</sub> = Load after subtracting the preload of any mounting screw.