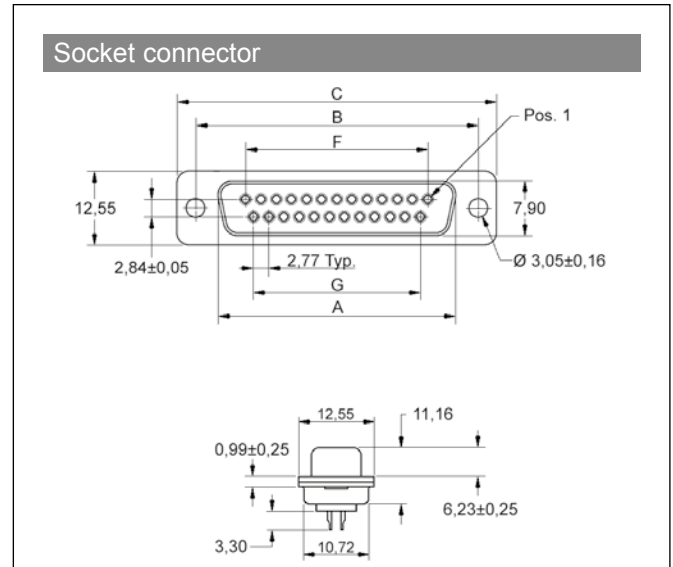
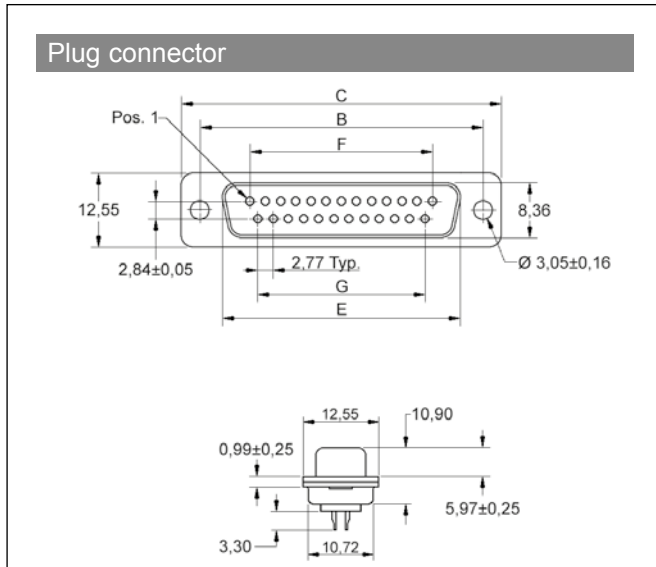


## MHDB-MHDM-Series – Solder Cup

### Material Specification:

Insulator:	Glass filled Polyester, Black UL94 V-0
Shell:	Stamped Steel, Tin Plated
Contact pins:	Copper Alloy
Stamped & Formed Pins	Class 3, 100 inserts min. <b>(DB)</b>
Machined Pins:	Class 1, 500 inserts min. <b>(DM)</b>
Contact Plating:	Selective Gold over Nickel



Size	A	B	C	E	F	G
9	16,33	24,99	30,81	16,92	11,08	8,31
15	24,66	33,32	39,14	25,25	19,39	16,62
25	38,38	47,04	53,04	38,96	33,24	30,47
37	54,84	63,50	69,32	55,25	49,86	47,09
50*	Available on request					

### Order Codes:

Plug Connector		Stamped & Formed
09	2101-0180-01	MHDB09-SP
15	2101-0180-02	MHDB15-SP
25	2101-0180-03	MHDB25-SP
37	2101-0180-04	MHDB37-SP
50	2101-0180-05	MHDB50-SP

Socket Connector		Stamped & Formed
09	2101-0180-11	MHDB09-SS
15	2101-0180-12	MHDB15-SS
25	2101-0180-13	MHDB25-SS
37	2101-0180-14	MHDB37-SS
50	2101-0180-15	MHDB50-SS

Plug Connector		Machined Contacts
09	2101-0200-01	MHDM09-SP
15	2101-0200-02	MHDM15-SP
25	2101-0200-03	MHDM25-SP
37	2101-0200-04	MHDM37-SP
50	On request	

Socket Connector		Machined Contacts
09	2101-0200-11	MHDM09-SS
15	2101-0200-12	MHDM15-SS
25	2101-0200-13	MHDM25-SS
37	2101-0200-14	MHDM37-SS
50	On request	