



CTAM and CTAP, MB and TY Cable Tie Mounts

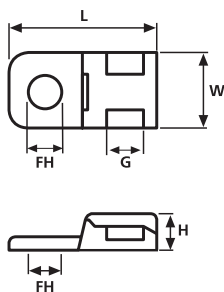
Features and Benefits

CTAM and CTAP mounts are suitable for applications with minimal space. They are mounted onto the equipment prior to cable installation as they are installed "in line" and take up no more space than the cable itself.

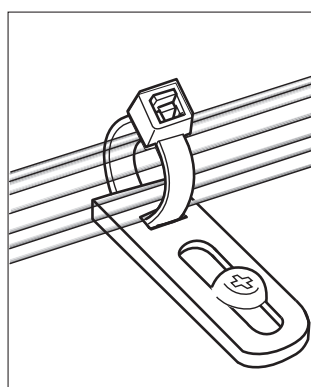
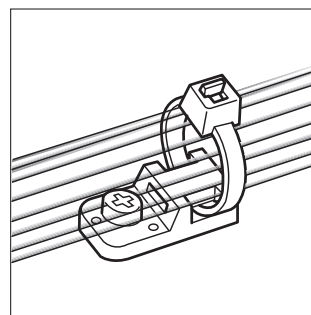
The CTAM has a "4-way" entry design and can be used either "in line" or at 90 degrees to the cable run. The CTAP mounts offer an adjustable 'stand off' feature allowing the cable run to be precisely positioned.

Application

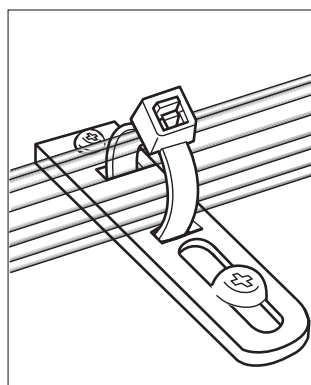
Each of these products offer particular benefits, but all are designed for simple, yet robust, installation in a wide variety of applications. Particularly used in telecoms equipment, switchgear and control cabinets.



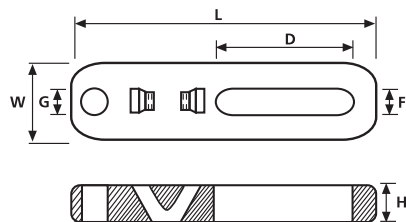
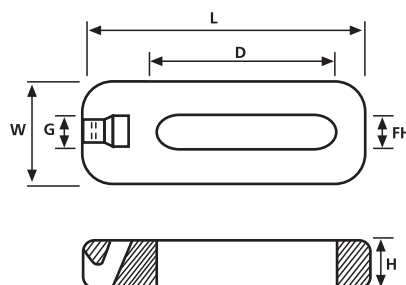
Cable Tie Mounts CTAM1/CTAM2



Cable Tie Mounts CTAP1



Cable Tie Mounts CTAP2



Material Data	
Material	Polyamide 6.6 (PA66)
Operating Temperature	-40 °C to +85 °C Continuous, (+105 °C for 500 h)
Flammability	UL94 V2



Technical Table

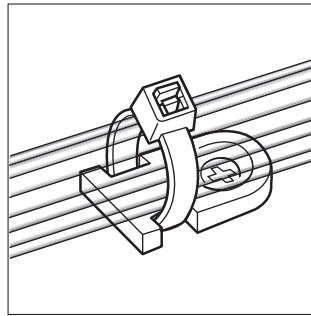
Article-No.	Type	Length (L)	Width (W)	Height (H)	Fixing Hole Ø (FH)	Strap Width max. (G)	Material	Colour
151-31109	CTAM1	20.4	10.2	5.1	4.3	4.6	PA66	Natural (NA)
151-31209	CTAM2	20.4	10.2	5.1	5.2	4.6	PA66	Natural (NA)
151-30100	CTAP1	34.0	12.7	3.8	5.0x19.0	5.0	PA66	White (WH)
151-30209	CTAP2	54.1	12.7	3.5	5.0x19.0	5.0	PA66	Natural (NA)
151-30200	CTAP2	54.1	12.7	3.5	5.0x19.0	5.0	PA66	White (WH)

All dimensions in mm. Subject to technical changes.

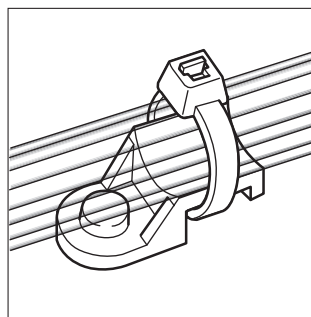
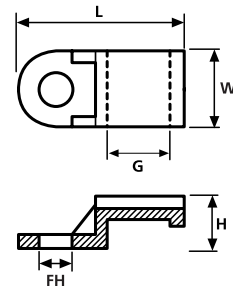
* = Width of hole



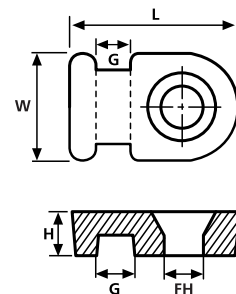
Please note! Not every product listed carries these approvals!



Cable Tie Mounts MB1/MB2



Cable Tie Mounts TY3/TY8



Material Data

Material	Polyamide 6.6 (PA66)
Operating Temperature	-40 °C to +85 °C Continuous, (+105 °C for 500 h)
Flammability	UL94 V2



Technical Table

Article-No.	Type	Length (L)	Width (W)	Height (H)	Fixing Hole Ø (FH)	Strap Width max. (G)	Material	Colour
151-28119	MB1	12.5	8.0	3.5	2.9	2.6	PA66	Natural (NA)
151-28101	MB1	12.5	8.0	3.5	2.9	2.6	PA66	Black (BK)
151-28219	MB2	20.5	12.5	3.3	5.0	5.0	PA66	Natural (NA)
151-28200	MB2	20.5	12.5	3.3	5.0	5.0	PA66	Black (BK)
151-23319	TY3F1	19.0	8.0	5.7	3.5	5.0	PA66	Natural (NA)
151-23819	TY8F1	22.4	10.0	5.8	4.5	8.0	PA66	Natural (NA)

All dimensions in mm. Subject to technical changes.



Please note! Not every product listed carries these approvals!