

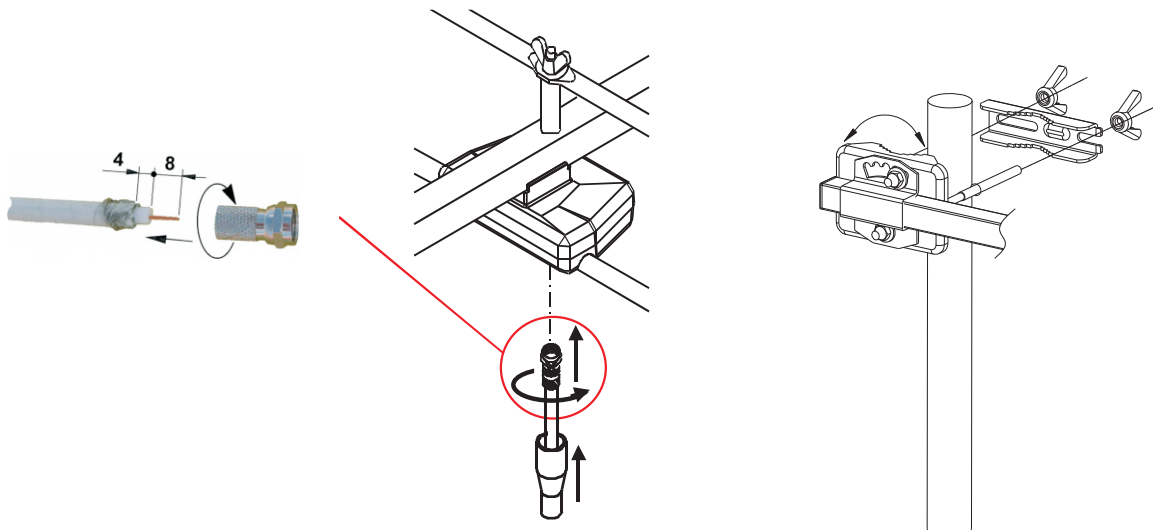
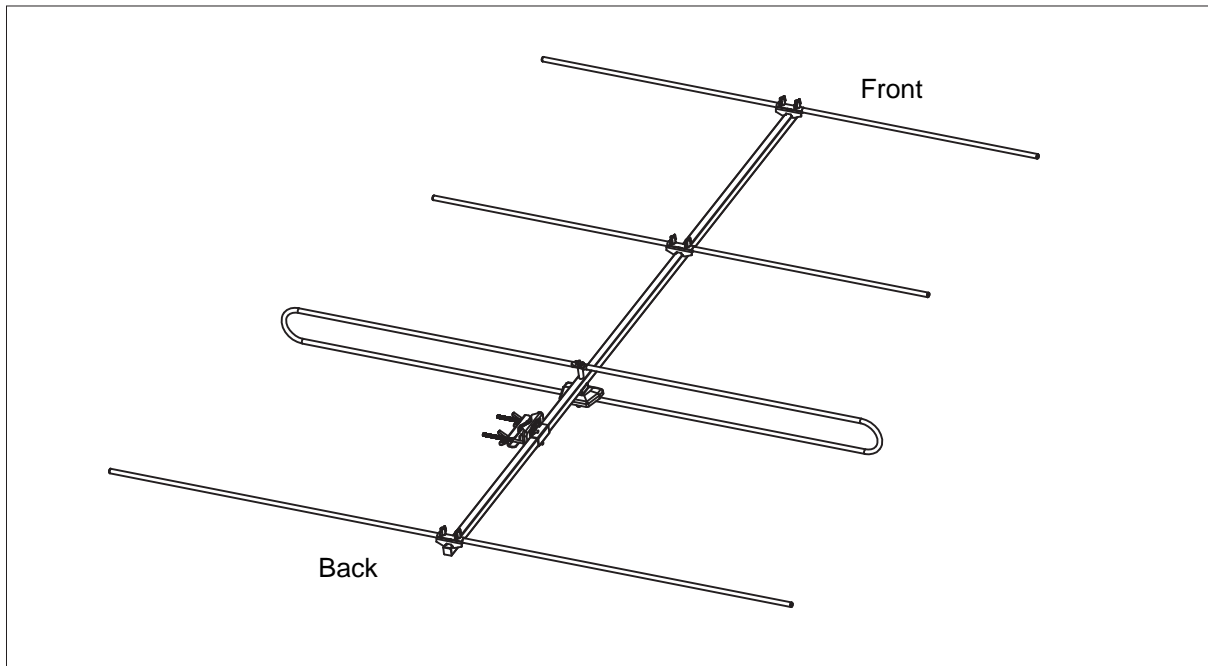
Model #30-2460  
Directional Outdoor FM Antenna

Distributed exclusively by:  
MCM Electronics  
[www.mcmelectronics.com](http://www.mcmelectronics.com)

## Technical Data:

Frequency Range	Nominal Impedance	Number of Elements	Forward Gain	Front/Back Ratio	Beam Width Horiz/Vertical	Length
88 ~ 108 MHz	75Ω	4	5.5 ~ 7.0 dB	10 ~ 15dB	H65° / V95°	66"

## Antenna Installation:



# Antenna Installation:

