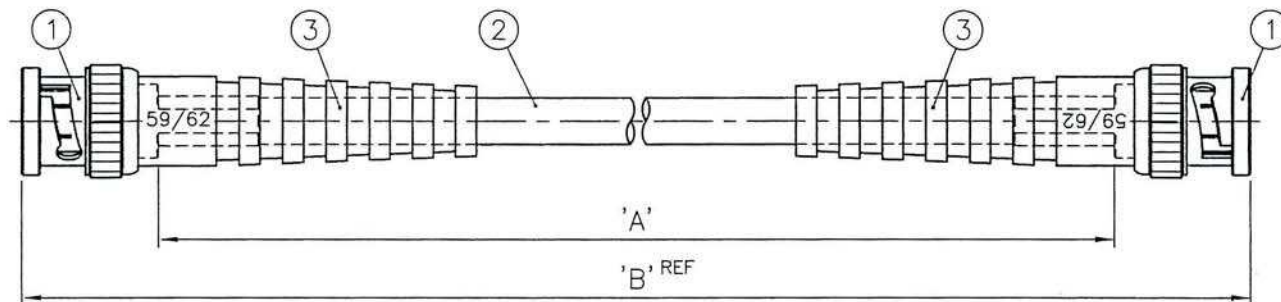


REVISIONS		DESCRIPTION\DATE
ISS	SYMBOL	


FOR CUSTOMER

REMARK: CABLE ASSEMBLY 長度 ≥ 5M, 其長度公差為 ±0.5%



XXXT-B	'A'	'B'
250T-B	250	285
500T-B	500	535
750T-B	750	785
1MT-B	1000	1035
1M5T-B	1500	1535
2MT-B	2000	2035
3MT-B	3000	3035
5MT-B	5000	5035
7M5T-B	7500	7535
10MT-B	10000	10035
25MT-B	25000	25035

HSF COMPLIANT

					DIMENSIONS ARE IN MILLIMETERS			PART NO.		 A Vollex Company		
					UNLESS OTHERWISE SPECIFIED TOLERANCES			APPROVED	DATE			
3	BOOT		BLUE	2	<50	= ±1		<i>[Signature]</i>	04/20/20'	TITLE CABLE ASSEMBLY (BNC PLUG TO BNC PLUG)		
2	CABLE		BLACK	1	>50~500	= ±2		CHECKED	DATE			
1	CONNECTOR			2	>500~1000	= ±3.5		<i>Ali</i>	04/20/20'	DRAWING NO. CA70P70P05-XXXT-B		
					>1000~2000	= ±5		DRAWN	DATE			
NO.	DESCRIPTION	MATERIAL	FINISH	Q'TY	DETAIL	SCALE	1/1	ISSUE	A1	<i>Jessica</i>	04/20/20'	FILE NO. Z:\CAA\05\70P-70P\CA70P70P05-XXXT-B-A1