



Connectors > Power Connectors > Circular Power > Circular Power Connectors



Connector Product Type: **Connector Assembly**

Operating Voltage: **250 VDC**

Connector System: **Wire-to-Board, Wire-to-Panel**

Number of Positions: **37**

Sealable: **Yes**

Features

Product Type Features

Connector Product Type	Connector Assembly
Connector System	Wire-to-Board, Wire-to-Panel
Sealable	Yes
Connector & Housing Type	Receptacle
Circular Connector Shell Type	All Plastic

Configuration Features

Number of Positions	37
Number of Power Positions	0
Keying	B
Number of Signal Positions	37

Electrical Characteristics

Operating Voltage	250 VAC
-------------------	---------

Contact Features

Reverse Gender	Yes
Contact Type	Socket

Termination Features

Termination Method to Printed Circuit Board	Through Hole - Solder
---	-----------------------

Mechanical Attachment



Panel Mount Feature Type	Flange with Mounting Holes
Connector Mounting Type	Panel Mount
Mating Alignment	With
Mating Retention	With
Panel Mount Feature	With
Mating Alignment Type	Keyed
Mating Retention Type	Threaded Coupling

Housing Features

Housing Color	Black
Housing Material	PA 6.6
Circular Connector Shell Size	23

Dimensions

Assembly Length	36.02 mm[1.418 in]
-----------------	--------------------

Usage Conditions

Operating Temperature Range	-55 – 105 °C[-67 – 221 °F]
Fluid Resistance	Immersion

Operation/Application

Circuit Application	Signal
Shielded	No

Industry Standards

UL Flammability Rating	UL 94V-0
------------------------	----------

Packaging Features

Packaging Method	Tray
Packaging Quantity	21

Other

Position Locations Omitted	7
----------------------------	---

Product Compliance

[For compliance documentation, visit the product page on TE.com>](#)

EU RoHS Directive 2011/65/EU	Not Compliant
EU ELV Directive 2000/53/EC	Not Compliant



China RoHS 2 Directive MIIT Order No 32, 2016	Restricted Materials Above Threshold
EU REACH Regulation (EC) No. 1907/2006	Current ECHA Candidate List: JAN 2021 (211) Candidate List Declared Against: JUN 2016 (169) SVHC > Threshold: Not Yet Reviewed
Halogen Content	Not Yet Reviewed for halogen content
Solder Process Capability	Wave solder capable to 265°C

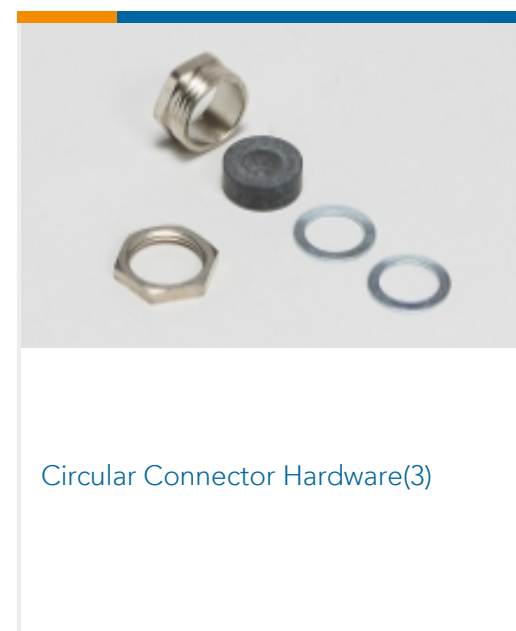
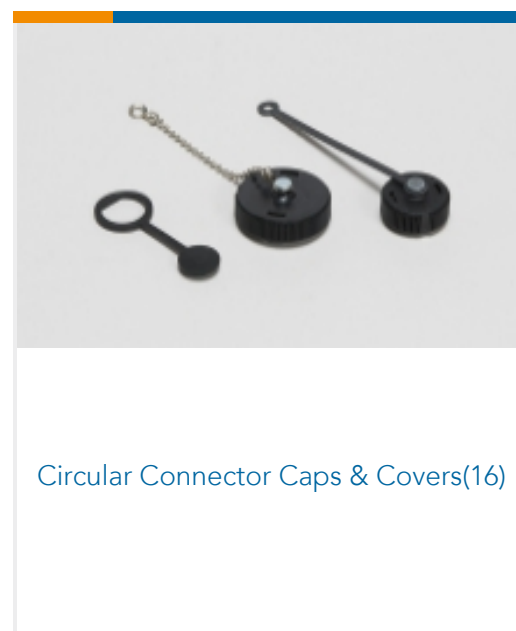
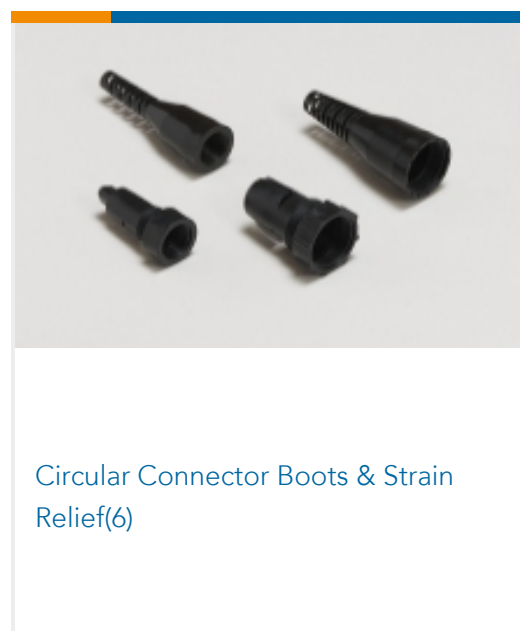
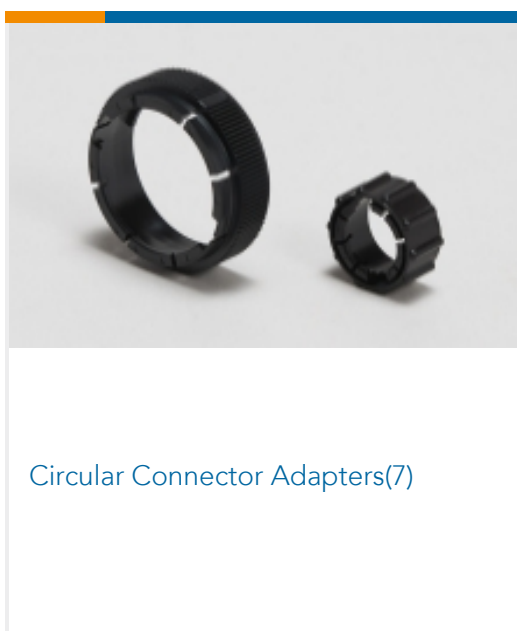
Product Compliance Disclaimer

This information is provided based on reasonable inquiry of our suppliers and represents our current actual knowledge based on the information they provided. This information is subject to change. The part numbers that TE has identified as EU RoHS compliant have a maximum concentration of 0.1% by weight in homogenous materials for lead, hexavalent chromium, mercury, PBB, PBDE, DBP, BBP, DEHP, DIBP, and 0.01% for cadmium, or qualify for an exemption to these limits as defined in the Annexes of Directive 2011/65/EU (RoHS2). Finished electrical and electronic equipment products will be CE marked as required by Directive 2011/65/EU. Components may not be CE marked. Additionally, the part numbers that TE has identified as EU ELV compliant have a maximum concentration of 0.1% by weight in homogenous materials for lead, hexavalent chromium, and mercury, and 0.01% for cadmium, or qualify for an exemption to these limits as defined in the Annexes of Directive 2000/53/EC (ELV). Regarding the REACH Regulations, TE's information on SVHC in articles for this part number is still based on the European Chemical Agency (ECHA) 'Guidance on requirements for substances in articles' (Version: 2, April 2011), applying the 0.1% weight on weight concentration threshold at the finished product level. TE is aware of the European Court of Justice ruling of September 10th, 2015 also known as O5A (Once An Article Always An Article) stating that, in case of 'complex object', the threshold for a SVHC must be applied to both the product as a whole and simultaneously to each of the articles forming part of its composition. TE has evaluated this ruling based on the new ECHA "Guidance on requirements for substances in articles" (June 2017, version 4.0) and will be updating its statements accordingly.

Compatible Parts

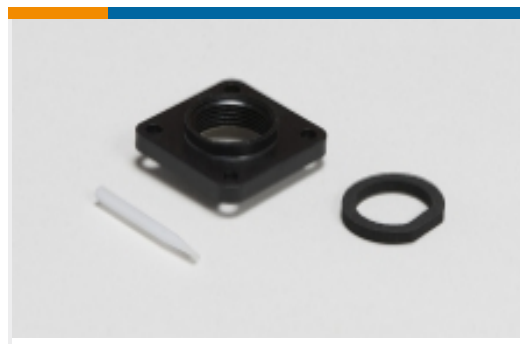


Also in the Series | AMP CPC





Circular Connector Keying Plugs(2)



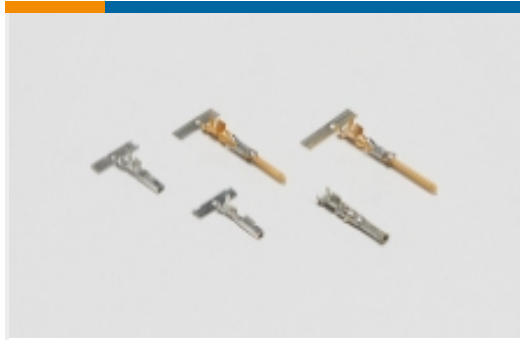
Circular Connector Seals(36)



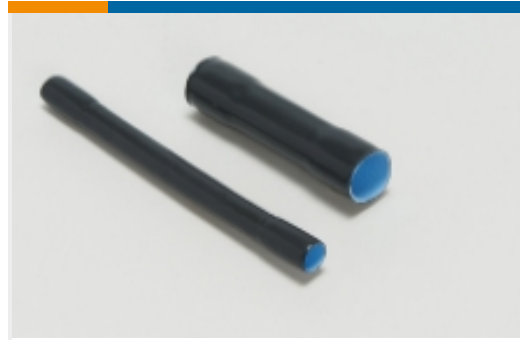
Circular Power Connectors(513)



Insertion & Extraction Tools(1)



Power Contacts(5)

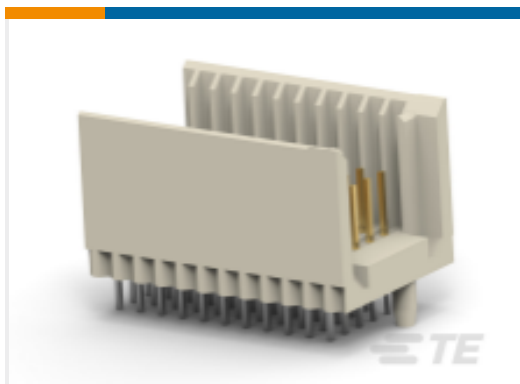


Sealing Sleeves(2)



Unscreened Circular Connector Backshells & Clamps(56)

Customers Also Bought



TE Part #3-100159-0
Hard Metric Male Connector:
Traditional Backplane, Mezzanine,
2mm



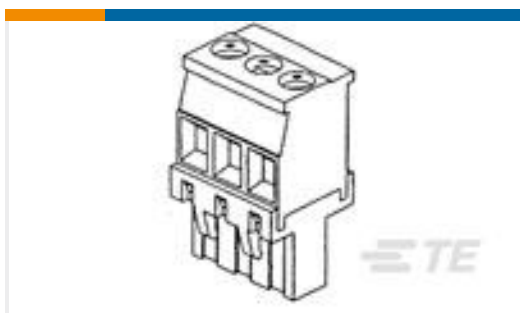
TE Part #1-213828-0
CPC RCPT ASSY SIZE 23-37,S/L



TE Part #213828-3
CPC RCPT ASSY 23-37,W/KEY PLUG



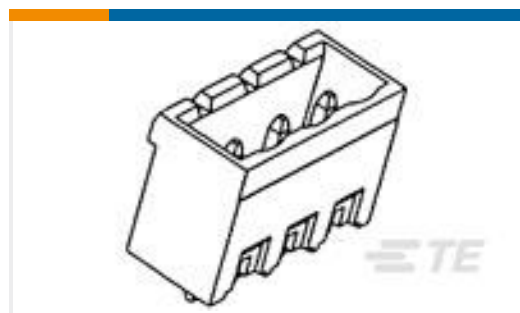
TE Part #207827-3
D-Sub Receptacle Assembly: Vertical,
Shell Size 2, 2.74mm



TE Part #2-1546857-7
3P VERT PLUG,GRAY,MARKED



TE Part #213826-8
CPC RCPT ASSY 17-9,W/KEY PLUG



TE Part #282964-5
TERMI-BLOK HEADER ASSY1805P. 7



TE Part #6-179960-2
DYNAMIC 5000 HDR ASSY



TE Part #1-794107-1
22P MINI UMNL R/A HDR ASSY LF



TE Part #1571551-9
DIP Socket: Standard, Stamped &
Formed, Closed, Tin

Documents



Product Drawings

CPC RCPT ASSY 23-37,W/KEY PLUG

English

CAD Files

3D PDF

3D

Customer View Model

[ENG_CVM_CVM_1-213828-1_AE.2d_dxf.zip](#)

English

Customer View Model

[ENG_CVM_CVM_1-213828-1_AE.3d_igs.zip](#)

English

Customer View Model

[ENG_CVM_CVM_1-213828-1_AE.3d_stp.zip](#)

English

By downloading the CAD file I accept and agree to the [Terms and Conditions](#) of use.

Product Specifications

Application Specification

English

Instruction Sheets

Instruction Sheet (U.S.)

English

Instruction Sheet (U.S.)

English