



AMP CT

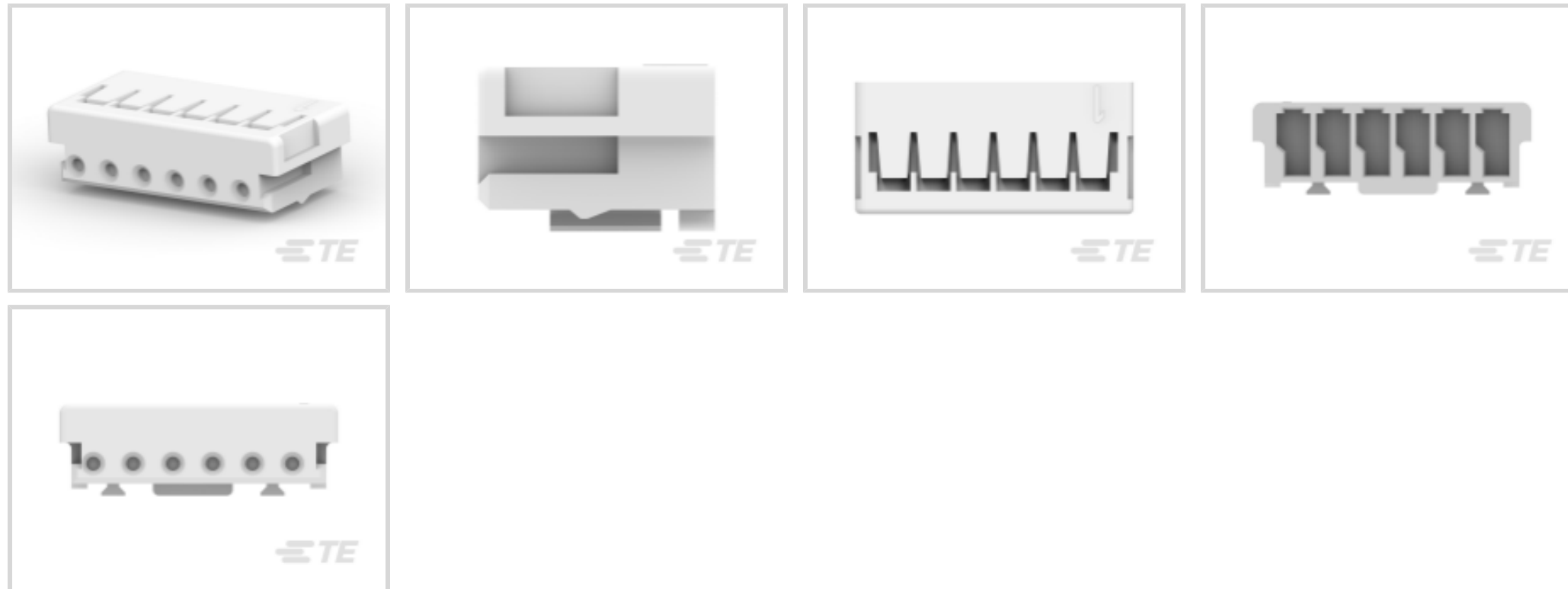
TE Internal #: 179228-6

AMP CT, Housing, Receptacle, Wire-to-Wire / Wire-to-Board, 6 Position, 2mm [.079in] Centerline, Crimp, 1 Row, Natural Housing Color, Wire & Cable

[View on TE.com >](#)

Connectors > PCB Connectors > Wire-to-Board Connectors > Wire-to-Board Connector Assemblies & Housings >

AMP COMMON TERMINATION HOUSINGS



Connector Product Type: **Housing**

Connector & Housing Type: **Receptacle**

Connector System: **Wire-to-Board, Wire-to-Wire**

Number of Positions: **6**

Centerline (Pitch): **2 mm [.079 in]**

[All AMP COMMON TERMINATION HOUSINGS \(149\)](#)

Features

Product Type Features

Connector Product Type	Housing
Connector & Housing Type	Receptacle
Connector System	Wire-to-Board, Wire-to-Wire
Sealable	No
Connector & Contact Terminates To	Wire & Cable

Configuration Features

Number of Positions	6
Number of Rows	1

Electrical Characteristics

Dielectric Withstanding Voltage (Max)	2000 VAC
Insulation Resistance	1000 MΩ
Operating Voltage	125 VAC



Contact Features

Contact Layout	Inline
Contact Type	Socket
Contact Current Rating (Max)	4 A

Termination Features

Termination Method to Wire & Cable	Crimp
------------------------------------	-------

Mechanical Attachment

Panel Mount Feature	Without
PCB Mount Retention	Without
Mating Retention	Without
Connector Mounting Type	Cable Mount (Free-Hanging)

Housing Features

Housing Material	Thermoplastic
Centerline (Pitch)	2 mm [.079 in]
Housing Color	Natural

Dimensions

Connector Length	14 mm [.551 in]
Connector Height	6.6 mm [.26 in]
Connector Width	4.6 mm [.181 in]
Wire Size	30 – 22 AWG

Usage Conditions

Operating Temperature Range	-30 – 105 °C [-22 – 221 °F]
-----------------------------	-----------------------------

Operation/Application

Circuit Application	Power & Signal
---------------------	----------------

Industry Standards

Glow Wire Rating	Standard Part - Not Glow Wire
UL Flammability Rating	UL 94V-0
UL File Number	E28476
Agency/Standard	CSA, UL
CSA File Number	LR 7189

Packaging Features



Packaging Quantity	2500
Packaging Method	Bag/Box

Product Compliance

[For compliance documentation, visit the product page on TE.com>](#)

EU RoHS Directive 2011/65/EU	Compliant
EU ELV Directive 2000/53/EC	Compliant
China RoHS 2 Directive MIIT Order No 32, 2016	No Restricted Materials Above Threshold
EU REACH Regulation (EC) No. 1907/2006	Current ECHA Candidate List: JAN 2021 (211) Candidate List Declared Against: JAN 2021 (211) Does not contain REACH SVHC
Halogen Content	Low Halogen - Br, Cl, F, I < 900 ppm per homogenous material. Also BFR/CFR/PVC Free
Solder Process Capability	Not applicable for solder process capability

Product Compliance Disclaimer

This information is provided based on reasonable inquiry of our suppliers and represents our current actual knowledge based on the information they provided. This information is subject to change. The part numbers that TE has identified as EU RoHS compliant have a maximum concentration of 0.1% by weight in homogenous materials for lead, hexavalent chromium, mercury, PBB, PBDE, DBP, BBP, DEHP, DIBP, and 0.01% for cadmium, or qualify for an exemption to these limits as defined in the Annexes of Directive 2011/65/EU (RoHS2). Finished electrical and electronic equipment products will be CE marked as required by Directive 2011/65/EU. Components may not be CE marked. Additionally, the part numbers that TE has identified as EU ELV compliant have a maximum concentration of 0.1% by weight in homogenous materials for lead, hexavalent chromium, and mercury, and 0.01% for cadmium, or qualify for an exemption to these limits as defined in the Annexes of Directive 2000/53/EC (ELV). Regarding the REACH Regulation, the information TE provides on SVHC in articles for this part number is based on the latest European Chemicals Agency (ECHA) 'Guidance on requirements for substances in articles' posted at this URL: <https://echa.europa.eu/guidance-documents/guidance-on-reach>

Compatible Parts



TE Part # CAT-AM7017-C7671
AMP COMMON TERMINATION CONTACTS



TE Part # CAT-3984552-PHITPS
CT Post Header Assembly: Part. Shrouded



TE Part # CAT-AM7017-H342
AMP COMMON TERMINATION HEADERS



TE Part # CAT-3984552-BHTHVS
CT Box Header SMT: Vert, Shrouded



TE Part # CAT-3980407-RHDRRA
CT 2mm Header Assembly: Right Angle



TE Part # CAT-3983174-PHBXHK
CT 2mm Post Header Assembly Box H Kink



TE Part # 1-179472-2
HOLDER FOR CT D/ROW CRIMP 12P



TE Part # CAT-3980655-RHAFH
CT Relay Header Assembly: Free Hanging



TE Part # 292134-6
CT BOX HDR ASSY V 6P AU W/KINK



TE Part # 292157-6
CT RELAY W/COMMONING BAR 6P NA



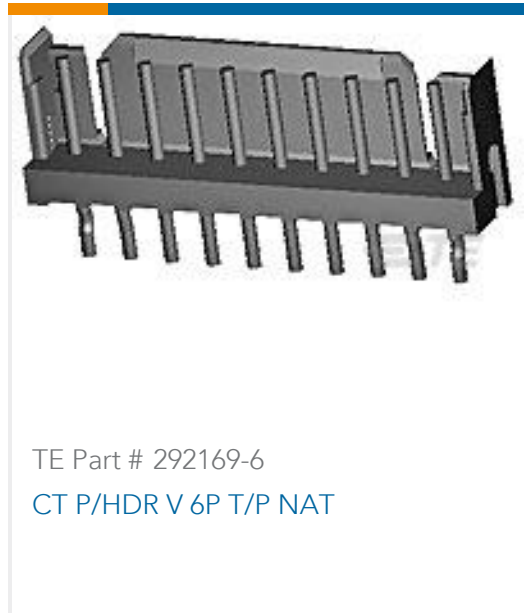
TE Part # 292164-6
CT P/HDR BOX H ASSY 6P T/P NAT



TE Part # 292165-6
CT P/HDR BOX V 6P T/P NAT



TE Part # 292166-6
CT P/HDR BOX V 6P T/P NAT W/O



TE Part # 292169-6
CT P/HDR V 6P T/P NAT



TE Part # 292170-6
CT P/HDR ASSY 6P V W/O KINK T

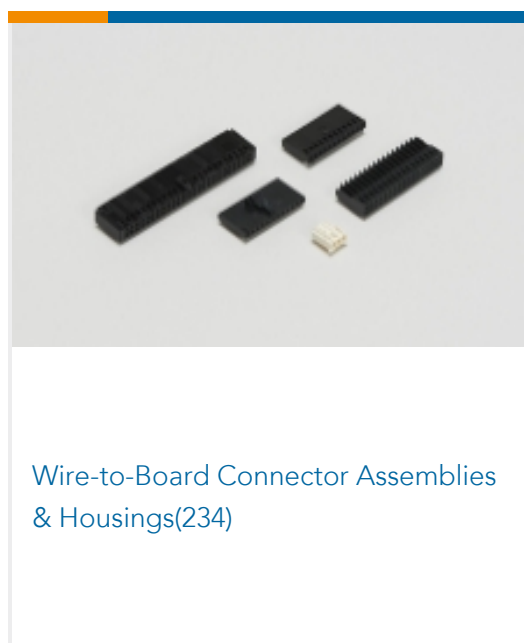


TE Part # 292271-6
MT REC ASSY AU-PL. 6P GRAY

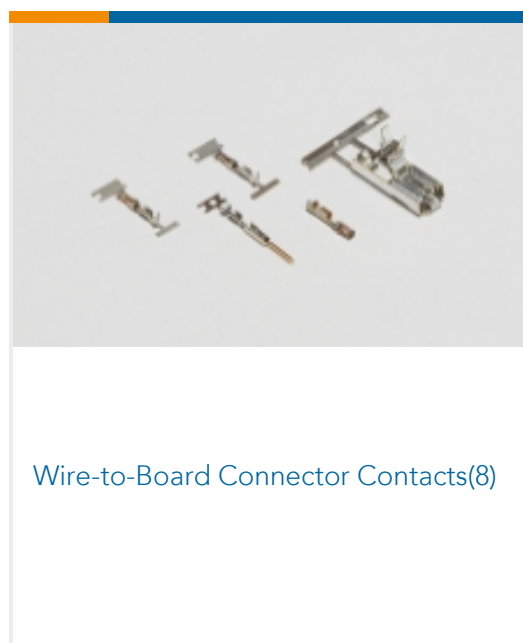
Also in the Series | AMP CT



PCB Connector Mounting(46)



Wire-to-Board Connector Assemblies & Housings(234)



Wire-to-Board Connector Contacts(8)



Wire-to-Board Headers & Receptacles (760)

Customers Also Bought



TE Part #1-640251-4
3.96mm Wire-to-board housing: receptacle, no mating alignment, SL 156



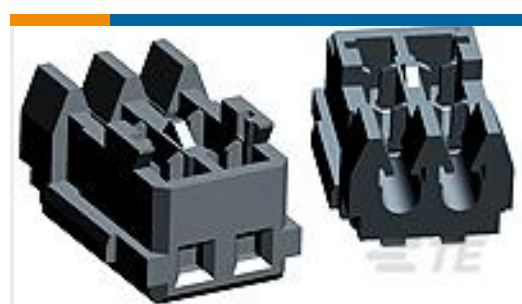
TE Part #1-353908-7
Mini Common Termination (CT) Housings



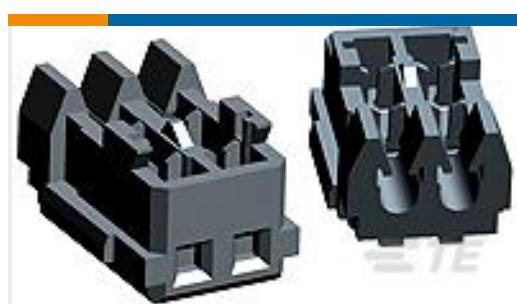
TE Part #91572-1
CCII TYPE II REC 26-22 ASSY



TE Part #1-292215-3
MINI CT SGL RELAY 13P NAT



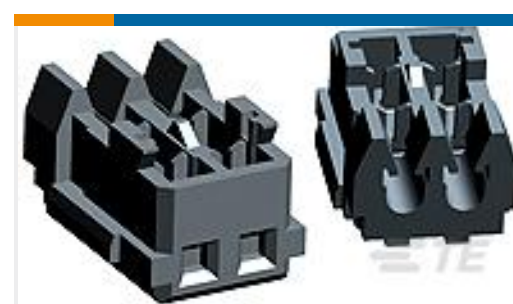
TE Part #1-353293-7
MINI CT MT REC ASSY 17P GRAY



TE Part #1-353293-8
MINI CT MT REC ASSY 18P GRAY



TE Part #1-292215-2
MINI CT SGL RELAY 12P NAT



TE Part #1-353293-2
MINI CT MT REC ASSY 12P GRAY



TE Part #1-353293-5
1.5 MINI-CT RECEPTACLE



TE Part #1-292228-2
MINI COMMON TERMINATION HEADERS

Documents

Product Drawings

CRIMP TYPE II RECPT HSG

English

CAD Files

3D PDF

3D

Customer View Model

[ENG_CVM_CVM_179228-6_N1.2d_dxf.zip](#)

English

Customer View Model

[ENG_CVM_CVM_179228-6_N1.3d_igs.zip](#)

English

Customer View Model

[ENG_CVM_CVM_179228-6_N1.3d_stp.zip](#)

English

By downloading the CAD file I accept and agree to the [Terms and Conditions](#) of use.

Datasheets & Catalog Pages

POWER_CONNECTORS_CATALOG_SEC02_CABLE_MOUNTED

English

2.0MM_AMP_CT_CONNECTOR_SERIES_QUICK_REF_GUIDE

English

Product Specifications

Crimping of AMP 2.0mm Pitch, CT Crimp Typell Rec Contact

English



Application Specification

English

Product Environmental Compliance

[MD_179228-6_04242018940_dmtec](#)

English

[MD_179228-6_04242018940_dmtec](#)

English

Agency Approvals

[Agency Approval Document](#)

English