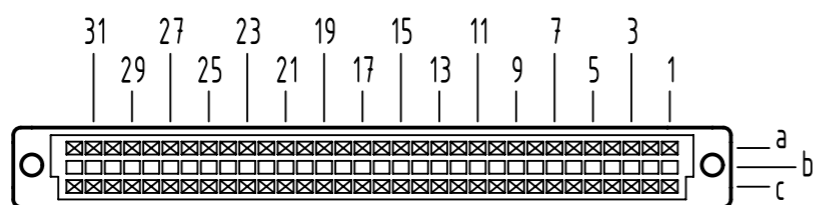


**A**  
contact arrangement

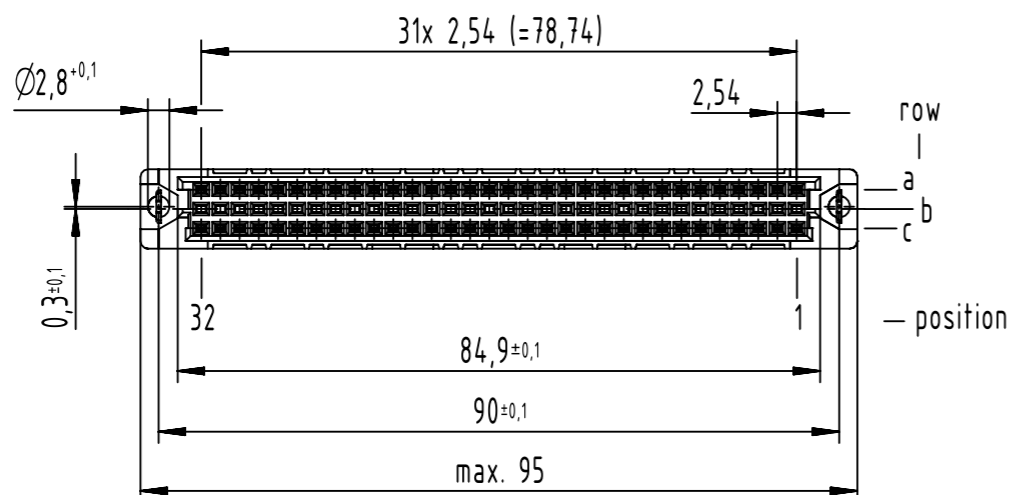
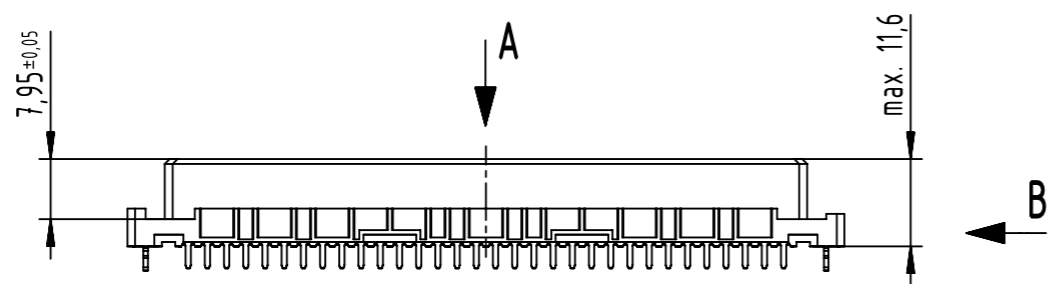
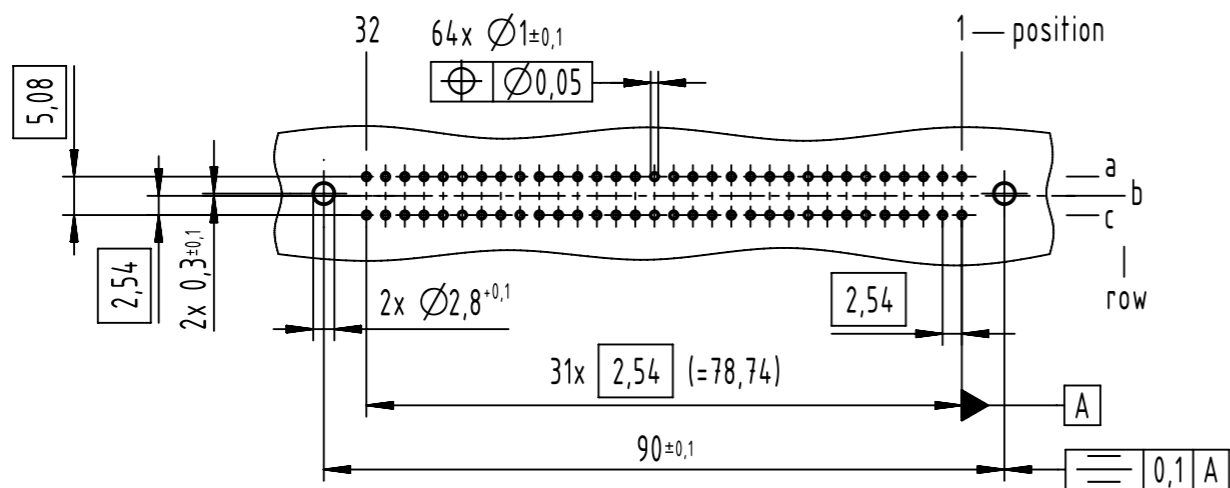


64 solder-contacts

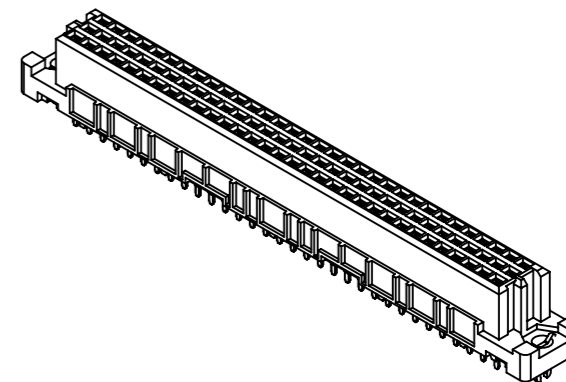
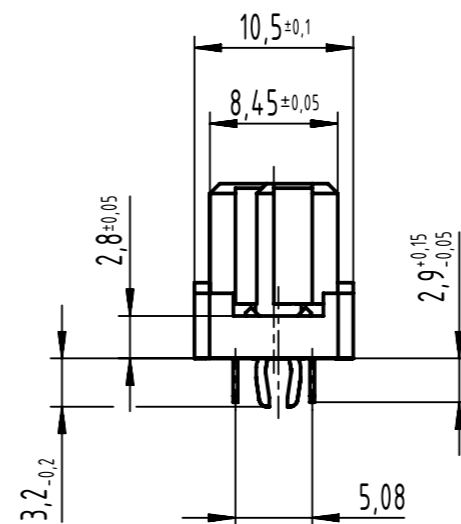
⊗ = solder-contact

□ = position without contact

**A**  
board drillings



**B (2:1)**



09 03 464 7824	3
09 03 464 6824	2
09 03 464 2824	1
part no.	performance level

further information see product data sheet

	All Dimensions in mm Original Size DIN A3	Scale 1:1	Free size tol. IEC 60603-2	Ref. Sub. TB 09 03 464 x824 / Mod. 36400 / 07.07.2011	
	All rights reserved Department EL PD	Created by STORCK	Inspected by LEHNERT	Standardisation 302077	Date 2021-03-12
Title DIN Signal type C female solder 2.9 with clip 64-pole		Doc-Key / ECM-Nr. 100173852/UGD/184/G 500000190255		State Final Release	
Type TB		Number 0903464X824		Rev. G	Page 1/1