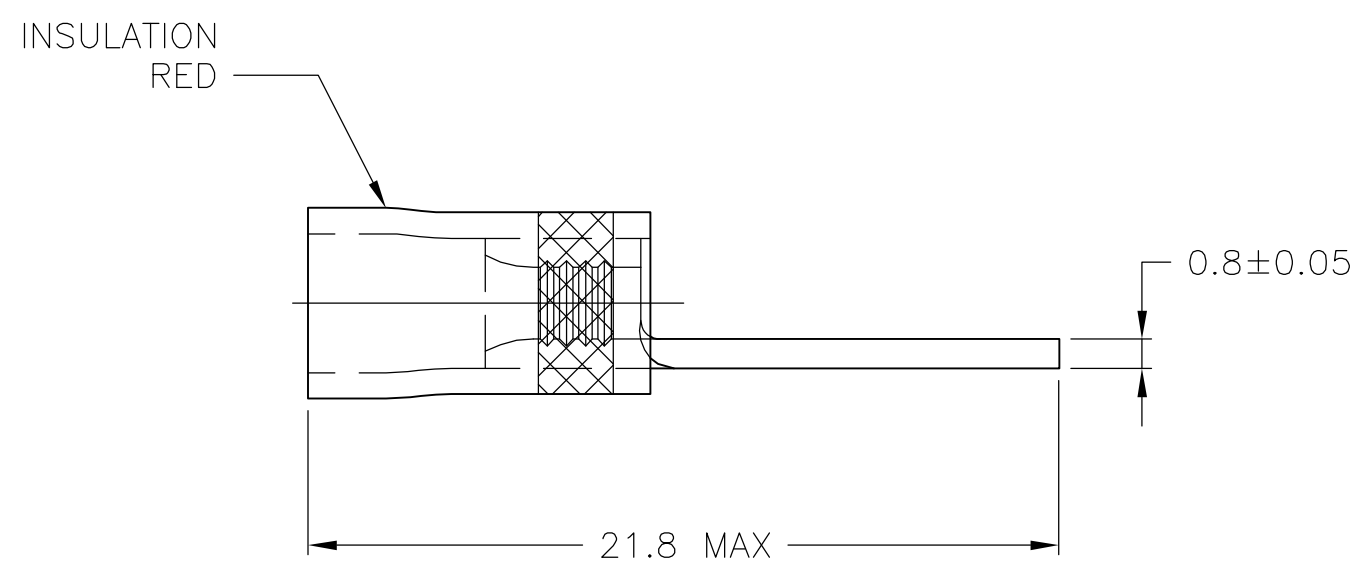
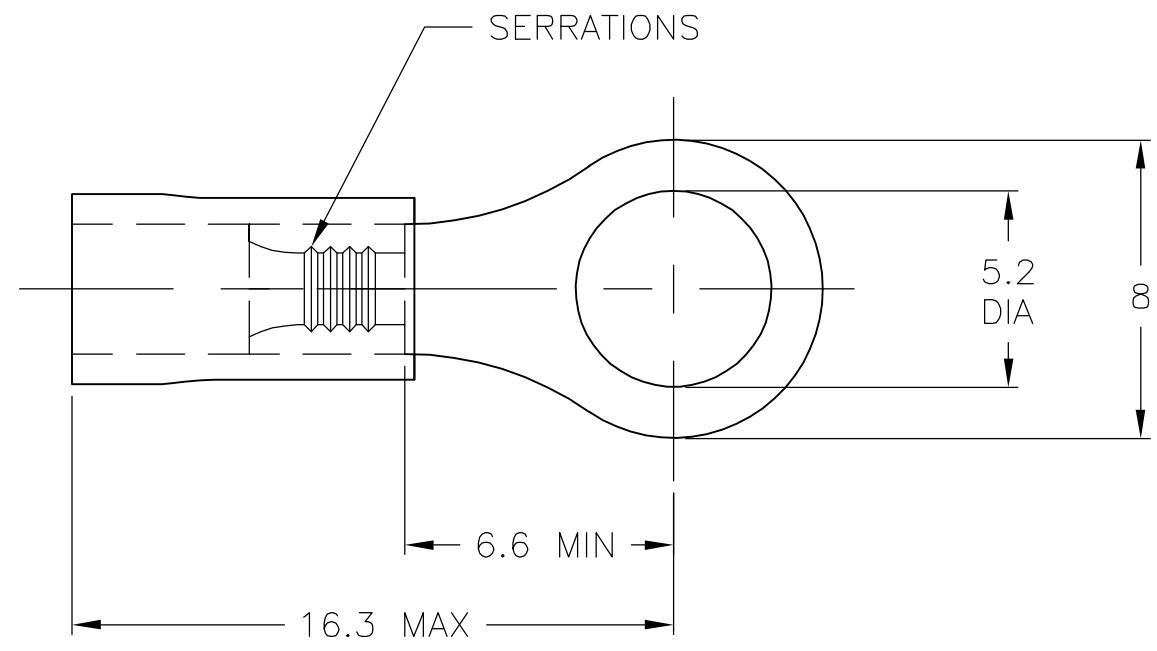


THIS DRAWING IS UNPUBLISHED. RELEASED FOR PUBLICATION
 © COPYRIGHT BY TYCO ELECTRONICS CORPORATION. ALL RIGHTS RESERVED.

LOC	DIST	REVISIONS					
F	00	P	LTR	DESCRIPTION	DATE	DWN	APVD
			G1	REV PER 05-010848	13SEP05	JR	TM



- 1 WIRE SIZE: 0.26-1.64mm²
- 2 INSULATION RANGE: 2.0-3.18 DIA
- 3 MATERIAL:
BODY: CU PER ASTM B-152
SLEEVE: PVC
- 4 FINISH:
BODY: TIN PLATE PER ASTM B-545
SLEEVE: COLOR-RED

5000	TAPE & REEL	2-130011-1
1000	LOOSE PIECE	130011
QTY	PACKAGE TYPE	PART NO.

THIS DRAWING IS A CONTROLLED DOCUMENT.		DWN G.ROBERT JAN.11.89	Tyco Electronics Corporation Harrisburg, Pa 17105-3608	
DIMENSIONS: mm		CHK G.ROBERT 30-JAN-97		
		APVD JJ.REVIL 30-JAN-97	NAME PLASTI-GRIP TERMINAL WIRE SIZE : 22-16 AWG	
TOLERANCES UNLESS OTHERWISE SPECIFIED:		PRODUCT SPEC	RESTRICTED TO	
0 PLC ± - 1 PLC ± - 2 PLC ± - 3 PLC ± - 4 PLC ± - ANGLES ± -		APPLICATION SPEC	SIZE A3	CAGE CODE 00779
MATERIAL		WEIGHT	DRAWING NO G-130011	REV G1
- 3		CUSTOMER DRAWING		SCALE 5:1
FINISH		SHEET 1 OF 1		
- 4				