

Crimp contact - ST-10KS010 - 1618239

Please be informed that the data shown in this PDF Document is generated from our Online Catalog. Please find the complete data in the user's documentation. Our General Terms of Use for Downloads are valid (<http://phoenixcontact.com/download>)



Crimp contact, turned, Single contact, contact diameter: 1 mm, crimp range: 0.06 mm² ... 0.25 mm²


The figure may differ depending on the connection area

Your advantages

- Crimping connection: vibration- and temperature-resistant assembly
- High tensile strength of the connection
- Low contact resistance
- Easy production monitoring



Key Commercial Data

Packing unit	100 pc
Minimum order quantity	100 pc
GTIN	 4 046356 736459
GTIN	4046356736459
Weight per Piece (excluding packing)	0.190 g
Custom tariff number	85389099
Country of origin	Germany
Note	Made to Order (non-returnable)

Technical data

General

Contact type	turned
Contact diameter	1 mm
Type of contact	Socket
Connection method	Crimp connection
Insertion/withdrawal cycles mechanical	100
Litz wire cross section min.	0.06 mm ²

Crimp contact - ST-10KS010 - 1618239

Technical data

General

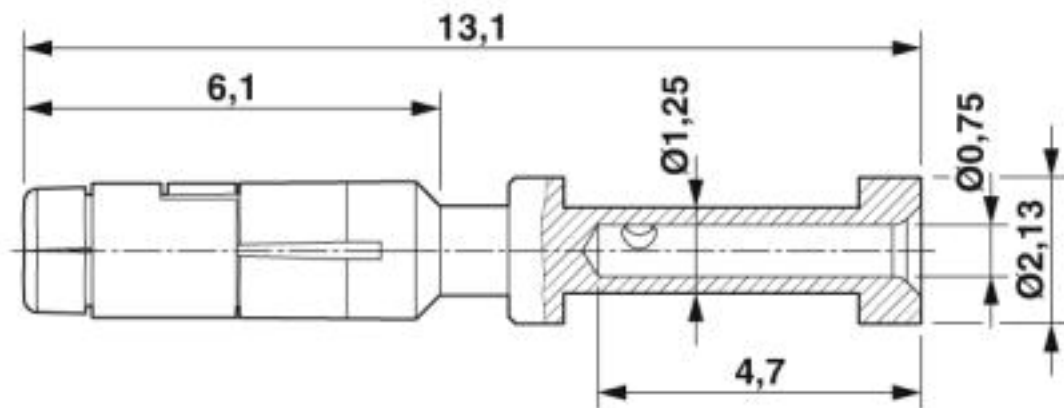
Litz wire cross section max.	0.25 mm ²
Contact material	CuZn
Contact surface	Nickel-plated (Ni), with gold coating (Au)

Environmental Product Compliance

REACH SVHC	Lead 7439-92-1
China RoHS	Environmentally Friendly Use Period = 50 years
	For details about hazardous substances go to tab "Downloads", Category "Manufacturer's declaration"

Drawings

Dimensional drawing



Classifications

eCl@ss

eCl@ss 10.0.1	27440204
eCl@ss 4.0	27260700
eCl@ss 4.1	27260700
eCl@ss 5.0	27260700
eCl@ss 5.1	27261200
eCl@ss 6.0	27261200
eCl@ss 7.0	27440204
eCl@ss 8.0	27440204
eCl@ss 9.0	27440204

ETIM

ETIM 3.0	EC001121
ETIM 4.0	EC000796
ETIM 5.0	EC000796

Crimp contact - ST-10KS010 - 1618239

Classifications

ETIM

ETIM 6.0	EC000796
ETIM 7.0	EC000796

UNSPSC

UNSPSC 6.01	43172015
UNSPSC 7.0901	43201404
UNSPSC 11	43172015
UNSPSC 12.01	43201404
UNSPSC 13.2	39121522
UNSPSC 18.0	39121522
UNSPSC 19.0	39121522
UNSPSC 20.0	39121522
UNSPSC 21.0	39121522

Accessories

Accessories

Crimping tool

Crimp locator - SF-Z0053 - 1615584



Locator for RC-Z2514 and RC-Z2504 crimping pliers, for crimping turned SF and ST contacts, diameter of 0.6 mm ... 1.0 mm and 2.0 mm.

Crimping pliers with digital display - SF-Z0054 - 1615585



Crimping pliers for turned crimp contacts \varnothing 0.6 mm / \varnothing 0.8 mm / \varnothing 1 mm / \varnothing 2 mm, litz wire cross section of 0.06 mm² ... 2.5 mm²

Crimping pliers with digital display - SF-Z0025 - 1607452



Crimping pliers for turned crimp contacts \varnothing 1.0 mm / \varnothing 1.6 mm / \varnothing 2 mm / \varnothing 3.6 mm, litz wire cross section of 0.08 mm² ... 6 mm²

