

Connection distributor - PSM PTK

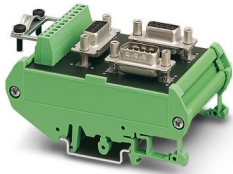


2760623

<https://www.phoenixcontact.com/pc/products/2760623>

Please be informed that the data shown in this PDF document is generated from our Online Catalog. Please find the complete data in the user documentation. Our General Terms of Use for Downloads are valid.

Passive RS-485 T-distributor, fitted with one 9-pin D-SUB pin strip and two 9-pin D-SUB socket strips



Commercial Data

Item number	2760623
Packing unit	1 pc
Minimum order quantity	1 pc
Product Key	DNC551
Catalog Page	Page 443 (C-6-2019)
GTIN	4017918064327
Weight per Piece (including packing)	112.7 g
Weight per Piece (excluding packing)	86.1 g
Customs tariff number	85366990
Country of origin	DE

2760623

<https://www.phoenixcontact.com/pc/products/2760623>

Technical Data

Product properties

Product type	Adapter
Application	Standard
Pin assignment	all 1:1

Electrical properties

Test voltage	500 V AC (50 Hz, 1 min, rms)
Nominal voltage U_N	60 V AC/DC
Nominal current I_N	1 A
Transmission medium	Copper

Connection data

Incoming

Connection method	D-SUB 9 plug
-------------------	--------------

Outgoing

Connection method	D-SUB-9 female connector
-------------------	--------------------------

Branching

Connection method	D-SUB-9 female connector
-------------------	--------------------------

Branching

Connection method	COMBICON connectors
Conductor cross section solid min.	0.14 mm ²
Conductor cross section solid max.	1.5 mm ²
Conductor cross section flexible min.	0.14 mm ²
Conductor cross section flexible max.	1.5 mm ²
Conductor cross section AWG min.	26
Conductor cross section AWG max.	16

Interfaces

Bus system	RS-485
------------	--------

Dimensions

Width	56 mm
Height	89.6 mm
Length	48 mm

Material specifications

Color	green
Flammability rating according to UL 94	V0
Housing material	PVC

Connection distributor - PSM PTK



2760623

<https://www.phoenixcontact.com/pc/products/2760623>

Cable / line

Shielding	D-SUB frame or shield clamp
-----------	-----------------------------

Environmental and real-life conditions

Ambient conditions

Degree of protection	IP20
Ambient temperature (operation)	-25 °C ... 70 °C

Approval data

EAC

Identification	EAC
----------------	-----

Standards and regulations

Free from substances that could impair the application of coating	according to P-VW 3.10.7 57 65 0 VW-AUDI-Seat central standard
---	--

Connection distributor - PSM PTK

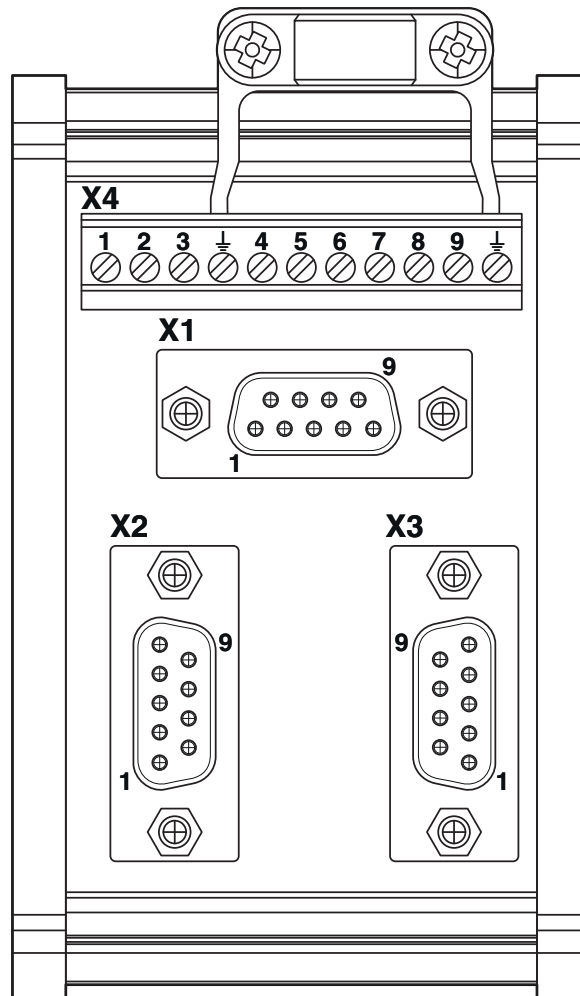
2760623

<https://www.phoenixcontact.com/pc/products/2760623>



Drawings

Schematic diagram



Front view

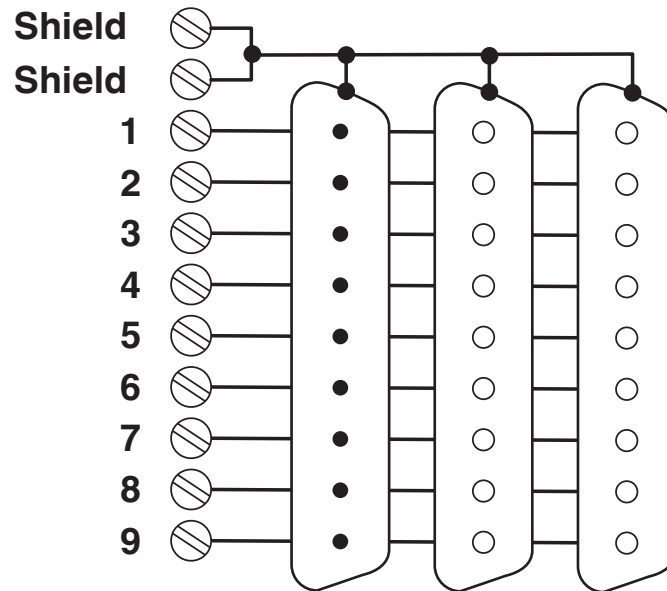
Connection distributor - PSM PTK

2760623

<https://www.phoenixcontact.com/pc/products/2760623>



Circuit diagram



Connection distributor - PSM PTK



2760623

<https://www.phoenixcontact.com/pc/products/2760623>

Approvals



cUL Recognized

Approval ID: FILE E 238705



UL Recognized

Approval ID: FILE E 238705



EAC

Approval ID: RU C-DE.BL08.B.00511

cULus Recognized

Connection distributor - PSM PTK



2760623

<https://www.phoenixcontact.com/pc/products/2760623>

Classifications

ECLASS

ECLASS-9.0	27141152
ECLASS-10.0.1	27141152
ECLASS-11.0	27141152

ETIM

ETIM 8.0	EC002780
----------	----------

UNSPSC

UNSPSC 21.0	39121400
-------------	----------

Connection distributor - PSM PTK



2760623

<https://www.phoenixcontact.com/pc/products/2760623>

Environmental Product Compliance

China RoHS	Environmentally Friendly Use Period = 50 years For information on hazardous substances, refer to the manufacturer's declaration available under "Downloads"
------------	--

Connection distributor - PSM PTK



2760623

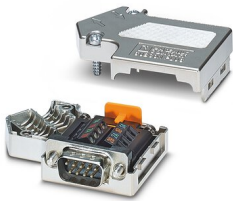
<https://www.phoenixcontact.com/pc/products/2760623>

Accessories

D-SUB bus connector

D-SUB bus connector - SUBCON-PLUS-PROFIB/SC2 - 2708232

<https://www.phoenixcontact.com/pc/products/2708232>

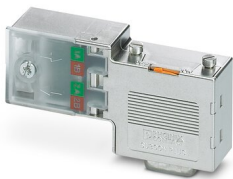


D-SUB connector, 9-pos., male connector, 35° cable entry, bus system: PROFIBUS DP up to 12 Mbps, termination resistor can be switched on via slide switch, pin assignment: 3, 5, 6, 8; screw connection terminal blocks

D-SUB bus connector

D-SUB bus connector - SUBCON-PLUS-PROFIB/90/SC - 2313698

<https://www.phoenixcontact.com/pc/products/2313698>



D-SUB connector, 9-pos., male connector, 90° cable entry, bus system: PROFIBUS DP up to 12 Mbps, termination resistor can be switched on via slide switch, pin assignment: 3, 5, 6, 8; screw connection terminal blocks

Connection distributor - PSM PTK

2760623

<https://www.phoenixcontact.com/pc/products/2760623>

D-SUB bus connector

D-SUB bus connector - SUBCON-PLUS-PROFIB/AX/SC - 2744380

<https://www.phoenixcontact.com/pc/products/2744380>



D-SUB connector, 9-pos., male connector, axial version with two cable entries, bus system: PROFIBUS DP up to 12 Mbps, termination resistor can be switched on via slide switch, pin assignment: 3, 5, 6, 8; screw connection terminal blocks

D-SUB bus connector

D-SUB bus connector - SUBCON-PLUS 9/F - 2744241

<https://www.phoenixcontact.com/pc/products/2744241>



D-SUB connector, 9-pos. female connector, two 35° cable entries, universal type for all systems, pin assignment: 1, 2, 3, 4, 5, 6, 7, 8, 9 to one screw connection terminal block

Connection distributor - PSM PTK

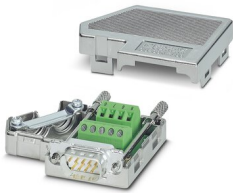
2760623

<https://www.phoenixcontact.com/pc/products/2760623>

D-SUB bus connector

D-SUB bus connector - SUBCON-PLUS 9/M - 2744018

<https://www.phoenixcontact.com/pc/products/2744018>



D-SUB connector, 9-pos., male connector, two 35° cable entries, universal type for all systems, pin assignment: 1, 2, 3, 4, 5, 6, 7, 8, 9 to one screw connection terminal block

D-SUB bus connector

D-SUB bus connector - SUBCON-PLUS-M/AX 9 - 2904467

<https://www.phoenixcontact.com/pc/products/2904467>



D-SUB plug, 9-pos., pin, axial design with two cable entries, universal type for all systems, pin assignment: 1, 2, 3, 4, 5, 6, 7, 8, 9 to screw connection terminal block

Connection distributor - PSM PTK

2760623

<https://www.phoenixcontact.com/pc/products/2760623>



D-SUB bus connector

D-SUB bus connector - SUBCON-PLUS-F/AX 9 - 2311797

<https://www.phoenixcontact.com/pc/products/2311797>



D-SUB connector, 9-pos. female connector, axial version with two cable entries, universal type for all systems, pin assignment: 1, 2, 3, 4, 5, 6, 7, 8, 9 to screw connection terminal block

Phoenix Contact 2022 © - all rights reserved

<https://www.phoenixcontact.com>

PHOENIX CONTACT GmbH & Co. KG

Flachsmarktstraße 8

D-32825 Blomberg

+49 (0) 5235-3 00

info@phoenixcontact.com