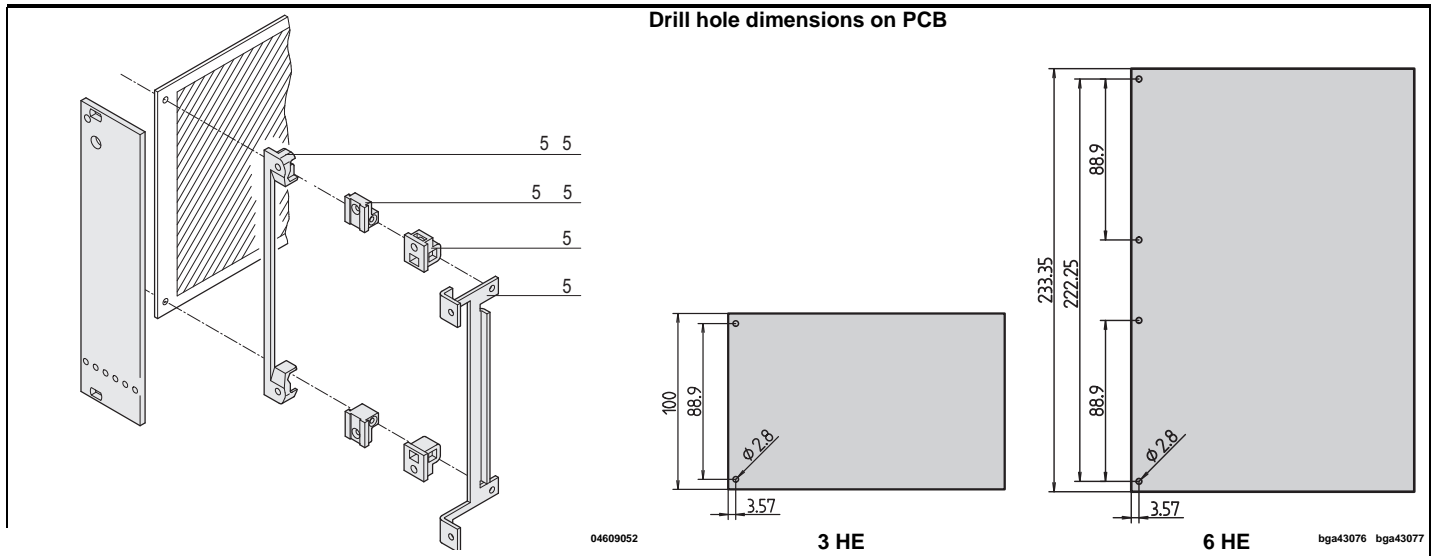


Plug-in units - for IEC 60297, trapeziform

Individual components

PCB bracket for static trapeziform handle



	Item	Required Qty	Qty/PU		Part no.
			3 U	6 U	
PCB bracket 4 clearance holes for front panel/PCB fixing, 4 recesses for hexagon nuts; PBT, UL 94 V-0, red	5	1	2	1 piece (SPQ 10) ¹⁾	60807-011
PCB bracket 4 threads M2.5 for front panel/PCB fixing, PBT, UL 94 V-0, grey, 1 piece	5a	1	2	1 piece (SPQ 10) ¹⁾	60807-211
PCB bracket Clearance hole for front panel fixing, with recess for hexagon nut, drill hole for self-tapping screw for PCB fixing, PBT, UL 94 V-0, grey, 1 piece	5b	2	4	1 piece (SPQ 10) ¹⁾	60807-183
PCB bracket 2 threads M2.5 for front panel/PCB fixing, die-cast zinc, 1 piece	5c	2	4	1 piece (SPQ 10) ¹⁾	60807-181
PCB bracket Thread M2.5 for front panel fixing, clearance hole for PCB fixing, die-cast zinc, 1 piece	5d	2	4	1 piece (SPQ 10) ¹⁾	60807-203
PCB bracket 4 M2.5 threads for fixing front panel/PCB for recessed PCB mounting (20 mm), mounting depth 192.24 mm, St, zinc-plated; not for europacPRO, multipacPRO, ratiopacPRO, propacPRO or compacPRO, 1 piece	5e	1	2	1 piece (SPQ 10) ¹⁾	30808-871

1) SPQ (standard pack quantity): Part number includes 1 piece, but delivery is exclusively made in standard pack quantity (SPQ); please order at least the SPQ quantity or a multiple