

100 X 90 X 40 CM

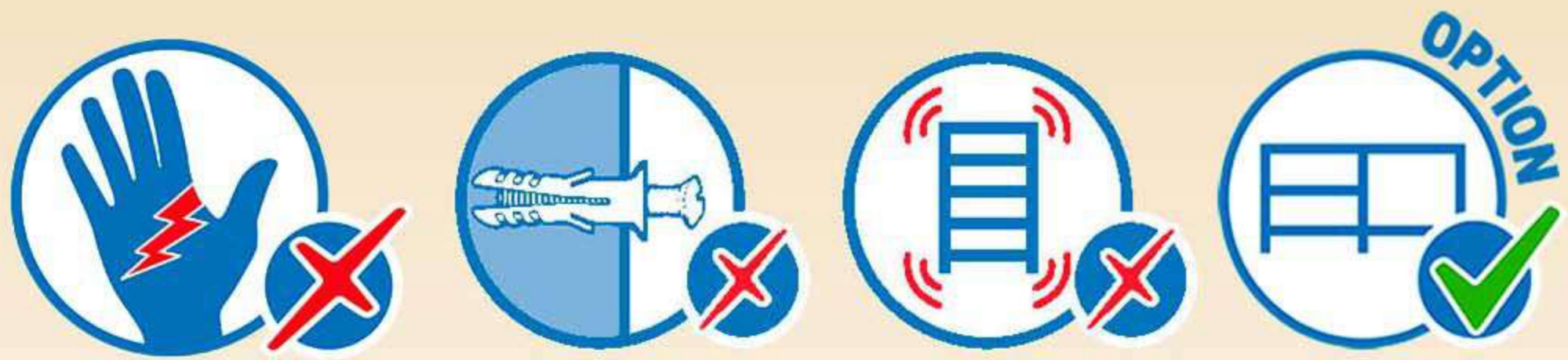
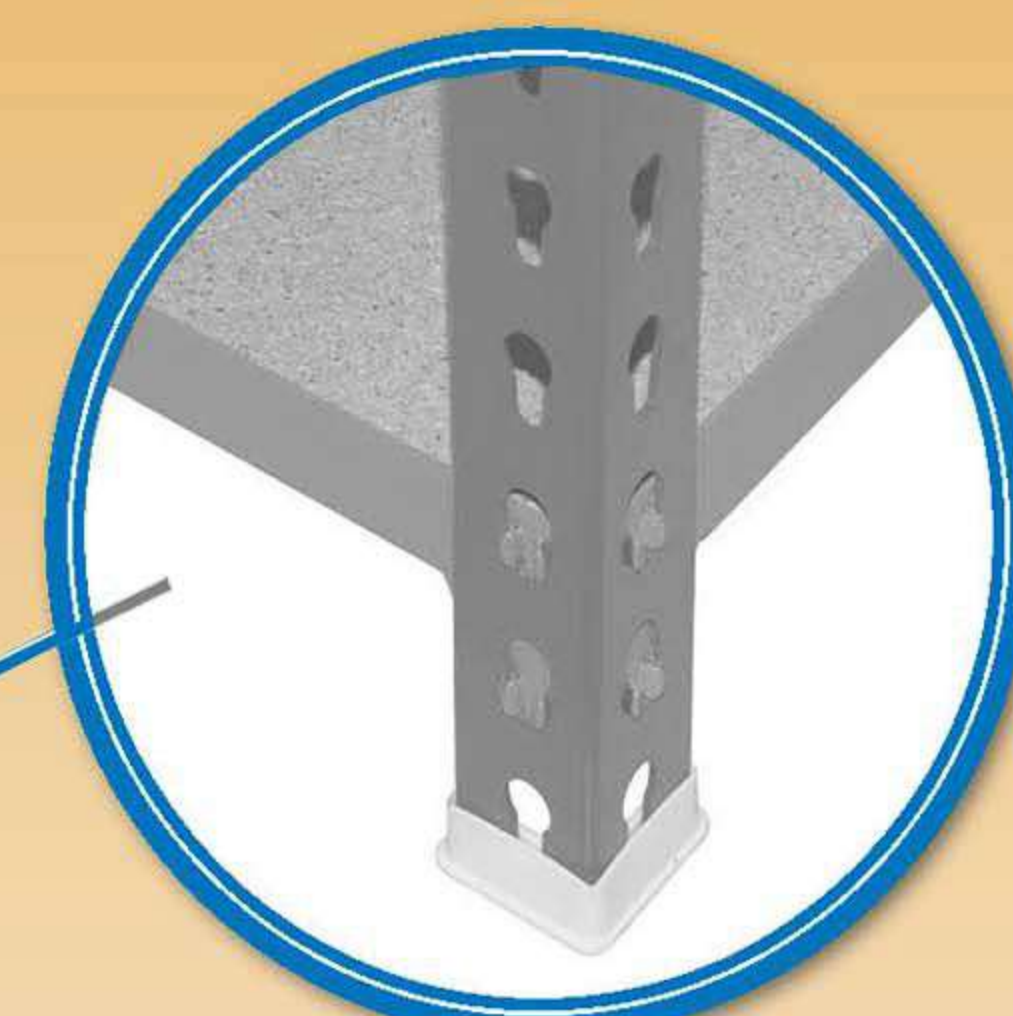
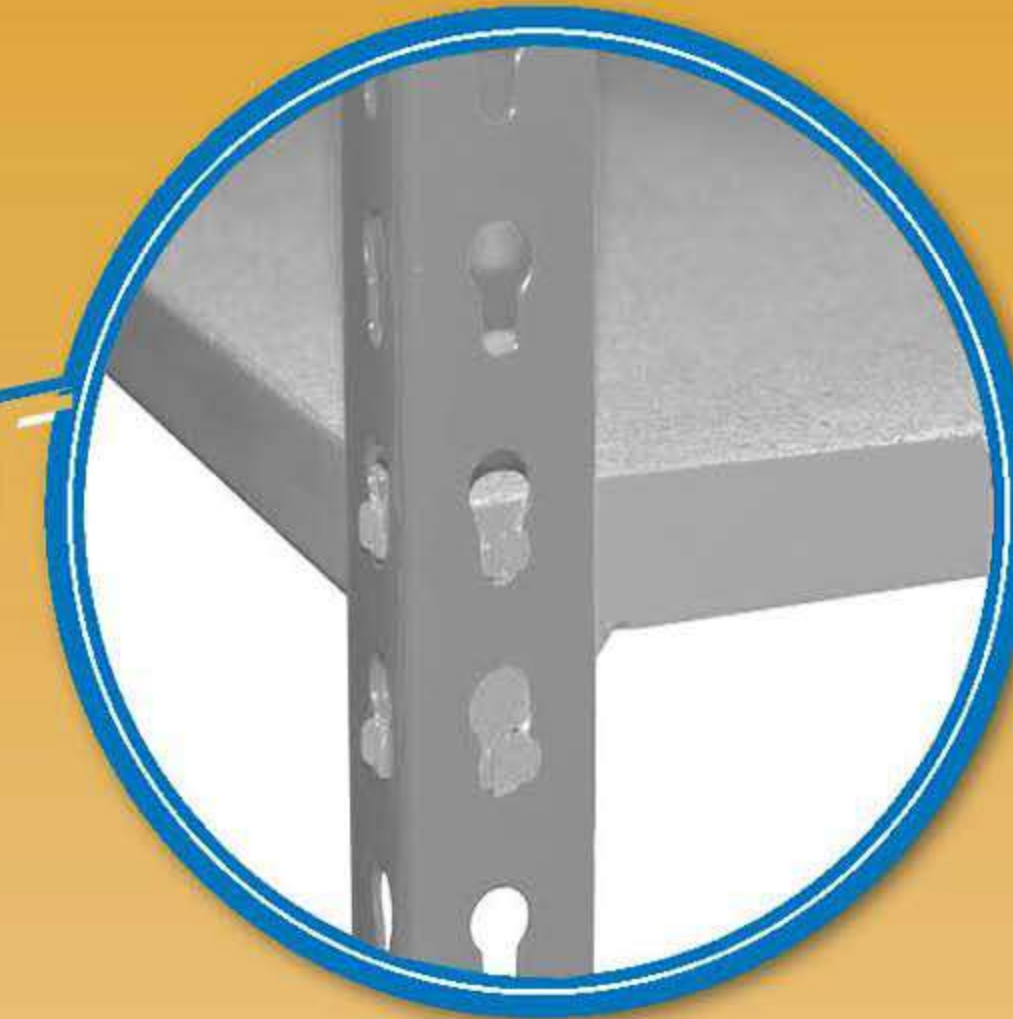
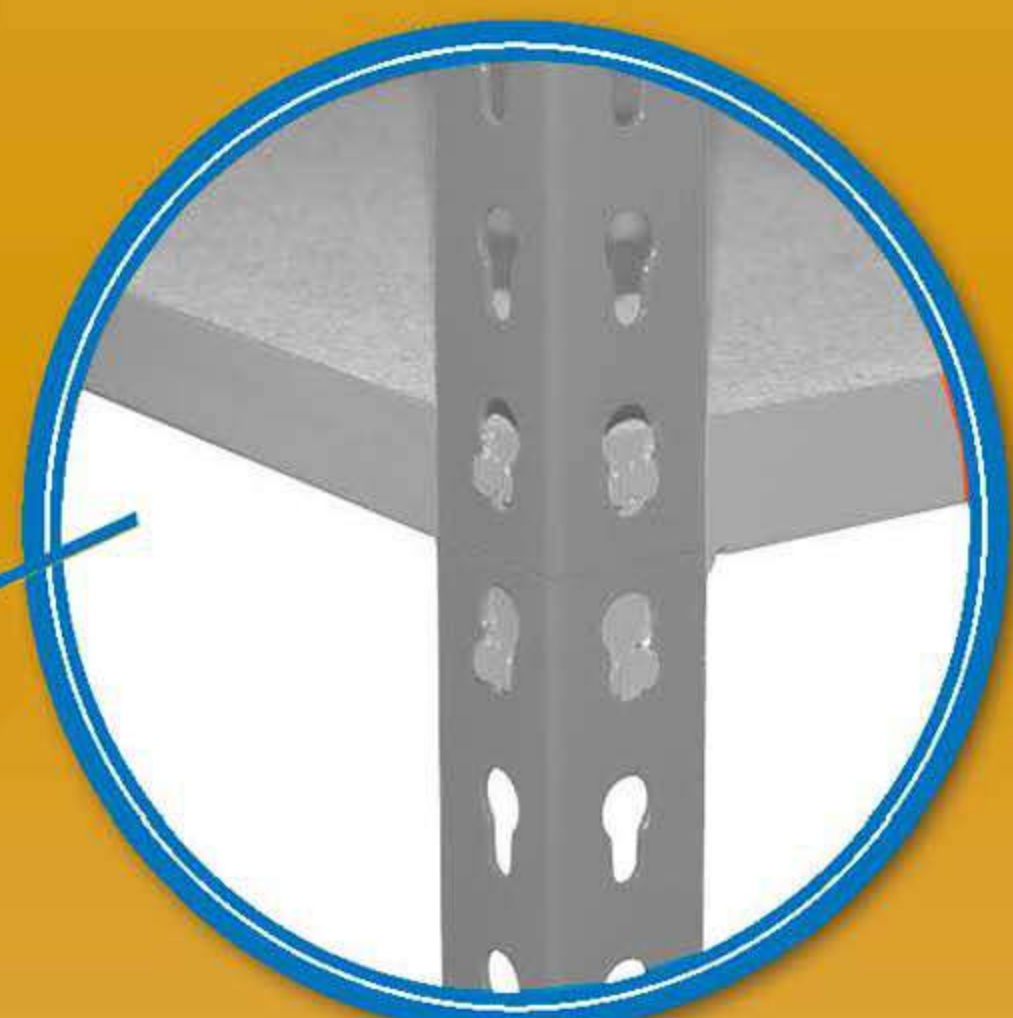
39.3" X 35.4" X 15.6"

MADERCLICK 3/400

5 Años Garantía
Years Guarantee
Jahre Garantie
Ans Garantie
Anos de Garantia
SIMONRACK



450 kg
(990 lb)
Total



*MEDIDAS EN USO / USED MEASUREMENTS
MASSNAHMEN IM EINSATZ / MEASURES EN EMPLOI / MEDIDAS EM USO:
991 x 910 x 410 mm (39" x 35.8" x 16.1")



ESTANTERIAS SIMON S.L. B.50.556.463
PG. ALFAMEN C/ POLIGONO C, N°3
ALFAMEN (ZARAGOZA)



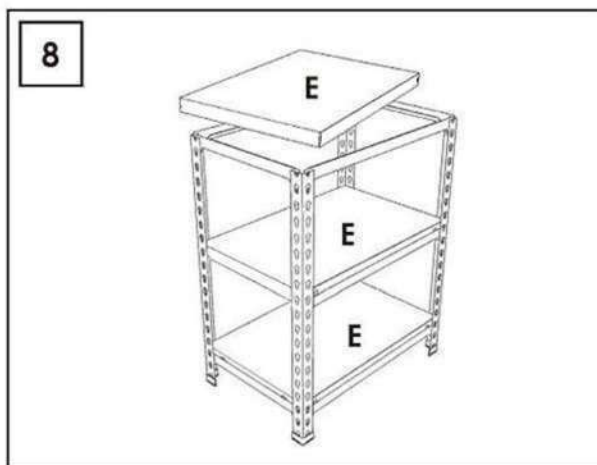
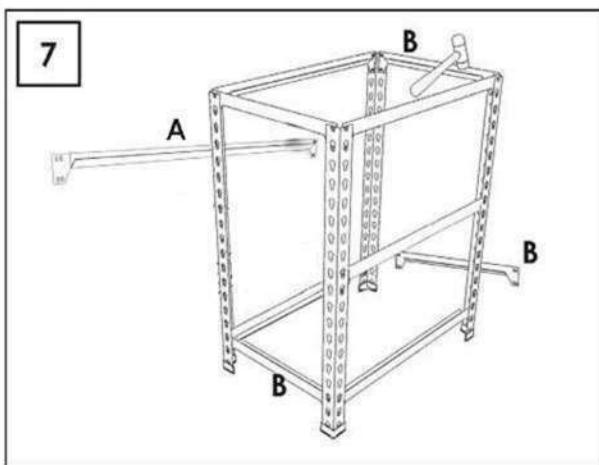
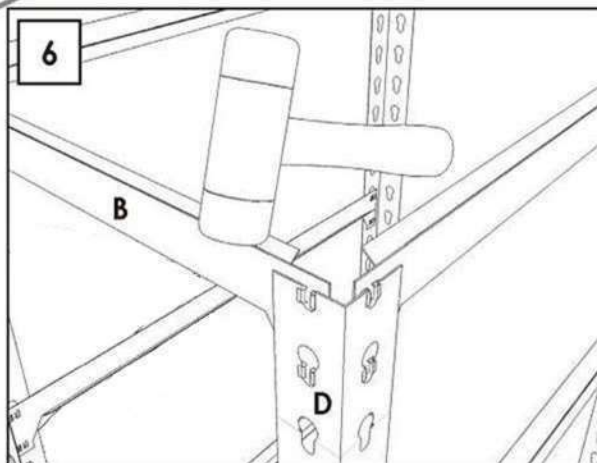
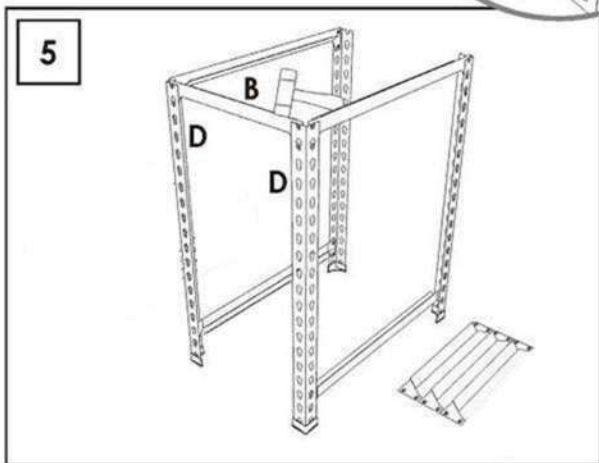
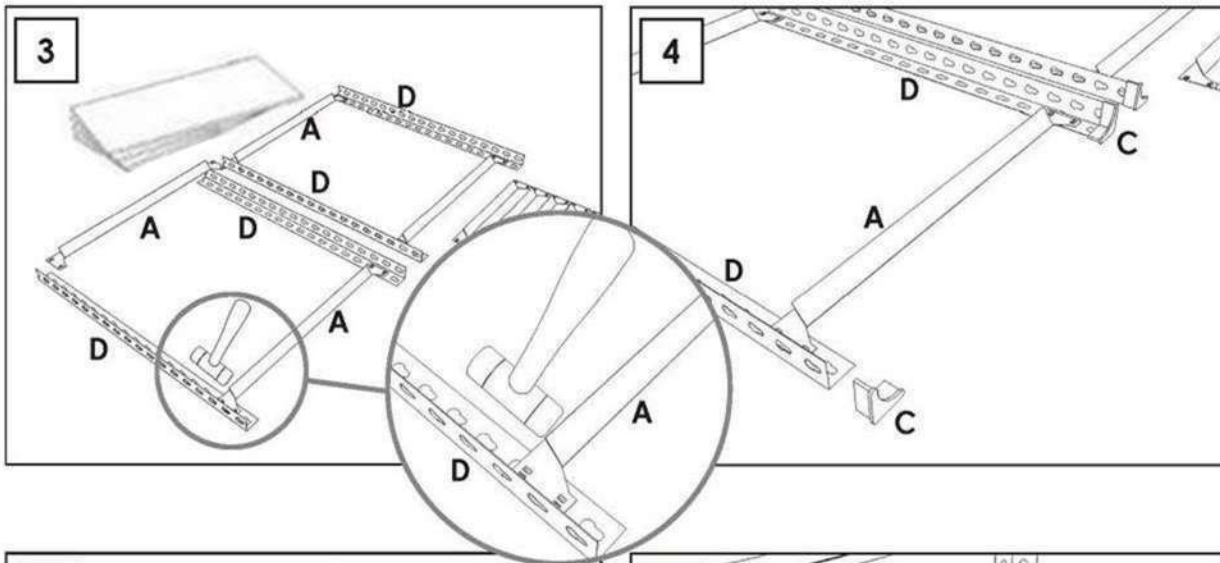
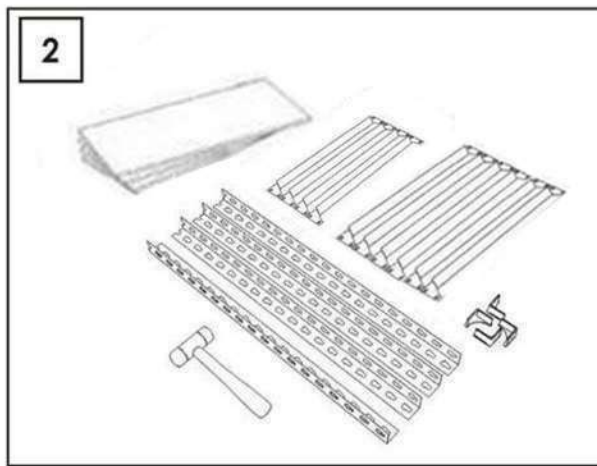
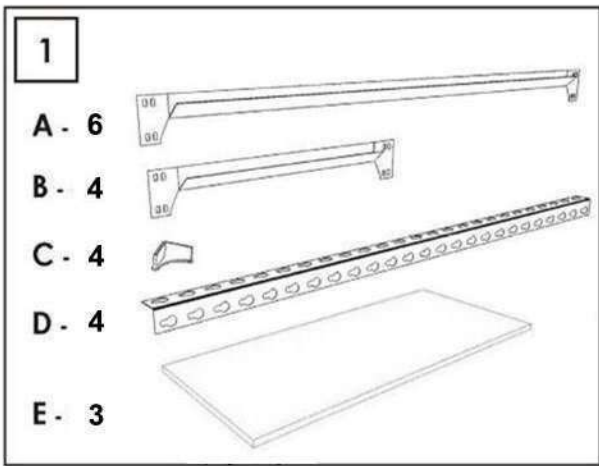
Simon Rack
SINCE 1964 - MANUFACTURER



www.simonrack.com



INSTRUCTIONS



SIMONCLASSIC



SIMONCLICK



SIMONTALLER



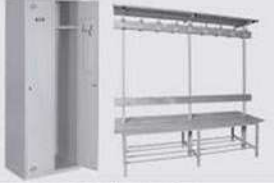
SIMONAUTO



SIMONWORK



SIMONLOCKER



SIMONOFFICE



SIMONHOME



SIMONGARDEN



SIMONTITAN



SIMONINOX



SIMONINDUSTRIAL

SIMONPALET



SIMONLEVER



AL TILLOS Y PASILLOS ELEVADOS
PLATFORMS AND MEZZANINES
LAGERBUHNEN • PLATES-FORMES ET MEZZANINES



* Kg / lb por bandeja con carga uniformemente repartida
Kg / lb per shelf uniformly distributed load
Kg / lb pro fach bei gleichmäßig verteilter last
Kg / lb par plateau avec charge uniformément répartie