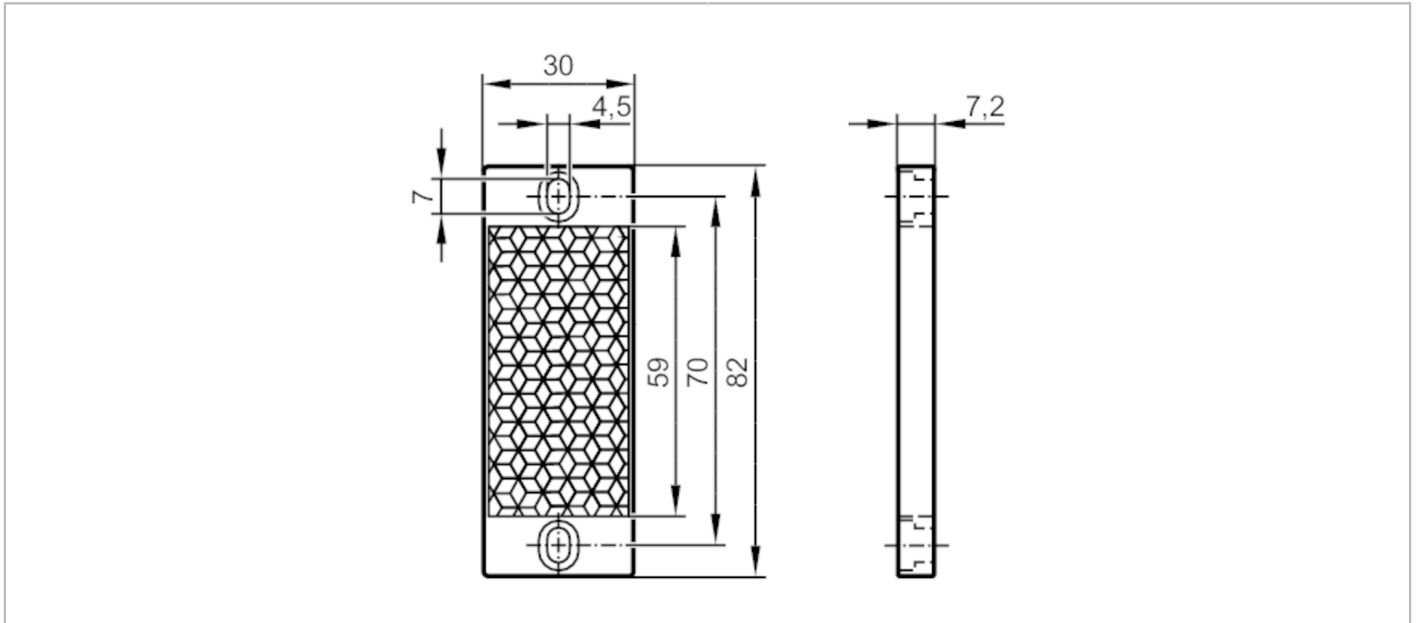


# E21254



## Reflector for retro-reflective sensors

REFLECTOR TS-30X59



### Application

Design rectangular, for red light and infrared light retro-reflective sensors

### Operating conditions

Ambient temperature [°C] -10...60

### Mechanical data

Weight [g] 15.7

Dimensions [mm] 82 x 7.2 x 30

Materials plastics

### Remarks

Pack quantity 1 pcs.