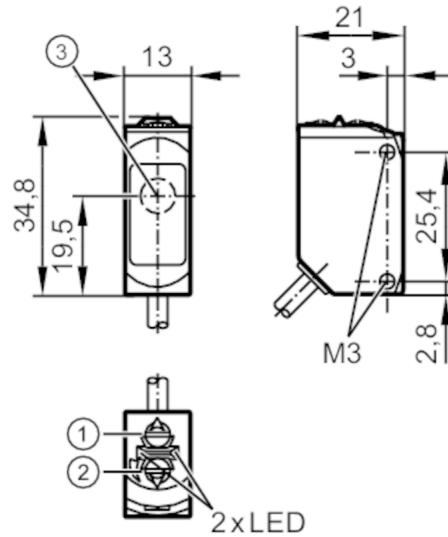


# O6E404



## Through-beam sensor receiver

O6E-FPKG/0,30m/US



- 1: output function switch
- 2: potentiometer sensitivity
- 3: Light incidence



### Product characteristics

Type of light	red light
Housing	rectangular
Dimensions [mm]	34.8 x 13 x 21

### Application

Function principle	Through-beam sensor
Application	suited for use in the machine tool industry

### Electrical data

Operating voltage [V]	10...30 DC
Current consumption [mA]	7; ((24 V))
Protection class	III
Reverse polarity protection	yes
Type of light	red light
Wave length [nm]	633

### Outputs

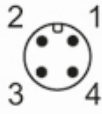
Electrical design	PNP
Output function	light-on/dark-on mode; (selectable)
Max. voltage drop switching output DC [V]	2.5
Permanent current rating of switching output DC [mA]	100
Switching frequency DC [Hz]	1000
Short-circuit protection	yes
Type of short-circuit protection	pulsed

# O6E404



## Through-beam sensor receiver

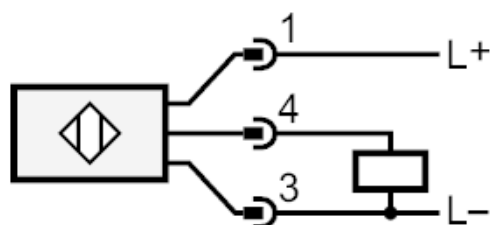
O6E-FPKG/0,30m/US

Detection zone		
Transmitter / receiver		receiver
Range [m]		< 10
Range adjustable		yes
Operating conditions		
Ambient temperature [°C]		-25...60
Protection		IP 65; IP 67; IP 68
Tests / approvals		
EMC	EN 60947-5-2	
MTTF [years]		954
UL approval	UL Approval no.	E020
Mechanical data		
Weight [g]		49.9
Housing		rectangular
Dimensions [mm]		34.8 x 13 x 21
Materials	housing: stainless steel (1.4404 / 316L); plastics: PPSU; Sealing: FKM	
Lens material		PMMA
Lens alignment		side lens
Displays / operating elements		
Display	switching status	1 x LED, yellow
	operation	1 x LED, green
Remarks		
Remarks	operating voltage "supply class 2" according to cULus	
Pack quantity	1 pcs.	
Electrical connection		
Cable: 0.3 m, PUR; 3 x 0.25 mm <sup>2</sup>		
Connector: 1 x M12		
		

## Through-beam sensor receiver

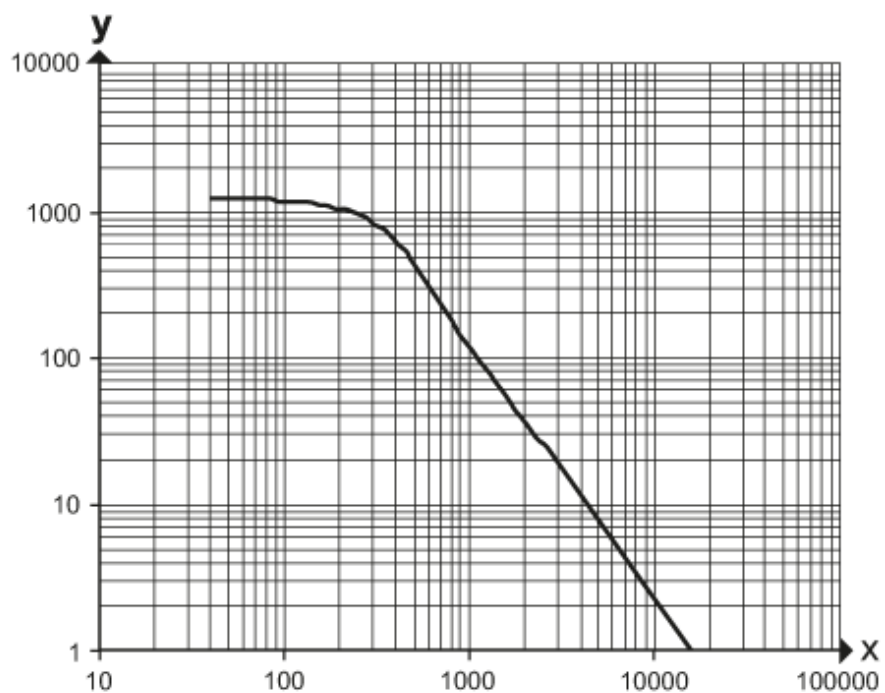
O6E-FPKG/0,30m/US

### Connection



### Diagrams and graphs

excess gain graph



x: distance [mm]

y: excess gain factor