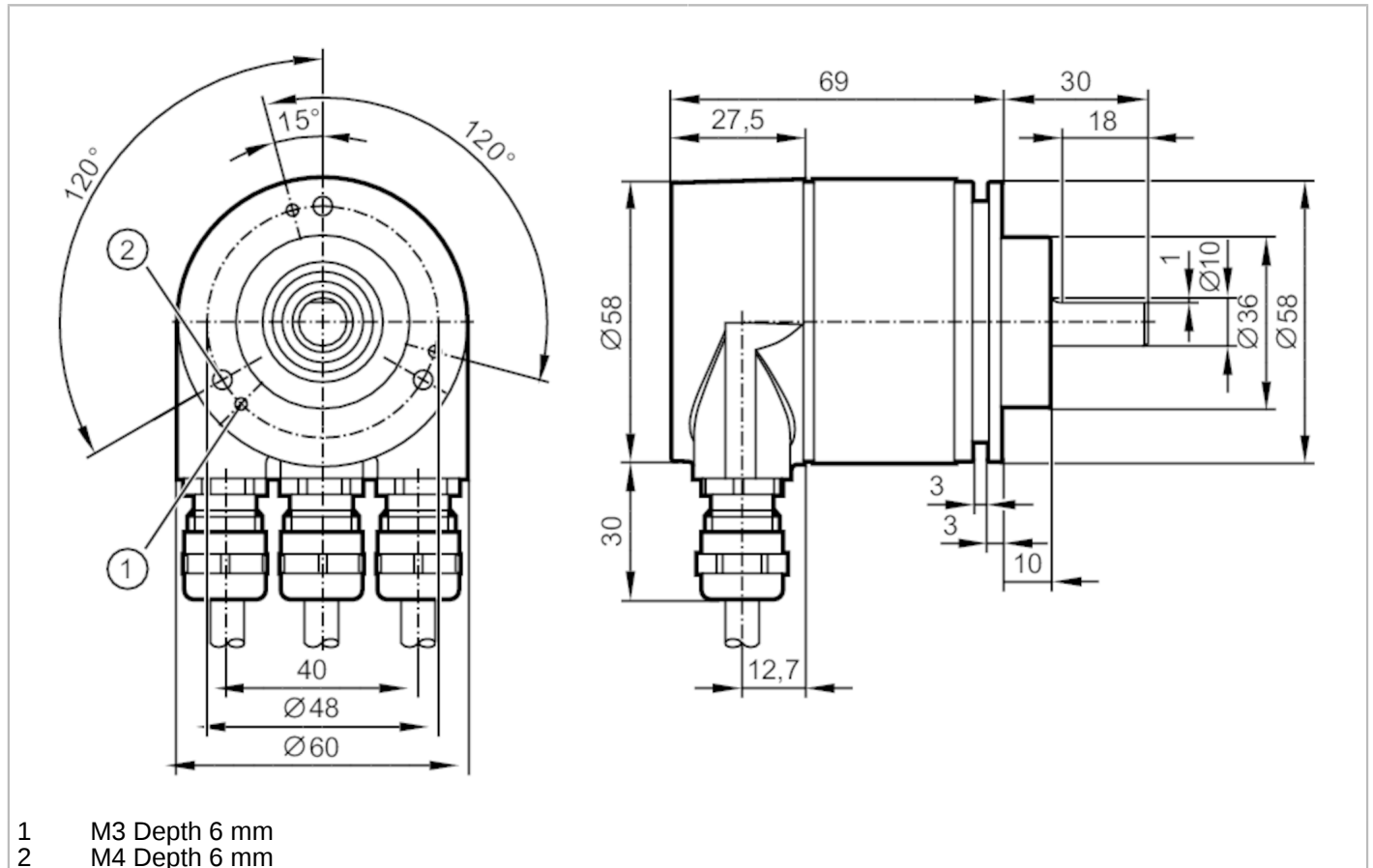


RN7012



Absolute singleturn encoder with solid shaft

RMK0013-C24/E



Product characteristics	
Resolution	8192 steps; 13 bit
Communication interface	CAN
Shaft design	solid shaft
Shaft diameter [mm]	10
Application	
Function principle	absolute
Revolution type	singleturn
Electrical data	
Operating voltage [V]	10...30 DC
Current consumption [mA]	100; ((10 V DC); 60 (24 V DC))
Reverse polarity protection	yes
Outputs	
Code	binary
Measuring/setting range	
Resolution	8192 steps; 13 bit
Software / programming	
Parameter setting options	CAN parameter; scaling; preset; Baud rate; direction of rotation; Node ID
Addressing	address selector switch; 0...126

RN7012



Absolute singleturn encoder with solid shaft

RMK0013-C24/E

Interfaces		
Communication interface	CAN	
Factory settings	Baud rate: 125 k	
	Node ID: 32	
CAN		
Protocol	CANopen; DSP - 406 V3.1; DS 301 V4.02; DS 306 V2.0	
Factory settings	Baud rate: 125 k	
	Node ID: 32	
Operating conditions		
Ambient temperature	[°C]	-40...85
Max. relative air humidity	[%]	98
Protection	IP 65; (IP 65: on the housing; IP 64: on the shaft)	
Tests / approvals		
Shock resistance		100 g (6 ms)
Vibration resistance		10 g (10...1000 Hz)
MTTF	[years]	13
Mechanical data		
Weight	[g]	555
Dimensions	[mm]	Ø 58 / L = 99
Materials		aluminium
Max. revolution, mechanical	[U/min]	12000
Shaft design		solid shaft
Shaft diameter	[mm]	10
Shaft material		steel (1.4104)
Max. shaft load axial (at the shaft end)	[N]	40
Max. shaft load radial (at the shaft end)	[N]	110
Fixing flange		clamping flange
Displays / operating elements		
Display	Preoperational Mode	LED, green flashing
	Operational Mode	LED, green
	error message	LED, red flashing
Electrical connection		
terminal strip in the terminal chamber:		