

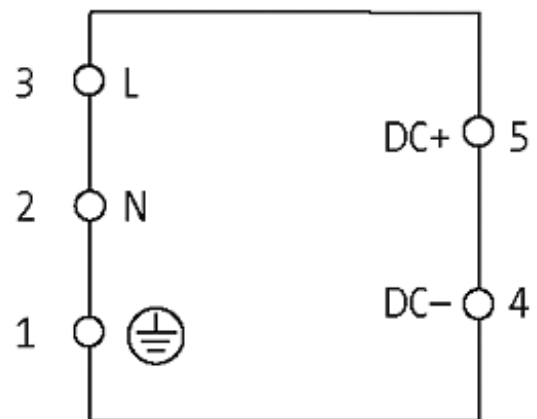
**MCS POWER SUPPLY 1-PHASE,**

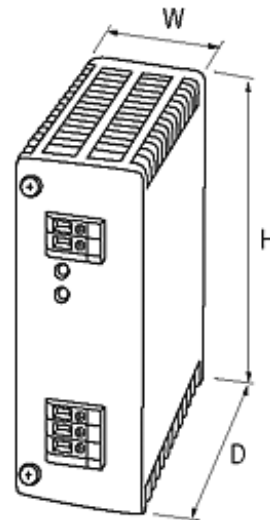
IN: 90-265VAC OUT: 20-30V/2,5ADC

INPUT: 90...265 V AC

OUTPUT: 20...30 V DC

Current: 2.5 A

[Link to Product](#)**Illustration**



Product may differ from Image

### Approvals



### Input

Input voltage	90...265 V AC; 110...300 V DC
Input current	1.1 A (115 V AC); 0.5 A (230 V AC)
Inrush current after 1 ms	max. 22 A
Primary fusing external	max. 10 A
Frequency	50...60 Hz

### General data

Standards	(EN 60950-1), (EN 61204-3), (EN 55022 B), (EN 61000-3-2)
Mounting method	DIN-rail mountable TH35 (EN 60715)
Efficiency	85 %
Relative humidity	5...95 %, no condensation
Dimensions H x W x D	107.5x42x97.5 mm
Temperature range	0...+60 °C (storage temperature -25...+85 °C)

### Output

Output voltage	24 V DC (SELV), $\pm 1$ %; 20...30 V adjustable
Output current	2.5 A (+60 °C); 3 A (+50 °C)
Mains failure bridging time	min. 10 ms (115 V AC); min. 70 ms (230 V AC)
Ripple	max. 20 mVrms
Spikes	max. 100 mV p-p
Unit protection	short-circuit and overload protected
LED display	LED (green) for output voltage
Parallel usage/serial usage	no/yes (max. 2 units)

**Commercial data**

country of origin	CZ
customs tariff number	85044090
minimum order quantity	1