



Model number

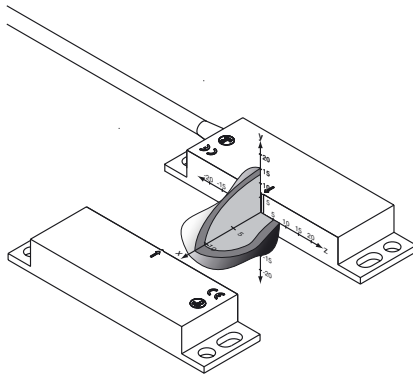
VAZ-IER1-ACTUATOR1-S

Actuator for non-contact AS-Interface Reed safety switch

Features

- Magnetically-coded actuator
- Compact plastic housing
- Especially suited to small doors and coverings

Operating distance

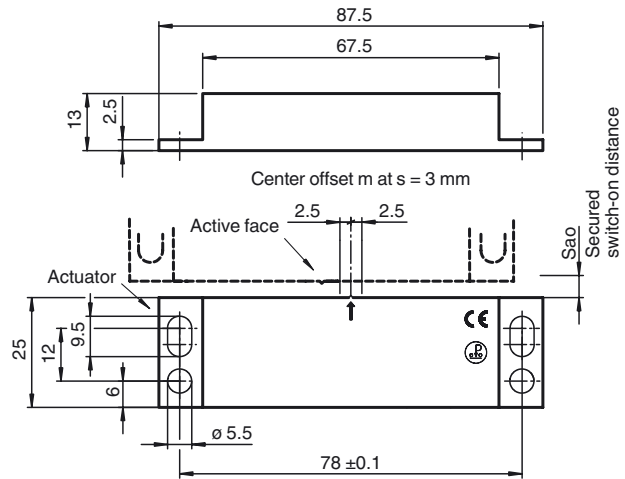


Matching system components

VAA-2E1A-IER1-S-1M-V1

Reed safety switch for non-contact AS-Interface safety switches

Dimensions



Technical data

General specifications

Detection type	magnetic
Center offset	m ± 2.5 mm at distance s = 3 mm
UL File Number	E155795

Ambient conditions

Ambient temperature	-20 ... 60 °C (-4 ... 140 °F)
---------------------	-------------------------------

Mechanical specifications

Protection degree	IP67
Material	
Housing	PPS
Installation	Active surface facing Read head
Mass	20 g

General information

Scope of delivery	1 actuator; 2 safety screws, M4 x 14
-------------------	--------------------------------------

Compliance with standards and directives

Directive conformity	
Machinery Directive 2006/42/EC	EN ISO 12100-1, -2:2003 EN 1088:1995+A2:2008
EMC Directive 2004/108/EC	IEC 60947-5-3:1999
Standard conformity	
AS-Interface	EN 50295:1999
Functional safety	ISO 13849-1:2008 (up to category 3/PL e) EN ISO 12100-1, -2:2003 EN 1088:1995+A2:2008
Protection degree	EN 60529:2000

Release date: 2011-02-04 14:45 Date of issue: 2014-01-13 210532_eng.xml