



ACTUATOR HEAD FOR POSITION SWITCH 3SE51/52
 ROLLER PLUNGER WITH PLASTIC ROLLER 10MM,
 FUNCTIONALITY AT -40 DEGREES

| | |
|---------------------|-----------------------------------|
| Product designation | actuator head for position switch |
|---------------------|-----------------------------------|

General technical data:

| | | |
|---|---|--------------|
| Product function | | Yes |
| • positive opening | | |
| Shock resistance | | 30g / 11 ms |
| Vibration resistance | | 0.35 mm / 5g |
| Mechanical service life (switching cycles) | | 15 000 000 |
| • typical | | |
| Material of the enclosure of the switch head | | plastic |
| Equipment marking | | |
| • acc. to DIN EN 61346-2 | | T |
| • acc. to DIN EN 81346-2 | | T |
| Active principle | | mechanical |
| Explosion protection category for dust | | none |
| Explosion protection category for gas | | none |
| Minimum actuating force in activation direction | N | 10 |

Enclosure:

| | |
|---------------------------------|-------------|
| Coating of the enclosure | Other types |
|---------------------------------|-------------|

Drive Head:

| | | |
|--|----|-----------------------------|
| Design of the operating mechanism | | metal lever, plastic roller |
| Standard-compliant actuator head | | EN 50047, design E |
| Shape of the switch head | | roller |
| Outer diameter of the switch head | mm | 13 |

Communication/ Protocol:

| | | |
|-------------------------|--|---------|
| Design of the interface | | without |
|-------------------------|--|---------|





Ambient conditions:

| | | |
|----------------------------|----|-------------|
| Ambient temperature | | |
| • during operation | °C | -40 ... +85 |
| • during storage | °C | -40 ... +90 |

Installation/ mounting/ dimensions:

| | | |
|-------------------|--|-------------------------|
| mounting position | | any |
| Mounting type | | lockable plug-in fixing |

Certificates/ approvals:

| General Product Approval | Declaration of Conformity | Test Certificates | other |
|---|--|---|--|
|  CSA |  UL |  EAC |  EG-Konf. |
| | | Special Test Certificate | Confirmation |

other

[Vibration Test Certificates](#)

Further information

Information- and Downloadcenter (Catalogs, Brochures,...)

<http://www.siemens.com/industrial-controls/catalogs>

Industry Mall (Online ordering system)

<http://www.siemens.com/industrymall>

Cax online generator

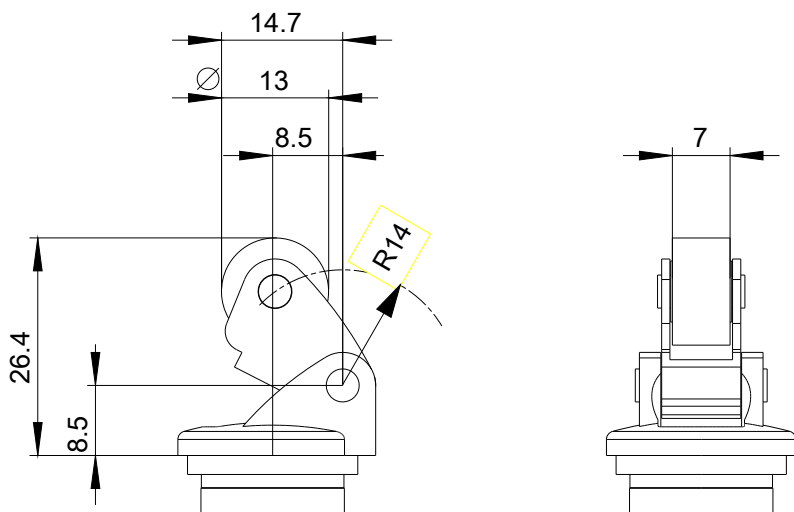
<http://support.automation.siemens.com/WW/CAXorder/default.aspx?lang=en&mlfb=3SE50000AE101AJ0>

Service&Support (Manuals, Certificates, Characteristics, FAQs,...)

<http://support.automation.siemens.com/WW/view/en/3SE50000AE101AJ0/all>

Image database (product images, 2D dimension drawings, 3D models, device circuit diagrams, EPLAN macros, ...)

http://www.automation.siemens.com/bilddb/cax_de.aspx?mlfb=3SE50000AE101AJ0&lang=en



last modified:

16.03.2015