

Temperature Sensor

FXDD101

Part Number

weFlux² InoxSens



- FDA compliant
- Response time T90: < 2 seconds
- Robust stainless steel housing with IP69K
- Temperature measuring range: -50 ... +200° C

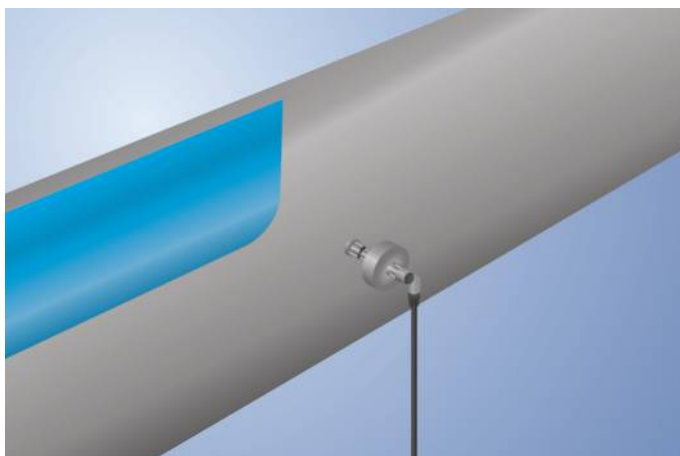
Technical Data

Sensor-specific data	
Sensor element	PT1000, Class B
Temperature Measurement Range	-50...200 °C
Medium	Liquids, gases
Response Time	< 2 s
Environmental conditions	
Temperature of medium	-50...200 °C
Ambient temperature	-25...80 °C
Storage temperature	-25...80 °C
Pressure Resistance	100 bar
Shock Resistance	IEC 60751
Vibration resistance	IEC 60751
Mechanical Data	
Housing Material	1.4404
Material in contact with media	1.4404
Degree of Protection	IP68/IP69K *
Connection	M12 × 1; 4-pin
Process Connection	Cutting/locking ring
Process Connection Length (PCL)	59 mm
Probe Length (PL)	50 mm
Safety-relevant Data	
MTTFd (EN ISO 13849-1)	31062,7 a

PT1000	●
Connection Diagram No.	140
Suitable Connection Equipment No.	2
Suitable Mounting Technology No.	907 908

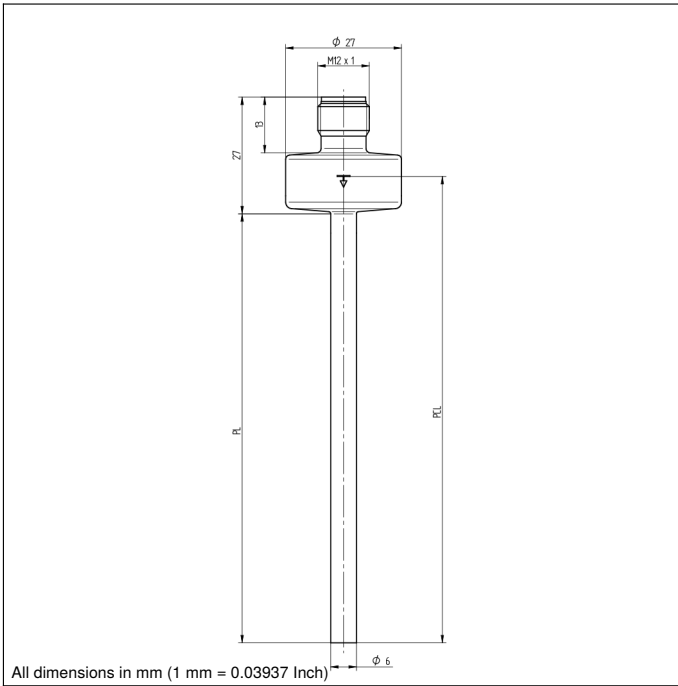
* Tested by wenglor

weFlux² Temperature Sensors ensure precise temperature measurement of liquids and gases in closed piping systems. It's easy to incorporate the standardized PT100/PT1000 resistance value into the controller. The compact housing with a diameter of just 27 mm is made of V4A stainless steel and features an easy-to-clean surface. Thanks to their rugged housing and functional design, the Temperature Sensors are FDA compliant.

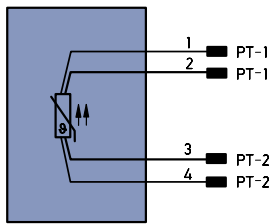


Complementary Products

ZH6C00x Adapter to G1/4"



140


Legend

+ Supply Voltage +	PT Platinum measuring resistor	EN_{A/RS422} Encoder A/ \bar{A} (TTL)
- Supply Voltage 0 V	nc not connected	EN_{B/RS422} Encoder B/ \bar{B} (TTL)
~ Supply Voltage (AC Voltage)	U Test Input	EN_A Encoder A
A Switching Output (NO)	\bar{U} Test Input inverted	EN_B Encoder B
\bar{A} Switching Output (NC)	W Trigger Input	A_{MIN} Digital output MIN
V Contamination/Error Output (NO)	W- Ground for the Trigger Input	A_{MAX} Digital output MAX
\bar{V} Contamination/Error Output (NC)	O Analog Output	A_{OK} Digital output OK
E Input (analog or digital)	O- Ground for the Analog Output	SY_{in} Synchronization In
T Teach Input	BZ Block Discharge	SY_{OUT} Synchronization OUT
Z Time Delay (activation)	A_{WV} Valve Output	OL_T Brightness output
S Shielding	a Valve Control Output +	M Maintenance
RxD Interface Receive Path	b Valve Control Output 0 V	rsv reserved
TxD Interface Send Path	SY Synchronization	Wire Colors according to IEC 60757
RDY Ready	SY- Ground for the Synchronization	BK Black
GND Ground	E+ Receiver-Line	BN Brown
CL Clock	S+ Emitter-Line	RD Red
E/A Output/Input programmable	\pm Grounding	OG Orange
 IO-Link	S_{nR} Switching Distance Reduction	YE Yellow
PoE Power over Ethernet	Rx+/- Ethernet Receive Path	GN Green
IN Safety Input	Tx+/- Ethernet Send Path	BU Blue
OSSD Safety Output	Bus Interfaces-Bus A(+)/B(-)	VT Violet
Signal Signal Output	L_a Emitted Light disengageable	GY Grey
Bl_D+/- Ethernet Gigabit bidirect. data line (A-D)	Mag Magnet activation	WH White
EN_{0/RS422} Encoder 0-pulse 0-0 (TTL)	RES Input confirmation	PK Pink
	EDM Contactor Monitoring	GNYE Green/Yellow

