

Miniature Slide Switches

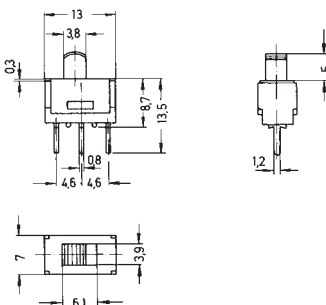
Specifications:

Contact rating:	250 V AC, 3 A / 125 V AC, 6 A / 30 V DC, 4 A
Contact resistance:	< 20 mΩ
Insulation resistance:	> 1000 MΩ at 500 V DC
Dielectric strength:	1500 V, 50 Hz for the duration of 1 minute
Operating temperature:	- 10° to + 60° C
Mechanical life:	minimum 20 000 operations
Contacts:	coin silver (common contact copper alloy, silver-plated) also available: gold-plated, version G (see page 4)
Terminals:	MFP PC terminals; MFS solder tags
Case material:	PBT, with glass fibre
Slide colour:	black
Soldering conditions:	auto-soldering - max.: 5 sec, 260° C ± 5° C hand-soldering - max.: 5 sec, 300° C

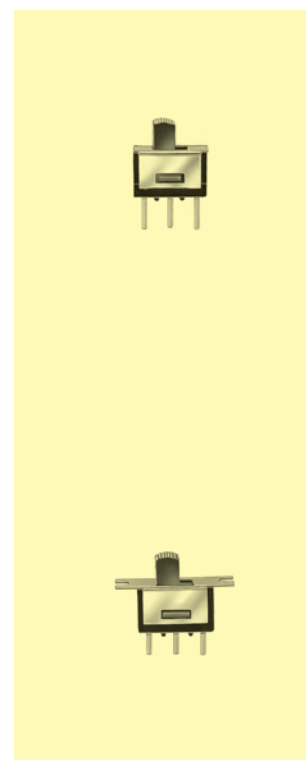
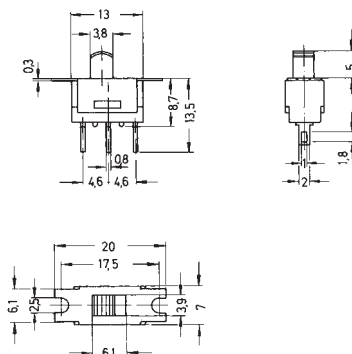
4

Models: Switching functions

SPDT
MFP 106 D on - on



SPDT
MFS 106 D on - on





Miniature Slide Switches

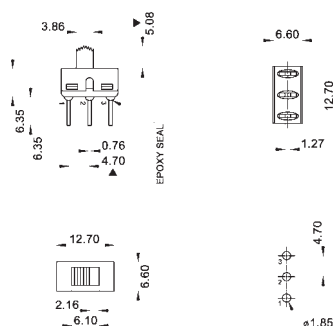
Specifications:

Contact rating:	20 V AC or DC, 0,4 VA
Contact resistance:	< 10 mΩ
Insulation resistance:	> 1000 MΩ
Dielectric strength:	1000 V, 50 Hz for the duration of 1 minute
Operating temperature:	- 30° to + 85°
Mechanical life:	minimum 30 000 operations
Contacts/ Terminals:	PC terminals or solder tags, brass gold-plated
Material:	case: PA, slide: PA
Soldering conditions:	auto-soldering – max.: 5 sec, 260° C ± 5° C hand-soldering – max.: 5 sec, 300° C

Models: Switching functions

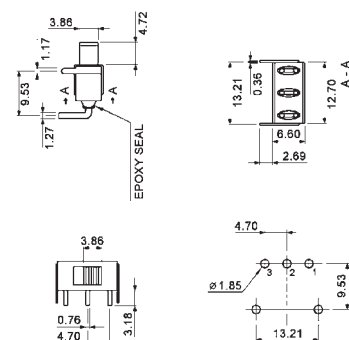
S P D T

MFP 126 DB – PC on – on



S P D T

MFP 126 DB – RA on – on



S P D T

MFS 126 DB on – on

