

5

4

3

2

1

DRAWING NO. 32-1004-CUST(SEE TABLE I)				
REVISIONS				
01	OFFICIAL RELEASE			2009.09.0
	08-12-09	Y U	Y U	T H

Description: See Table I  
 Part No: See Table I  
 Application: Unshielded Modular In-line Coupler  
 Cross Wired for Voice Applications  
 Crimp Tool: N/A  
 Impedance: N/A  
 Frequency Range: N/A  
 Material: Wire 26AWG,PVC,OD1.0mm,UL1061  
 Housing ABS,Color See Table I  
 Pin Phosphor Bronze,Copper Plated  
 RoHS Compliance: Yes  
 Technical Detail: N/A



受控 CONTROLLED DOCUMENT					
编号 P/N	30-1004-CUST	版本 Rev	01	日期 Rel'd Date	SEP 14,09

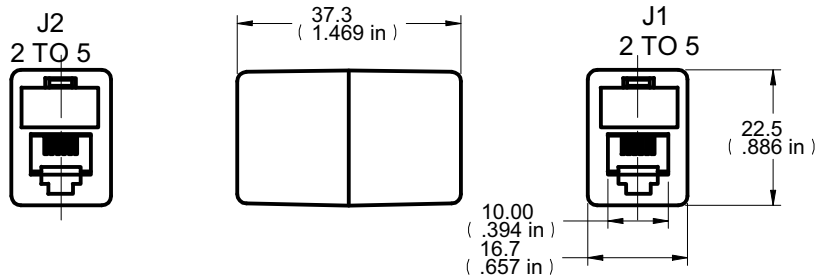
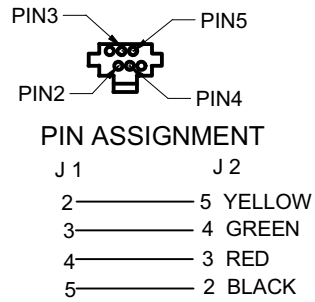


TABLE I

P/N	Description	Color
32-1004	RJ11 6P4C COUPLER X-WIRED,IV	Ivory
32-1004W	RJ11 6P4C COUPLER X-WIRED,WH	White



**DIM OUTLINE**

**CUSTOMER COPY**



TOLERANCE UNLESS OTHERWISE SPECIFIED		DRAWN BY	DATE
DECIMALS	mm	BETTY.YU	08-12-09
X	± 0.5	CHECKED BY	DATE
X.X	± 0.3	BETTY.YU	08-12-09
X.XX	± 0.1	APPROVED BY	DATE
ANGLES	± 0.5°	THOMAS	08-12-09
		U/M	mm

TITLE RJ11 6P4C COUPLER X-WIRED,IV (SEE TABLE I)		
SHEET 1 OF 1	DRAWING NO. 32-1004-CUST (SEE TABLE I)	SIZE A

THIS DRAWING WAS PRODUCED BY COMPUTER, DO NOT SCALE DRAWING OR UPDATE MANUALLY.

D

C

B

A

D

C

B

A

5

4

3

2

1