

# EUROPEAN 2-PIN PLUG-IN POWER SUPPLY 12VDC 6WATT

## POWERPAX: SW4312-F



### Features:

- European Fixed AC Head
- 1 Year Warranty
- Level VI Efficiency
- CE Approved

### Description:

Our Range of Class II 6 Watt AC/DC European plug-in power supplies provide 6 Watts of continuous power in a compact fixed wall plug enclosure suitable for use in many general power applications.

Specification	
Part Number	SW4312-F
Input Voltage Range	90-264Vac
Input Frequency Range	50/60Hz ±3Hz
Input Current Rated	0.18A Max
Output Voltage Rating	+12 V
Output Current Range	0.5A
Output Min Current	0.01A
Output Connection Type	2.1x5.5x12mm Centre Positive – Straight
Rating Output Power	6.0W
Line and Load Regulation	+/- 5%
Ripple & Noise	200mVp-p
Efficiency	79.03% Min
Over Current Protection	The output shall be protected against the over current conditions.
Short-circuit protection	The adapter shall not be damaged by short the DC output to Ground. The adapter shall resume normal operation when a short circuited fault condition is removed.
Operating Temperature	0°C to +40°C
Storage Temperature	-20°C to +80°C
Operating Humidity	10% to 90%
Storage Humidity	10% to 90%
Hi-Pot	3000Vac 5mA 1min
Leakage Current	0.25mA max
Safety Standard	GS meet TUV/VDE-EN60950-1 CE meet Declared & CE Mark
EMC Standard	FCC part 15: Class B EN55022, Class B EN 55024 EN 61000-4-2 EN 61000-4-3 EN 61000-4-4 EN 61000-4-5
MTBF	50K Hours
Size mm max.	55.1(L) x 24.1(W) x 35.49(H)
Weight	60g

#### General Note

TT Electronics reserves the right to make changes in product specification without notice or liability. All information is subject to TT Electronics' own data and is considered accurate at time of going to print.

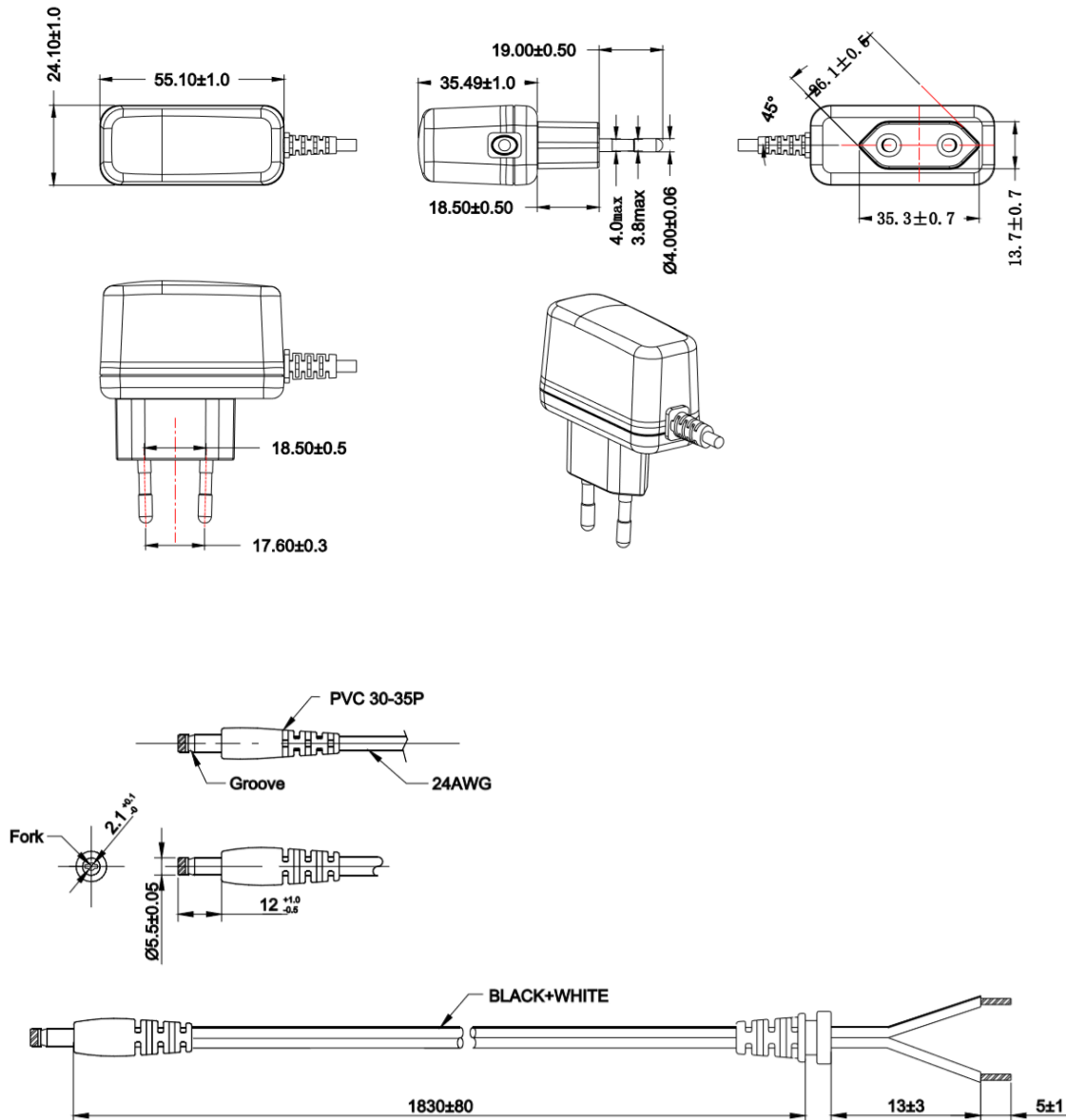
### POWERPAX

TT Electronics IoT Solutions Ltd  
Tofts Farm East, Brenda Road, Hartlepool, TS25 2BQ, UK  
t: +44 (0) 1429 852 500

# EUROPEAN 2-PIN PLUG-IN POWER SUPPLY 12VDC 6WATT

## POWERPAX: SW4312-F

### Diagrams



#### General Note

TT Electronics reserves the right to make changes in product specification without notice or liability. All information is subject to TT Electronics' own data and is considered accurate at time of going to print.

### POWERPAX

TT Electronics IoT Solutions Ltd  
Tofts Farm East, Brenda Road, Hartlepool, TS25 2BQ, UK  
t: +44 (0) 1429 852 500