

Yealink MeetingBoard Releasing Creative Productivity

Yealink MeetingBoard leads a revolution in next generation of collaboration space solution, a real all-in-one design that fits all meeting rooms. Powered by Yealink-Genic Premium Audio Processing and Enhanced AI Video Tracking, it delivers an immersive meeting experience that brings everyone into real. MeetingBoard is not just a meeting device - together with native Microsoft Teams or Zoom App, it gives you the ultimate fluent digital paper writing experience. People can join the online meeting and do the brainstorming, project planning, problem solving or any other collaboration activities on the cloud whiteboarding service from anywhere at any time. More flexibility as it is designed with extended Optical PTZ camera, wireless microphones, 2nd touchscreen, windows OPS, upgradable Android OPS module as well as wireless USB-BYOD mode. Just one device but comes with many possibilities to unleash the productivity for work.



65/86 inch LED
Touch Screen



Built-in 4K Camera



Optional PTZ
Camera



16 MEMS MIC Array



4+2 Stereo
SPK Array



AI Noise
Cancellation



Smart Inking



Dual OS



Key Features and Benefits

Smart Collaboration Whiteboard

MeetingBoard with native Teams or Zoom experience is equipped with Android 10. A 65 or 86-inch LED touch screen and the tailored operation interface bring a rich 4K visual presentation and easy menu navigation. There is a four-level input smart digital ink recognition feature supported on the touch - writing with pen tip, navigating with fingers, erasing with pen tail and palm rejection. Multi-inking simultaneously is also supported for multi people collaboration on one board to create and express themselves freely. Most importantly, a cloud application provided by Teams or Zoom could allow everyone to join and collaborate at any place. The collaborative diagram, productive templates and the other crucial components are empowering attendees to gather their innovative ideas efficiently.

Professional Conferencing AI Video Experience

The built in 4K camera is paired with an image sensor that is professional in terms of sharpness, color rendition and noise handling to provide a FHD video conferencing experience. Not to mention the classic real time Auto Framing and Speaker Tracking, there are more AI based camera tracking features like Picture in Picture, Presenter Tracking, People Feed and the others would be supported on MeetingBoard to draw attendees into an immersive conference environment.

Premium Full-Duplex Conferencing Experience

Built-in 16 MEMS beamforming microphone arrays make MeetingBoard have a strong ability of noise proof and reverberation suppression. The new gen beamforming algorithm, together with enhanced AI technology of processing on acoustic echo cancellation and the reverberation suppression, brings high-quality 8m full-duplex call and realizes more precise voice pickup. In addition, 4+2 stereo microphones provide spatial stereo video, as if all participants are sitting across the table from each other.

Fit to All Rooms, One Stop Solution

Corporate could be easy to build a complete intelligent meeting space by pairing MeetingBoard with Yealink Room Panel, Room Sensor, and Touch Console. Not only that, but it also realized just one tap to achieve seamless switching Windows/Android platforms or BYOD mode, this brings immeasurable usage possibilities to MeetingBoard. To extend to a medium or large meeting space, MeetingBoard can also breezes through to cover by connecting with detachable optical PTZ camera, wireless expansion microphones and cascading dual-touch display.

- ALL-IN-ONE design
- Android 10
- 4K built-in camera
- Electric privacy shutter
- Enhanced AI Noise Cancellation
- Detachable optional PTZ camera for larger space
- Extended wireless microphones
- Dual-screen supported
- WIFI6 wireless presentation
- Wireless BYOD*
- Windows OPS Module
- Upgradeable Android OPS Module
- Teams Whiteboard
- Zoom Whiteboard
- Microsoft Teams certified
- Zoom certified
- Wall mounted / Floor stand

Display

- MeetingBoard 65: 65-inch D-LED touch screen
- MeetingBoard 86: 86-inch D-LED touch screen
- Ultra HD 4K (3840 x 2160 screen resolution)
- Anti-glare and anti-fingerprint coating
- Contrast ratio 1200:1 (typ.)
- Viewing angle 178°(H) / 178°(V)
- Ratio 16:9
- Refreshing Frequency 60Hz
- Touch Points 20 points
- Location Accuracy ±1mm(over 90% Area)
- Contact Height < 2mm

Camera

- 8MP Sony sensor
- 120° Diagonal field of view
- 4x e-PTZ
- Electric privacy shutter
- MB-Camera-6X
 - 8MP Sony sensor
 - 6x optical zoom
 - FOV: 80°
 - HFOV (Rotational): ±100°
 - VFOV (Rotational): 0° /-90°
- MB-Camera-12X*
 - 8MP Sony sensor
 - 12x optical zoom
 - FOV: 90°
 - HFOV (Rotational): ±100°
 - VFOV (Rotational): 0° /-90°
- Intelligence Features
 - Auto Framing
 - Speaker Tracking
 - Multi-focus Framing (Integrated)
 - PiP Mode
 - Smart Gallery (Zoom)

Audio

- Built-in 16 MEMS Mic Array
- 4 full range+2 tweeter stereo speakers
- Support RCA input/output
- Yealink Enhanced Noise Proof Technology
- Acoustic Echo Cancellation
- Reverberation Suppression
- Auto Gain Control
- Beamforming Technology
- CNG/PLC/AJB/De-Rerb

Operating System

- Android 10

Meeting Features

- Calendar
- One-click join
- Meeting collaboration

- Content sharing
- Whiteboard
- Meeting control
 - Add participates
 - Hold/Resume
 - Camera On/Off
 - Mute/Unmute
 - Volume Up/Down
 - Hang up

Teams Edition

- Microsoft Teams Admin Center
- Proximity join

Zoom Edition

- Zoom DM
- Direct sharing

Video Standard

- Video codecs: H.264 High profile, H.264 SVC, H.264

Network and Security Features

- IPv4 and IPv6, DHCP/static IP
- HTTP/HTTPS web server
- SRTP/TLS, AES 256-bit encryption
- QoS: 802.1p/q, Diff-serv
- VLAN, LLDP
- IEEE802.1X
 - EAP-MD5/EAP-TLS
 - PEAP-MSCHAPv2
 - EAP-TTLS/EAP-MSCHAPv2
- Network diagnosis: Ping, Trace route
- Time and date synchronization using SNTP
- Built-in certificate
- Simple Certificate Enrollment Protocol (SCEP)

Connections

- 1 x detachable PTZ camera port
- 1 x HDMI output (CEC supported)
- 1 x HDMI input (only for source input)
- 2 x RCA audio input
- 2 x RCA audio output
- 1 x Yealink VCH port (RJ-45)
- 3 x USB Type A
- 1 x 10/100M/1000M Ethernet port
- 1 x Power port
- 1 x Windows OPS slot
- 1 x Security lock slot
- 1 x Reset slot
- Motion sensor
- WiFi6 2x2 MIMO dual-band
- Built-in Bluetooth 5.0
- NFC supported

Buttons

- LED lightstrips
- Home button
- Input source button
- Volume up/down button

Optional Accessories

- MB-CAM-6X module
- MB-CAM-12X module*
- VCM36-W wireless microphone
- WPP30 wireless sharing &BYOD dongle*
- Windows OPS module

Other Physical Features

- Storage: built-in 64 GB (Available: 40G)
- Power Adapter: AC 100~240V input
- USB Output: 5V \equiv 0.5A
- Power consumption
 - MeetingBoard 65: 128w
 - MeetingBoard 86: 338w
- Dimension (W.D.H)
 - Wall mount:
 - MeetingBoard 65: 1512mm x 953mm x 92mm
 - MeetingBoard 86: 1967mm x 1205mm x 96mm
 - Floor stand:
 - MeetingBoard 65: 1160mm x 1193mm x 653mm
 - MeetingBoard 86: 1474mm x 1142mm x 750mm
- Operating humidity: 10~95%
- Operating temperature: 0~40°C
- Storage temperature: -30~70°C

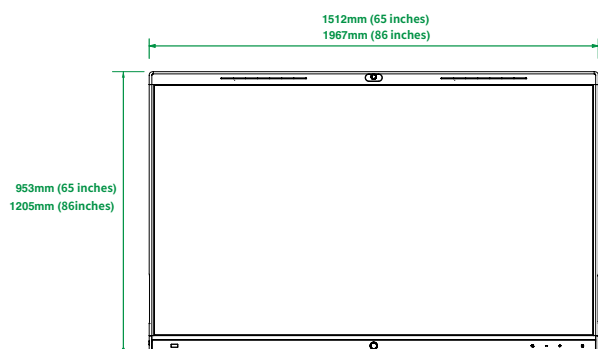
Package Features

- Package contents
 - MeetingBoard 65/86 endpoint
 - 3m Ethernet cable
 - 3m Power cable
 - 1 x 1.8m HDMI cable
 - 4 x Stylus pen
 - Mounting Bracket and Accessories
 - Quick Start Guide
- N.W/CTN: 51 kg
- G.W/CTN: 65.7 kg
- Carton Meas
 - MeetingBoard 65: 1660mm x 1075mm x 280mm
 - MeetingBoard 86: 2090 mm x 1320mm x 280mm
 - Floor stand (optional)-65: 1225mm x 743mm x 148mm
 - Floor stand (optional)-86: 1425mm x 843mm x 148mm

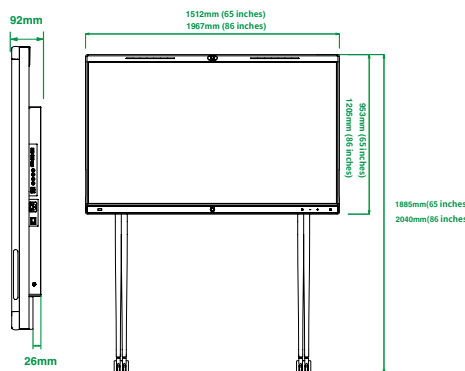
Compliance



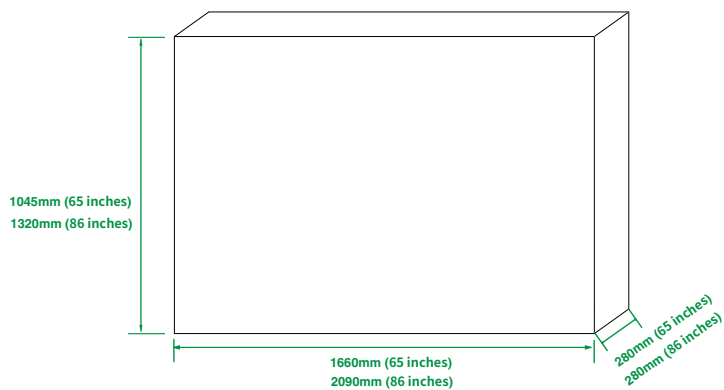
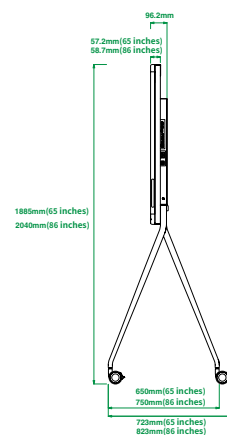
* Features and accessories coming soon



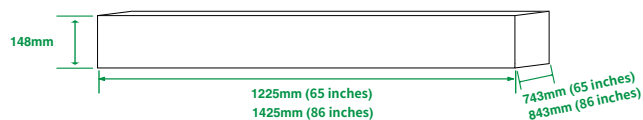
Wall mount



Floor stand



MeetingBoard carton meas



Floor stand carton meas

About Yealink

Yealink (Stock Code: 300628) is a global brand that specializes in video conferencing, voice communications and collaboration solutions with best-in-class quality, innovative technology and user-friendly experience. As one of the best providers in more than 140 countries and regions, Yealink ranks No.1 in the global market share of SIP phone shipments (Global IP Desktop Phone Growth Excellence Leadership Award Report, Frost & Sullivan, 2019).

Copyright

Copyright © 2023 YEALINK(XIAMEN) NETWORK TECHNOLOGY CO., LTD.

All rights reserved. No parts of this publication may be reproduced or transmitted in any form or by any means, electronic or mechanical, photocopying, recording, or otherwise, for any purpose, without the express written permission of Yealink(Xiamen) Network Technology CO., LTD.

Technical Support

Visit Yealink WIKI (<http://support.yealink.com/>) for firmware downloads, product documents, FAQ, and more. For better service, we sincerely recommend you to use Yealink Ticketing system (<https://ticket.yealink.com>) to submit all your technical issues.



YEALINK(XIAMEN) NETWORK TECHNOLOGY CO.,LTD.
Web: www.yealink.com
Addr: No.666 Hu'an Road, High Tech Park,
Huli District, Xiamen, Fujian, P.R.C
Copyright©2023 Yealink Inc. All right reserved.