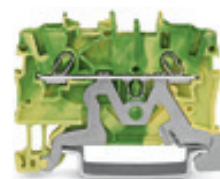


2-conductor ground terminal block; suitable for Ex e II applications

Item No.: 2000-1207



2-conductor ground terminal block; suitable for Ex e II applications

Marking

RoHS ✓
Compliant

Business data

Supplier	WAGO
Item no.	2000-1207
GTIN / EAN	4045454966829
Content	1
Order amount	100
Customer item number	

Notes

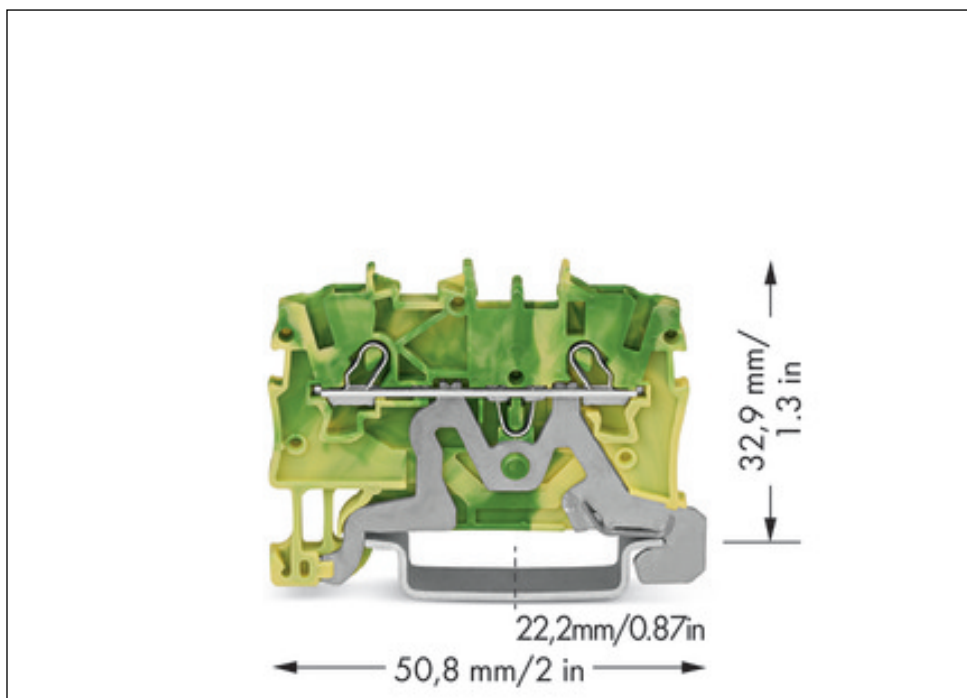
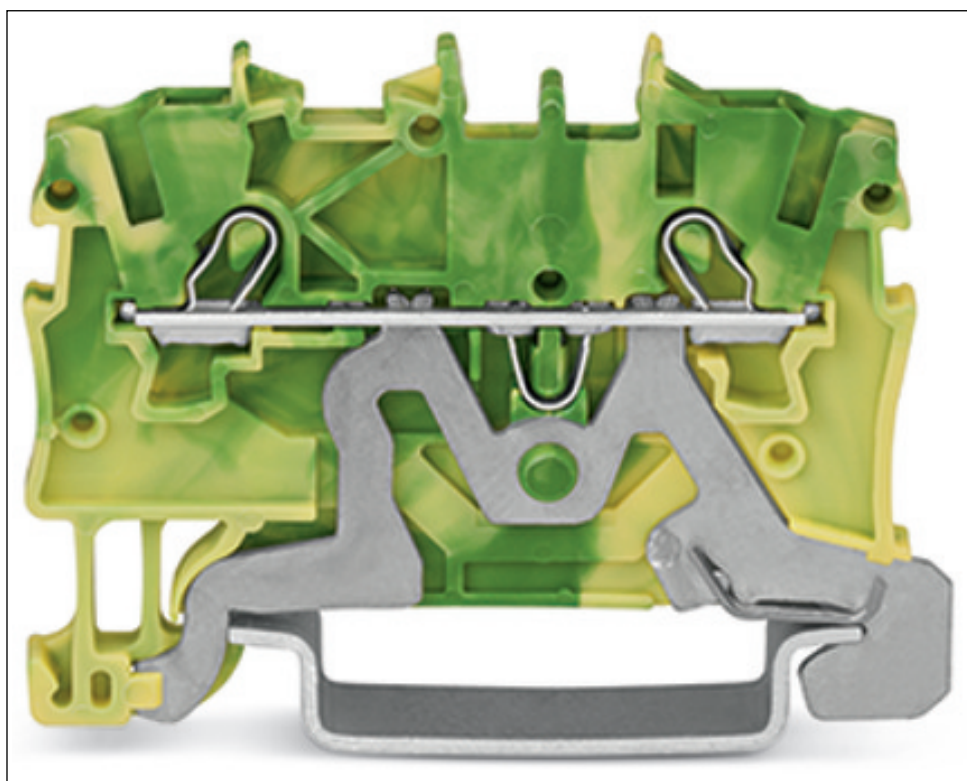
Technical data

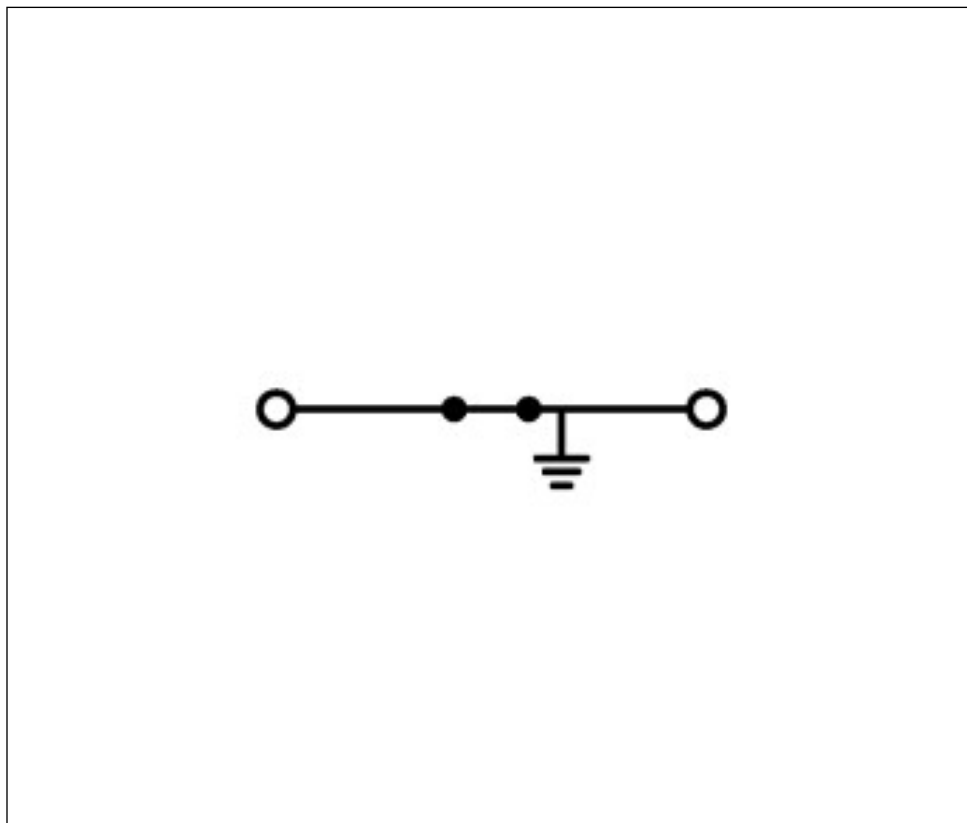
Miscellaneous

Total number of connection points	2
Total number of potentials	1
Color	green-yellow
Ratings according to 1	IEC/EN 60947-7-2
Connection technology (1)	Push-in CAGE CLAMP®
Nominal cross section 1	1 mm ²
Solid sizes 1	0.14 ... 1.5 mm ² / 24 ... 16 AWG
solid, directly pluggable 1	0.5 ... 1.5 mm ² / 20 ... 16 AWG
Fine-stranded wires 1	0.14 ... 1.5 mm ² / 24 ... 16 AWG
min. fine-stranded with insulated ferrule, push-in terminati	0.5 mm ² / 20 AWG

Technical data	
<i>Strip length 1</i>	<i>9 ... 11 mm / 0.35 ... 0.43 in</i>
<i>Type of wiring</i>	<i>Front-entry wiring</i>
<i>Design</i>	<i>horizontal</i>
<i>Marking level</i>	<i>Center/Side marking</i>
<i>Insulating material</i>	<i>Polyamide 66 (PA 66)</i>
<i>Fire load [MJ]</i>	<i>0.07 [MJ]</i>
<i>Weight [g]</i>	<i>5.738 [g]</i>
<i>Width</i>	<i>3.5 mm / 0.138 in</i>
<i>Height from upper-edge of DIN-rail [mm]</i>	<i>32.9 [mm]</i>
<i>Height from upper-edge of DIN-rail</i>	<i>32.9 mm / 1.295 in</i>
<i>Length</i>	<i>50.8 mm / 2 in</i>
<i>Type of mounting</i>	<i>DIN 35 rail</i>

Images & drawings





Address

WAGO Kontakttechnik GmbH & Co. KG

Hansastr. 27

32423 Minden

Telefon: 0571/887-0

Fax: 0571/887-169

<http://www.wago.com>

© WAGO Kontakttechnik GmbH & Co. KG

Technische Änderungen und Irrtümer vorbehalten.