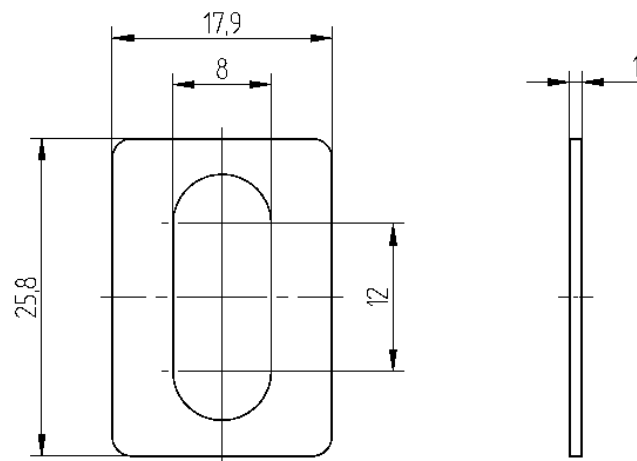
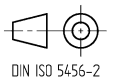


RoHS ✓



The information/details in this datasheet merely contain general descriptions or performance factors which, when applied in an actual situation, do not always correspond with the described form, and may be amended by way of the further development of products. The desired performance factors shall only be binding if these are expressly agreed on conclusion of the contract.



Product description

| | |
|-------------|-------------|
| Description | Flat gasket |
| Type | GSA 20-9 |
| Order No | 734-033-003 |

Materials

| | |
|-----------|---------------|
| Gasket(s) | EPDM, (brown) |
|-----------|---------------|

Resistances

| | |
|--------|--------------------------------|
| Gasket | Oil HM22 acc. to EN ISO 6743-4 |
|--------|--------------------------------|

Environmental conditions

| | |
|--------------------------------|-----------------|
| Protection class (IEC 60529) * | IP65 |
| Temperature range (gasket) | -40°C to +125°C |

* only if mounted and locked in combination with Hirschmann / Lumberg connector.

product overview

| Article-No. | Type |
|-------------|---------------|
| 734-033-003 | GSA 20-9 EPDM |