

SOD-323

Features:

- Planar Die Construction
- General Purpose, Medium Current
- Ideally Suited for Automated Assembly Processes

Applications:

- Zener diode
- Ultra-small surface mount package

Maximum Ratings:

Ratings at 25°C unless otherwise specified.

Characteristic	Symbol	Value	Unit
Forward voltage at $I_F=10\text{mA}$	V_F	0.9	V
Power dissipation	P_D	200	mW
Thermal resistance, junction to ambient air	$R_{\theta JA}$	625	°C/W
Junction and storage temperature range	T_j, T_{stg}	-65 to +150	°C

Note:

Valid provided that device terminals are kept at ambient temperature
Short duration test pulse used in minimize self-heating effect
 $f = 1\text{kHz}$

Electrical Characteristics:

Ratings at 25°C unless otherwise specified.

Part Number	Marking Code	Zener Voltage Range				Max. Zener Impedance			Max. Reverse Current		Temperature Coefficient of zener voltage @ I _{ZTC} mV/°C	
		V _Z @I _{ZT}			I _{ZT}	Z _{ZT} @I _{ZT}	Z _{ZK} @I _{ZK}	I _{ZK}	I _R	@V _R	Min.	Max.
		Nom(V)	Min(V)	Max(V)	mA	Ω	mA	μA	V			
BZT52C15S-7-F	WJ	15	13.8	15.6	5	30	200	1	0.1	10.5	9.2	13

Note:

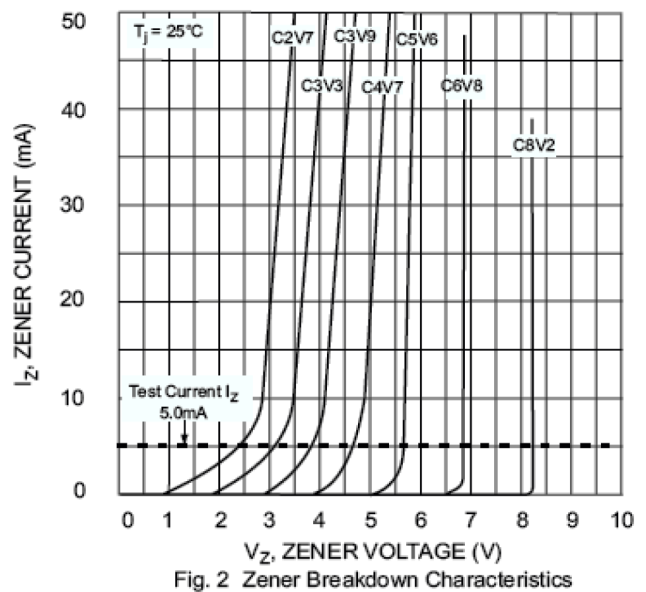
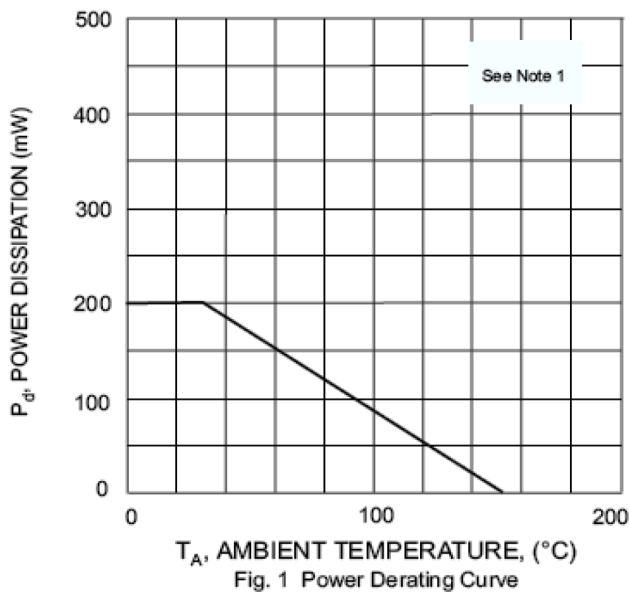
Valid provided that device terminals are kept at ambient temperature

Tested with pulses, period=5ms, pulse width = 300μs

f = 1kHz

Typical Characteristics:

T_A = 25°C unless otherwise specified.



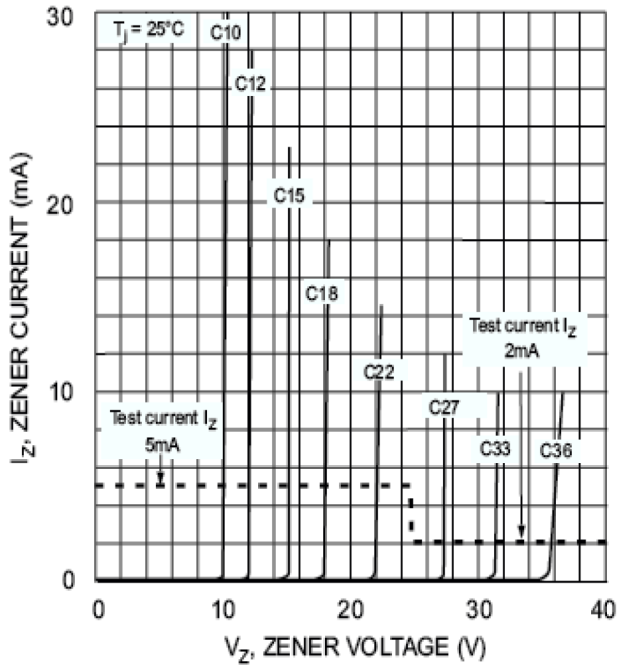


Fig. 3 Zener Breakdown Characteristics

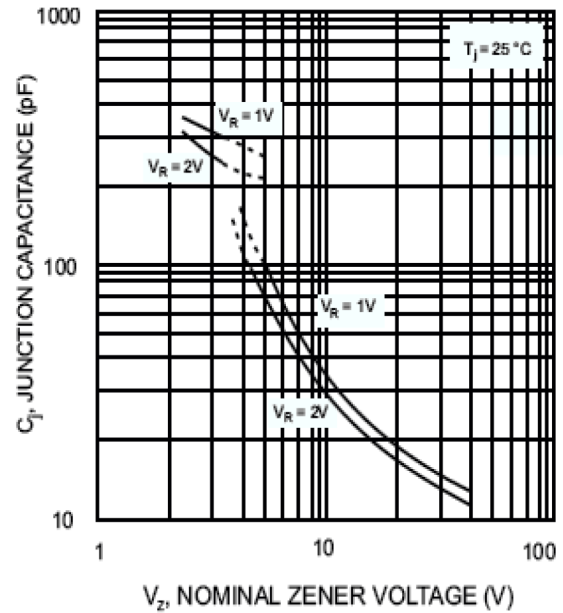
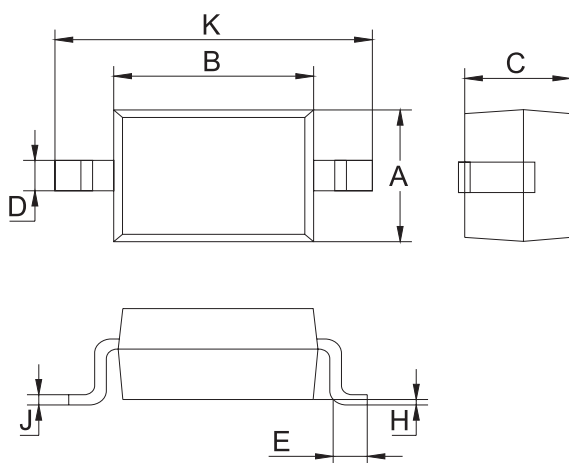


Fig. 4 Junction Capacitance vs. Nominal Zener Voltage

Package Outline:

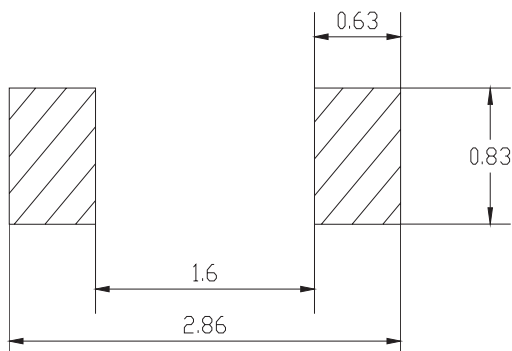
Plastic surface mounted package



SOD-323		
Dim.	Min.	Max.
A	1.275	1.325
B	1.675	1.725
C	0.9 Typ.	
D	0.25	0.35
E	0.27	0.37
H	0.02	0.1
J	0.1 Typ.	
K	2.6	2.7

Dimensions : Millimetres

Soldering Footprint:



Dimensions : Millimetres

Package Information:

Device	Package	Shipping
BZT52C15S-7-F	SOD-323	3,000 / Tape & Reel

Part Number Table

Description	Part Number
Surface Mount Zener Diode	BZT52C15S-7-F

Important Notice : This data sheet and its contents (the "Information") belong to the members of the AVNET group of companies (the "Group") or are licensed to it. No licence is granted for the use of it other than for information purposes in connection with the products to which it relates. No licence of any intellectual property rights is granted. The Information is subject to change without notice and replaces all data sheets previously supplied. The Information supplied is believed to be accurate but the Group assumes no responsibility for its accuracy or completeness, any error in or omission from it or for any use made of it. Users of this data sheet should check for themselves the Information and the suitability of the products for their purpose and not make any assumptions based on information included or omitted. Liability for loss or damage resulting from any reliance on the Information or use of it (including liability resulting from negligence or where the Group was aware of the possibility of such loss or damage arising) is excluded. This will not operate to limit or restrict the Group's liability for death or personal injury resulting from its negligence. Multicomp Pro is the registered trademark of Premier Farnell Limited 2019.