



Specifications

Mechanical

Mechanical Life : 20,000 Steps
Operation Force : 200gf-cm max

Environmental

Operation Temperature Range : -30°C to +80°C
Storage Temperature Range : -40°C to +85°C

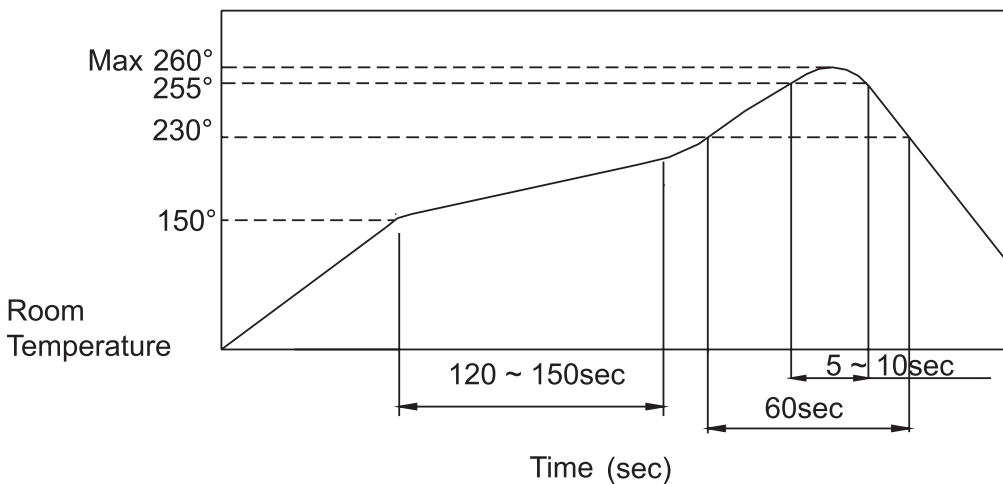
Electrical

Electrical Life : 20,000 steps
Switching Rating : 25mA, 24V DC

Material

Cover : Nickel Silver
Seal-1 : Silicon Rubber
Colour : Black, Square
Seal-2 : Silicone Rubber
Colour : Black, Square
Actuator : UL 94V-0 High-temp Thermoplastic
Block : Stainless Steel
Contact : Alloy Copper
Spring Plate : Piano Wire
Base : UL 94V-0 High-temp Thermoplastic
Colour : Black
Terminal : Brass with Gold Plated

Temperature Profile

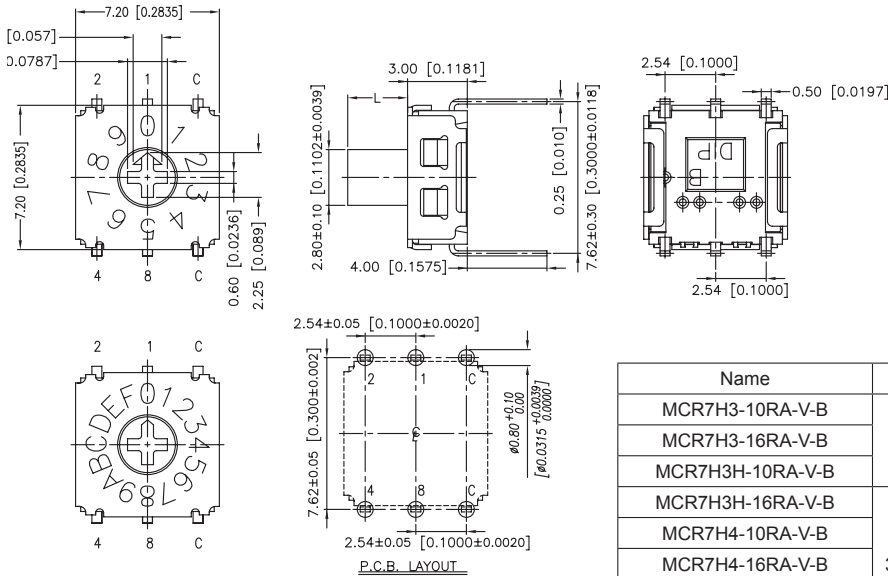


Soldering process

Hand Soldering : Use a soldering iron of 30 watts, controlled at 350°C approximately 5 seconds while applying solder.
Reflow Soldering : When applying reflow soldering, the peak temperature or the reflow over should be set to 260°C max.

Dimensions

MCR7H3-RA



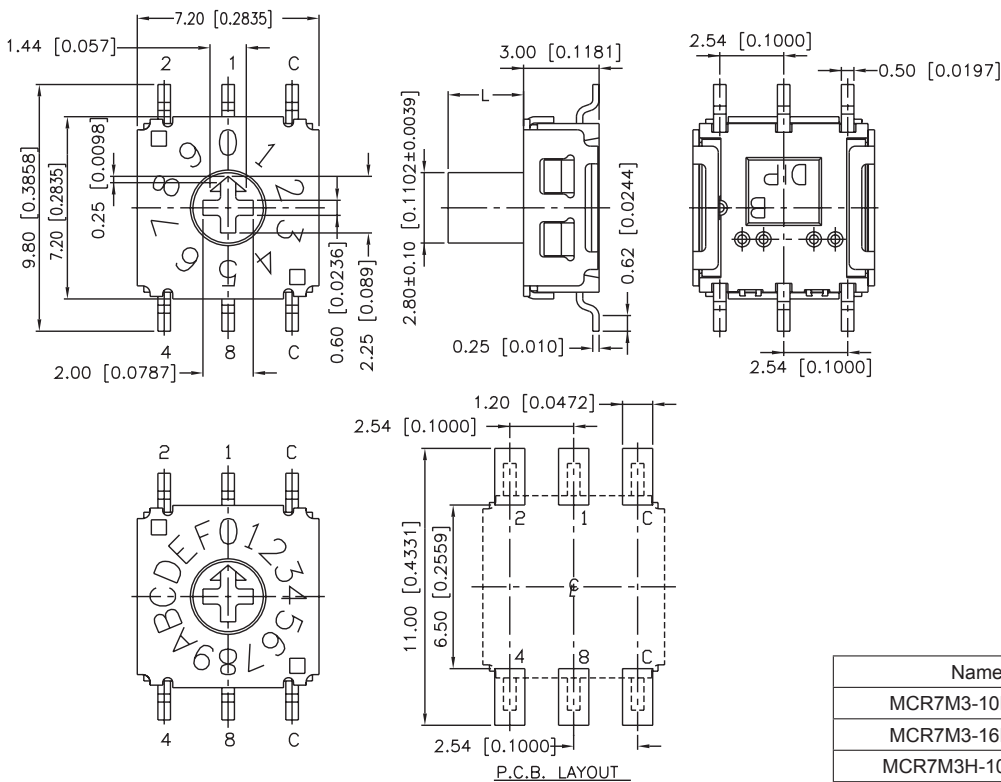
Circuit Chart

TYPE	POSITION	CODE				
		1	2	4	8	0
10 STEP	0	●	●	●	●	●
	1	○	●	●	●	●
	2	●	○	●	●	●
	3	○	○	○	●	●
	4	●	○	○	○	●
	5	○	○	○	○	●
	6	●	○	○	○	●
	7	○	○	○	○	●
	8	●	○	○	○	○
	9	○	○	○	○	○
16 STEP	A	○	○	○	○	○
	B	○	○	○	○	○
	C	○	○	○	○	○
	D	○	○	○	○	○
	E	○	○	○	○	○
	F	○	○	○	○	○

Name	H
MCR7H3-10RA-V-B	0
MCR7H3-16RA-V-B	0
MCR7H3H-10RA-V-B	3.00 [.1181]
MCR7H3H-16RA-V-B	
MCR7H4-10RA-V-B	
MCR7H4-16RA-V-B	
MCR7H4H-10RA-V-B	3.00 [.1181]
MCR7H4H-16RA-V-B	

General Tolerance : ± 0.2mm

MCR7M3-RA



Circuit Chart

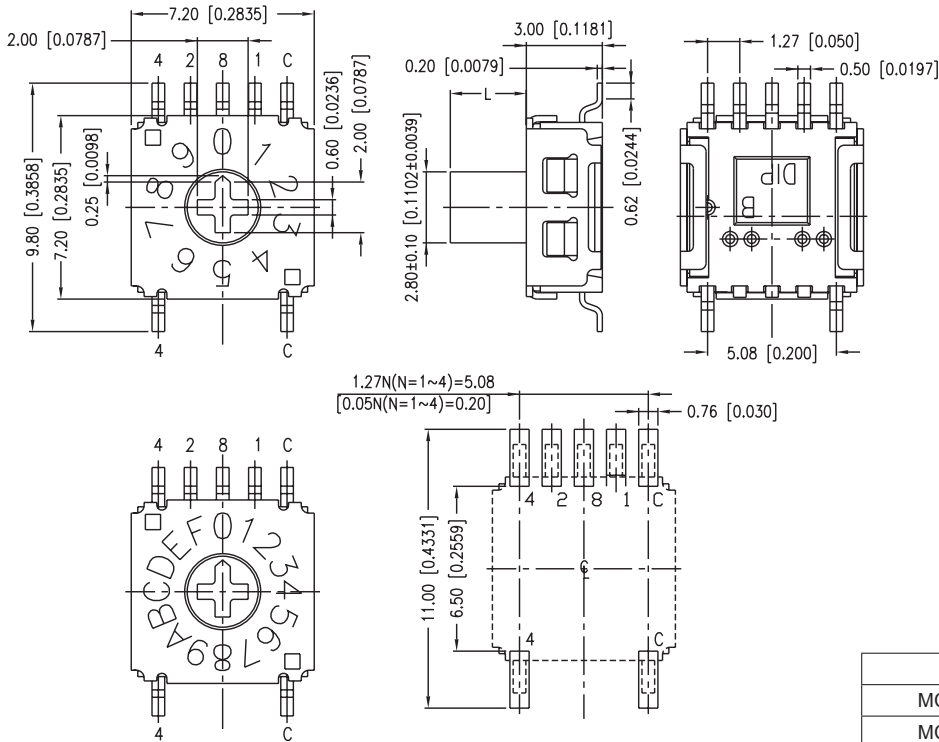
TYPE	POSITION	CODE				
		1	2	4	8	0
10 STEP	0	●	●	●	●	●
	1	○	●	●	●	●
	2	●	○	●	●	●
	3	○	○	○	●	●
	4	●	○	○	○	●
	5	○	○	○	○	●
	6	●	○	○	○	●
	7	○	○	○	○	●
	8	●	○	○	○	○
	9	○	○	○	○	○
16 STEP	A	○	○	○	○	○
	B	○	○	○	○	○
	C	○	○	○	○	○
	D	○	○	○	○	○
	E	○	○	○	○	○
	F	○	○	○	○	○

Name	H
MCR7M3-10RA-V-B	0
MCR7M3-16RA-V-B	
MCR7M3H-10RA-V-B	3.00 [.1181]
MCR7M3H-16RA-V-B	

General Tolerance : ± 0.2mm

Dimensions

MCR7M4-RA



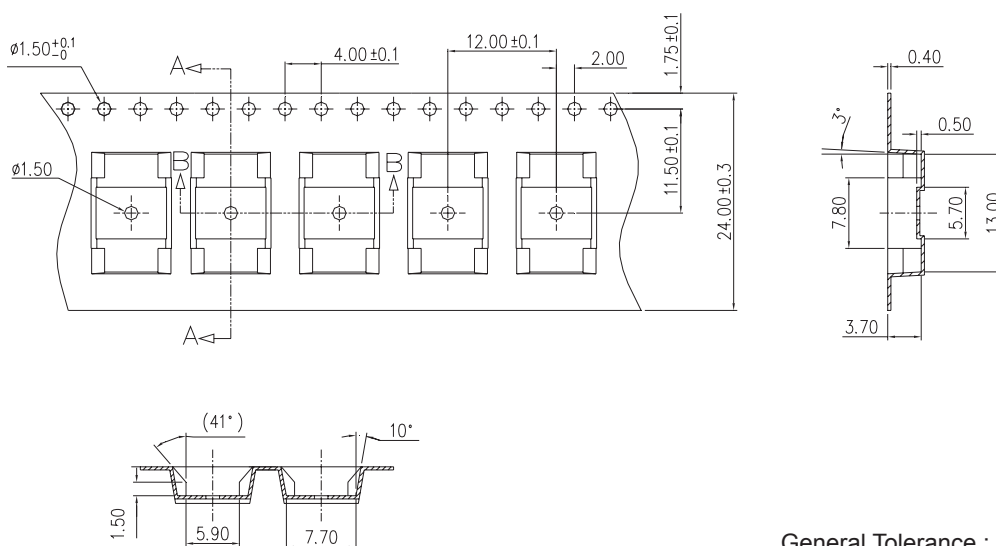
Circuit Chart

TYPE	POSITION CIBR	CODE			
		1	2	4	8
10 STEP	0	●	●	●	●
	1	○	●	●	●
	2	●	○	●	●
	3	○	○	●	●
	4	●	●	○	●
	5	○	●	○	●
	6	●	○	●	○
	7	○	○	○	●
	8	●	●	●	○
	9	○	●	●	○
16 STEP	A	●	○	●	○
	B	○	○	●	○
	C	●	●	○	○
	D	○	●	○	○
	E	●	○	○	○
	F	○	○	○	○

Name	H
MCR7M4-10RA-V-B	H
MCR7M4-16RA-V-B	0
MCR7M4H-10RA-V-B	
MCR7M4H-16RA-V-B	3.00 [1.181]

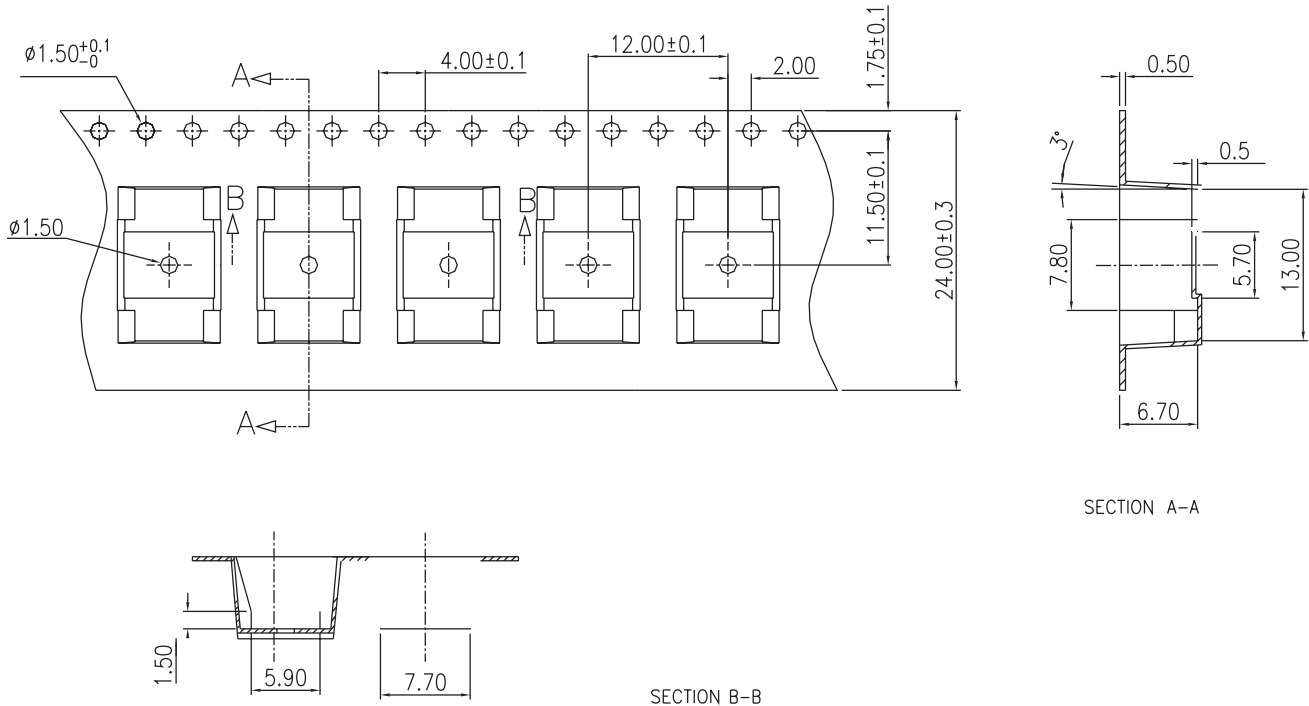
General Tolerance : ± 0.2mm

MCR7M-Reel

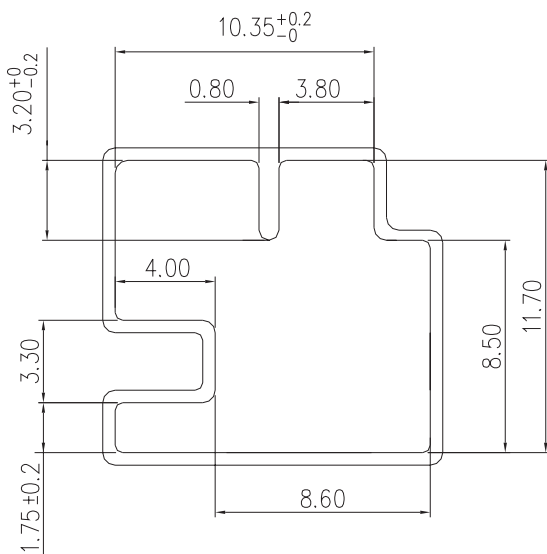


General Tolerance : ± 0.1mm

MCR7M-H Reel

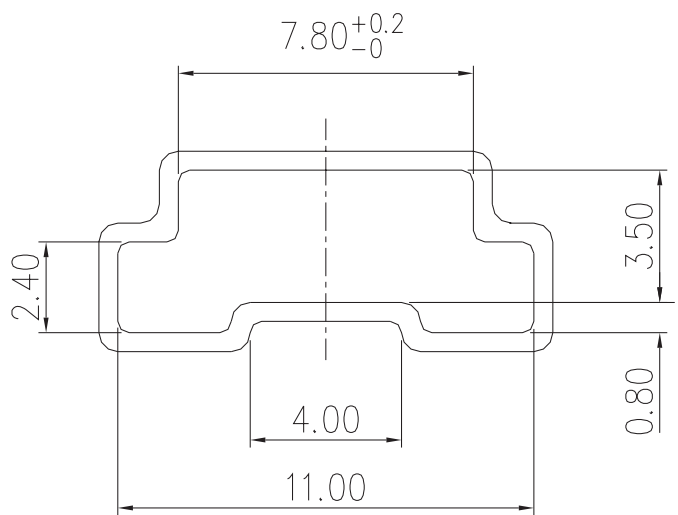


MCR7V-H Tube



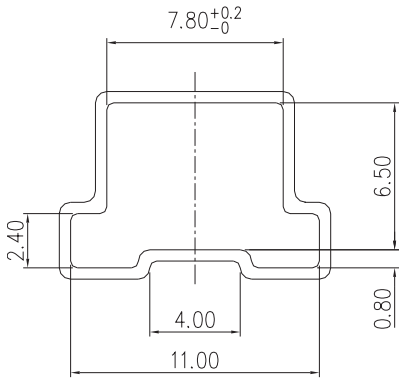
General Tolerance : $\pm 0.2\text{mm}$ ($\pm 0.008''$)

MCR7M-Tube

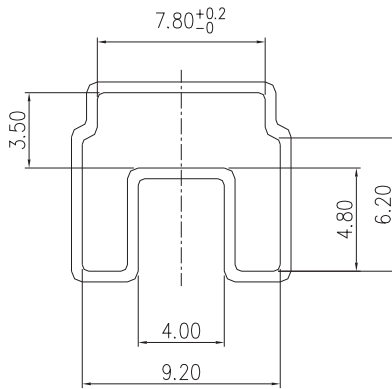


General Tolerance : $\pm 0.2\text{mm}$ ($\pm 0.008''$)

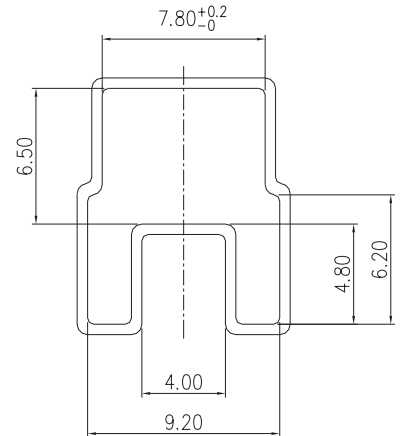
MCR7M-H Tube



MCR7H-Tube



MCR7H-H Tube



General Tolerance : $\pm 0.2\text{mm}$ ($\pm 0.008''$)

Part Number Table

Description	Part Number
Switch, Rotary, 7×7, 10 POS, 3×3	MCR7M3-10RA-V-B
Switch, Rotary, 7×7, 16 POS, 3×3	MCR7M3-16RA-V-B
Switch, Rotary, 7×7, 10 POS, 4×1	MCR7M4-10RA-V-B
Switch, Rotary, 7×7, 16 POS, 4×1	MCR7M4-16RA-V-B
Switch, Rotary, 7×7, 10 POS, 3×3	MCR7M3H-10RA-V-B
Switch, Rotary, 7×7, 16 POS, 3×3	MCR7M3H-16RA-V-B
Switch, Rotary, 7×7, 10 POS, 4×1	MCR7M4H-10RA-V-B
Switch, Rotary, 7×7, 16 POS, 4×1	MCR7M4H-16RA-V-B
Switch, Rotary, 7×7, 10 POS, 3×3	MCR7H3-10RA-V-B
Switch, Rotary, 7×7, 16 POS, 3×3	MCR7H3-16RA-V-B
Switch, Rotary, 7×7, 10 POS, 4×1	MCR7H4-10RA-V-B
Switch, Rotary, 7×7, 16 POS, 4×1	MCR7H4-16RA-V-B
Switch, Rotary, 7×7, 10 POS, 3×3	MCR7H3H-10RA-V-B
Switch, Rotary, 7×7, 16 POS, 3×3	MCR7H3H-16RA-V-B
Switch, Rotary, 7×7, 10 POS, 4×1	MCR7H4H-10RA-V-B
Switch, Rotary, 7×7, 16 POS, 4×1	MCR7H4H-16RA-V-B

Important Notice : This data sheet and its contents (the "Information") belong to the members of the Premier Farnell group of companies (the "Group") or are licensed to it. No licence is granted for the use of it other than for information purposes in connection with the products to which it relates. No licence of any intellectual property rights is granted. The Information is subject to change without notice and replaces all data sheets previously supplied. The Information supplied is believed to be accurate but the Group assumes no responsibility for its accuracy or completeness, any error in or omission from it or for any use made of it. Users of this data sheet should check for themselves the Information and the suitability of the products for their purpose and not make any assumptions based on information included or omitted. Liability for loss or damage resulting from any reliance on the Information or use of it (including liability resulting from negligence or where the Group was aware of the possibility of such loss or damage arising) is excluded. This will not operate to limit or restrict the Group's liability for death or personal injury resulting from its negligence. Multicomp is the registered trademark of the Group. © Premier Farnell plc 2012.