



ALL RIGHTS RESERVED. NO PORTION OF THIS PUBLICATION, WHETHER IN WHOLE OR IN PART CAN BE REPRODUCED WITHOUT THE EXPRESS WRITTEN CONSENT OF SPC TECHNOLOGY.

SPC-F005.DWG

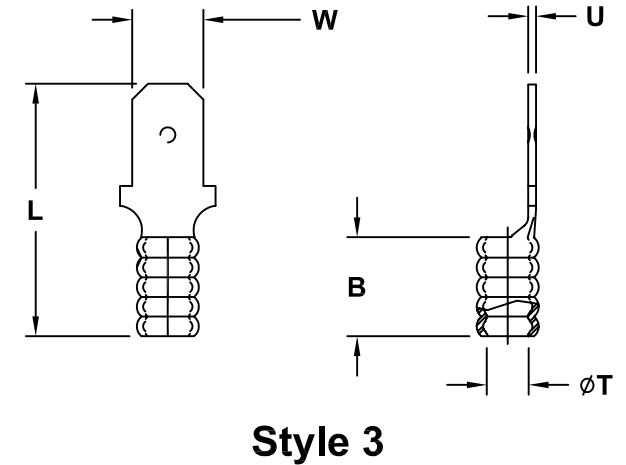
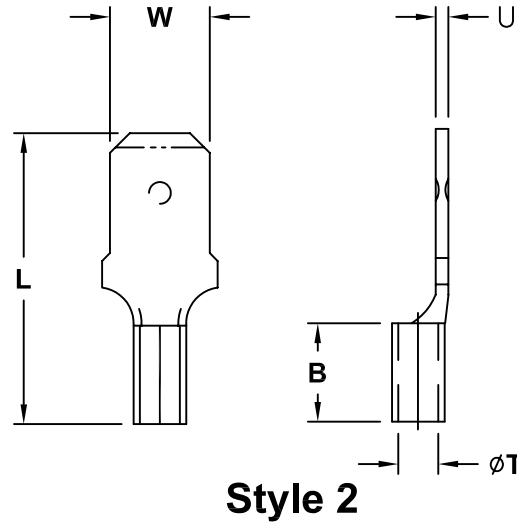
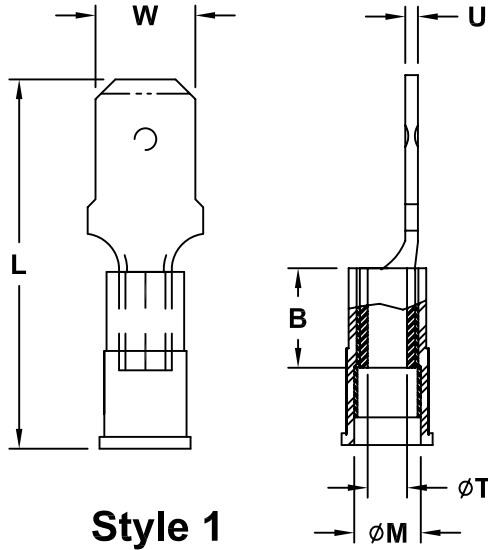
REVISIONS

DOC. NO. SPC-F005 * Effective: 7/8/02 * DCP No: 1398

DCP #	REV	DESCRIPTION	DRAWN	DATE	CHECKD	DATE	APPRVD	DATE
1369	C	Bulk Items Added	JWM	10/21/03	JC	10/21/03	JC	10/21/03
1745	D	Oper. temp corrected	JWM	7/2/04	JC	7/2/04	JC	7/2/04

NOTES:

1. Material Electro-Tin Plated Copper
2. Insulated Terminals: Nylon 6/6 (UL94V-2)
Operating Temp: -40°F to 221°F (-40°C~105°C)
3. Voltage Rating: 600V



SPC Type No.	Wire Range (AWG)	Mates with Male Tab Width (W) x Thickness	L	B	T	M	U	Insulation Material	Style	Package Qty
CMS-DY-1025	12 ~ 10	.250 x .032	1.05	.25	.185	.25	.032	Nylon - Yellow	1	50
SPC3881										500
CMS-DY-1425	16 ~ 14	.250 x .032	.94	.25	.085	.170	.032	Nylon - Blue	1	100
SPC3880										1000
CMS-TO-1425	16 ~ 14	.250 x .032	.73	.25	.085	NA	.032	Non-Insulated	2	100
SPC3868										1000
CMS-TO-1818	22 ~ 18	.187 x .020	.64	.24	.080	NA	.020	Non-Insulated	2	100
SPC3866										1000
CMS-TO-1825	22 ~ 18	.250 x .032	.73	.25	.065	NA	.032	Non-Insulated	3	100
SPC3867										1000



OSHA Acceptable

DISCLAIMER: ALL STATEMENTS AND TECHNICAL INFORMATION CONTAINED HEREIN ARE BASED UPON INFORMATION AND/OR TESTS WE BELIEVE TO BE ACCURATE AND RELIABLE. SINCE CONDITIONS OF USE ARE BEYOND OUR CONTROL, THE USER SHALL DETERMINE THE SUITABILITY OF THE PRODUCT FOR THE INTENDED USE AND ASSUME ALL RISK AND LIABILITY WHATSOEVER IN CONNECTION THEREWITH.

TOLERANCES:
Tolerances: Unless Otherwise Specified:
.X = ±.015
.XX = ±.010
.XXX = ±.005

DRAWN BY:	DATE:
JC	3/11/91
CHECKED BY:	DATE:
JOHN COLE	12/11/91
APPROVED BY:	DATE:
JL	12/11/91

DRAWING TITLE: Butted Seam Male Disconnects			
SIZE A	DWG. NO. TA-483	ELECTRONIC FILE TA-483.dwg	REV D
SCALE: NTS	U.O.M.: INCHES [mm]	SHEET: 1 OF 1	