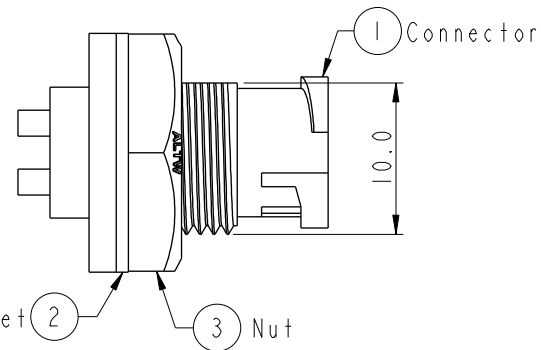
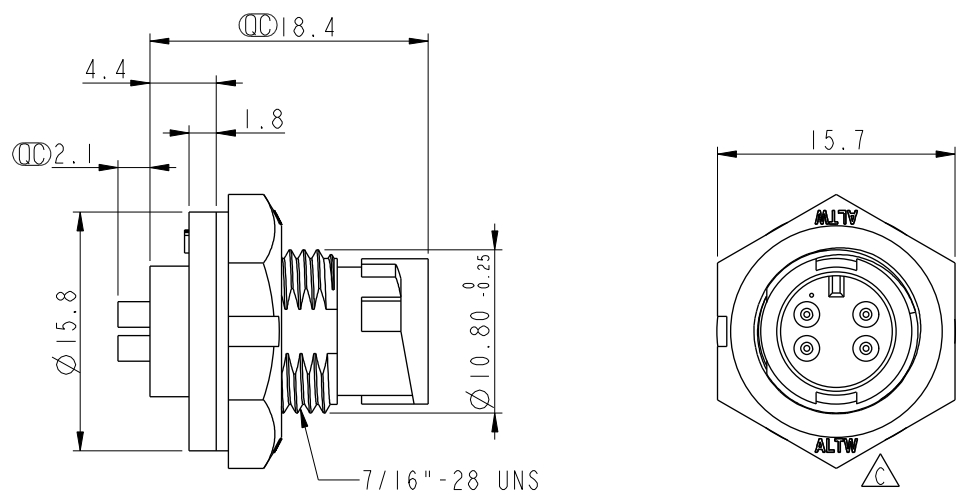
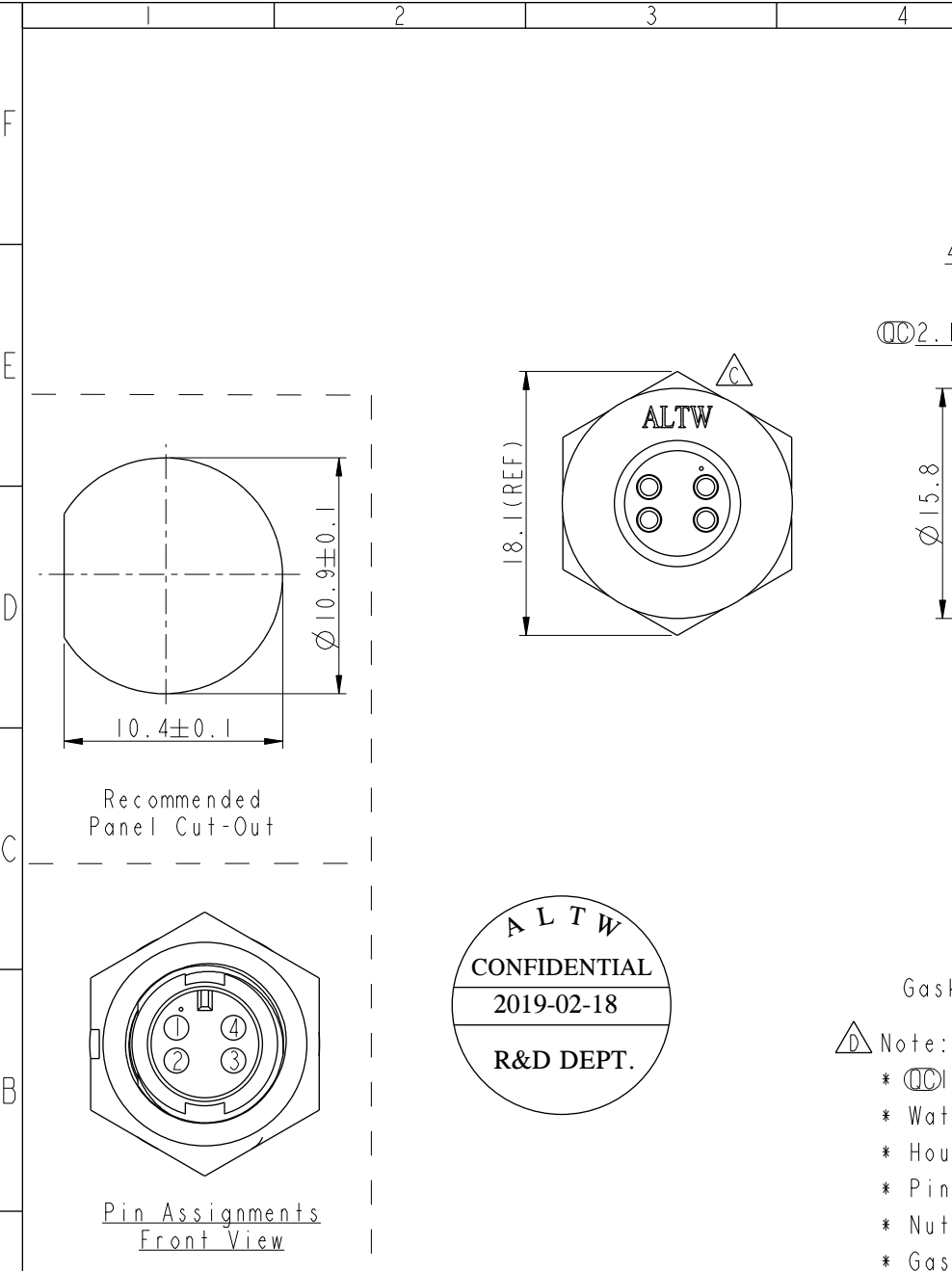


REV.	ECN NO.	DATE	SIGN	DESCRIPTION
B	LEN-8A0143	2008/09/15	Shin	Add Notes
C	LEN1530170	2014/12/18	Ruru	Change Logo
D	CI90268	2019/02/18	Ruru	Modify Note



- Note:**
- * ⌀ Important Dimension.
 - * Waterproof Rate: IP67, Unmated
 - * Housing: Thermoplastic, Black
 - * Pin: Copper Alloy, Gold Plated
 - * Nut: Thermoplastic, Black
 - * Gasket: Rubber, Black
- B*** Use with waterproof cap or dust cap
Panel Thickness max: 2.5mm
- B*** Use without waterproof cap or dust cap
Panel Thickness max: 3.5mm
- * Gasket and Nut are packed separately in PE bags.

UNIT:mm 	TITLE Mini Panel Lock 4Pin M Conn. M Pin			Amphenol LTW 安費諾亮泰企業股份有限公司		ITEM NO AU-04PMMS-LC7001	DRAWN BY Ruru	DATE 2019-02-18
	TOLERANCE .X ±0.25 .XX ±0.1 .XXX ±0.05 ANGLES ±1°	SCALE 2:1	SIZE A4	SHEET 1 OF 1	DWG NO AU-04PMMS-LC7001		CHECKED BY Rita	DATE 2019-02-18
	REV. D	WC-REV. A.2	⌀ : Inspection item		CUSTOMER ALTW	APPROVED BY Max	DATE 2019-02-18	
	2			3			8 W10814-03-01A2	

THIS DOCUMENT IS SUBJECT TO CHANGE WITHOUT NOTICE. IT IS CONFIDENTIAL AND A PROPERTY OF AMPHENOL LTW. DISCLOSURE TO THIRD PARTY HAS TO BE AUTHORIZED BY AMPHENOL LTW.