

184164-1 ✓ ACTIVE

AMP | Sealed Sensor Connector SSC System

TE Internal #: 184164-1

Sealed Sensor Connector SSC System, Housing for Male Terminals, Wire-to-Device / Wire-to-Wire / Wire-to-Board, 2 Position, 5mm [.197in] Centerline

[View on TE.com >](#)



Connectors > Automotive Connectors > Connector Housings



Connector & Housing Type: **Housing for Male Terminals**

Connector System: **Wire-to-Board, Wire-to-Device, Wire-to-Wire**

Number of Positions: **2**

Centerline (Pitch): **5 mm [.197 in]**

Sealable: **No**

Features

Product Type Features

Connector & Housing Type	Housing for Male Terminals
Connector System	Wire-to-Board, Wire-to-Device, Wire-to-Wire
Sealable	No
Hybrid Connector	No
Primary Locking Feature	Integrated in Housing

Configuration Features

Number of Positions	2
Number of Rows	1

Electrical Characteristics

Operating Voltage	125 VAC
Nominal Voltage Architecture	12 V, 24 V, 42 V, 48 V, 80 V, 90 V, 125 V

Body Features

Cable Exit Angle	180°
Body Material	PBT GF
Primary Product Color	Gray

Mechanical Attachment

Mounting Feature	Without
------------------	---------



Terminal Position Assurance	No
-----------------------------	----

Strain Relief	Add By Accessory
---------------	------------------

Housing Features

Centerline (Pitch)	5 mm [.197 in]
--------------------	----------------

Dimensions

Product Width	18.5 mm [.728 in]
---------------	-------------------

Product Length	18.4 mm [.72 in]
----------------	------------------

Product Height	42.3 mm [1.67 in]
----------------	-------------------

Usage Conditions

Operating Temperature (Max)	70 °C, 75 °C, 80 °C, 85 °C, 90 °C, 100 °C, 105 °C, 110 °C, 120 °C, 125 °C [158 °F][167 °F][176 °F][185 °F][194 °F][212 °F][221 °F][230 °F][248 °F][257 °F]
-----------------------------	--

Operating Temperature Range	-40 – 125 °C, -40 – 125 °C [-40 – 257 °F] [-40 – 257 °F]
-----------------------------	--

Industry Standards

UL Flammability Rating	UL 94HB
------------------------	---------

Packaging Features

Packaging Quantity	2000
--------------------	------

Packaging Method	Package
------------------	---------

Other

Serviceable	Yes
-------------	-----

Connector Position Assurance Capable	No
--------------------------------------	----

Product Compliance

[For compliance documentation, visit the product page on TE.com>](#)

EU RoHS Directive 2011/65/EU	Compliant
------------------------------	-----------

EU ELV Directive 2000/53/EC	Compliant
-----------------------------	-----------

China RoHS 2 Directive MIIT Order No 32, 2016	No Restricted Materials Above Threshold
---	---

EU REACH Regulation (EC) No. 1907/2006	Current ECHA Candidate List: JAN 2021 (211) Candidate List Declared Against: JAN 2021 (211) Does not contain REACH SVHC
--	---

Halogen Content	Low Halogen - Br, Cl, F, I < 900 ppm per
-----------------	--

homogenous material. Also BFR/CFR/PVC Free

Solder Process Capability

Not reviewed for solder process capability

Product Compliance Disclaimer

This information is provided based on reasonable inquiry of our suppliers and represents our current actual knowledge based on the information they provided. This information is subject to change. The part numbers that TE has identified as EU RoHS compliant have a maximum concentration of 0.1% by weight in homogenous materials for lead, hexavalent chromium, mercury, PBB, PBDE, DBP, BBP, DEHP, DIBP, and 0.01% for cadmium, or qualify for an exemption to these limits as defined in the Annexes of Directive 2011/65/EU (RoHS2). Finished electrical and electronic equipment products will be CE marked as required by Directive 2011/65/EU. Components may not be CE marked. Additionally, the part numbers that TE has identified as EU ELV compliant have a maximum concentration of 0.1% by weight in homogenous materials for lead, hexavalent chromium, and mercury, and 0.01% for cadmium, or qualify for an exemption to these limits as defined in the Annexes of Directive 2000/53/EC (ELV). Regarding the REACH Regulation, the information TE provides on SVHC in articles for this part number is based on the latest European Chemicals Agency (ECHA) 'Guidance on requirements for substances in articles' posted at this URL: <https://echa.europa.eu/guidance-documents/guidance-on-reach>

Compatible Parts



TE Part # CAT-EC7491-T273
Econoseal Receptacles and Tabs



TE Part # CAT-M9194-T273
MULTILOCK, RECEPTACLE AND TAB



TE Part # 184060-1
6 POS./6 CIRC PLUG ASSY, KEY A



TE Part # 184175-1
2 POS. CAP LP



TE Part # 184002-1
2 POS. PLUG ASSY, KEY B, GRAY



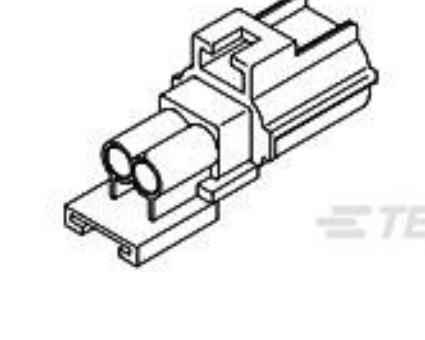
TE Part # 184141-1
WIRE SEAL,RUBBER,SENSOR,PURPLE, LIM



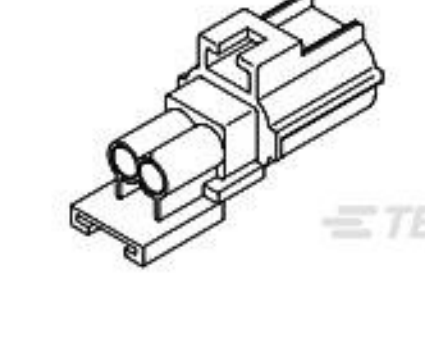
TE Part # 184140-1
WIRE SEAL,RUBBER,SENSOR, ORANGE



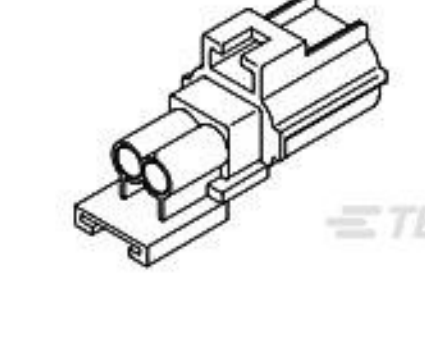
TE Part # 184139-1
WIRE SEAL,RUBBER,SENSOR,BLUE



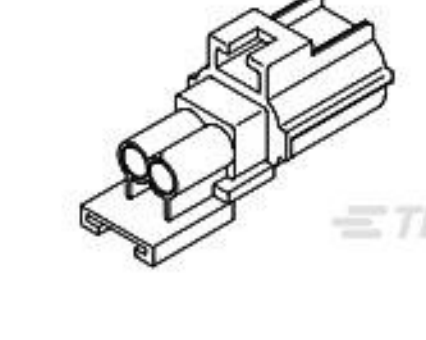
TE Part # 184154-1
2 POS. END CAP HSG., KEY D



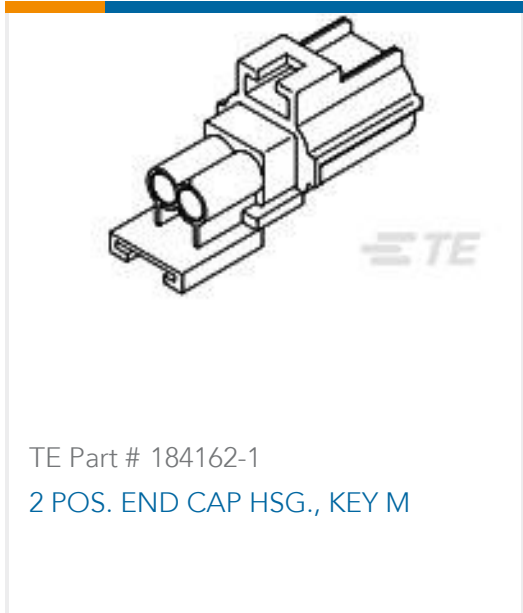
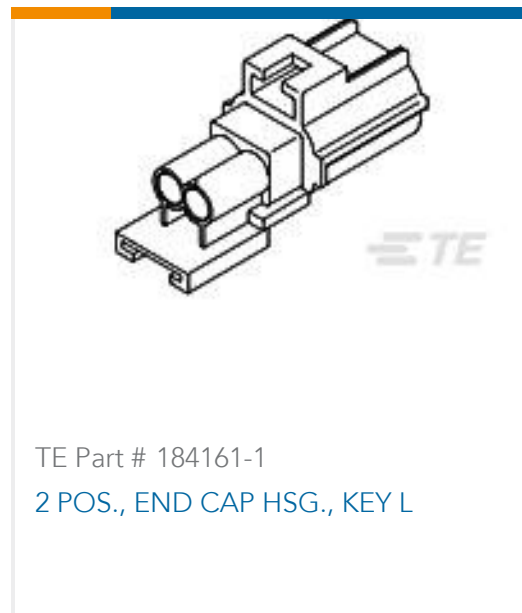
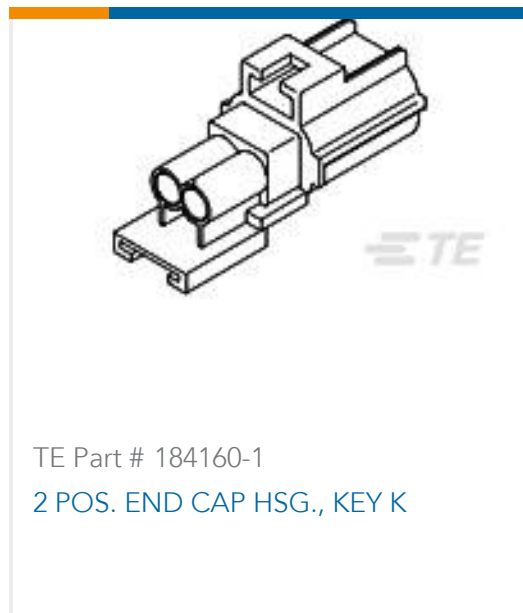
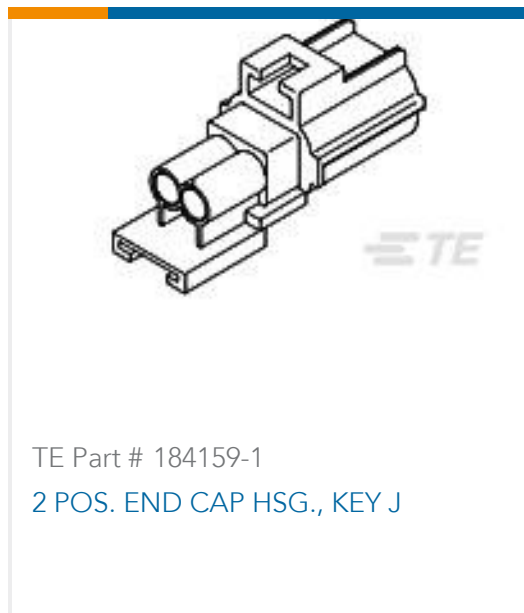
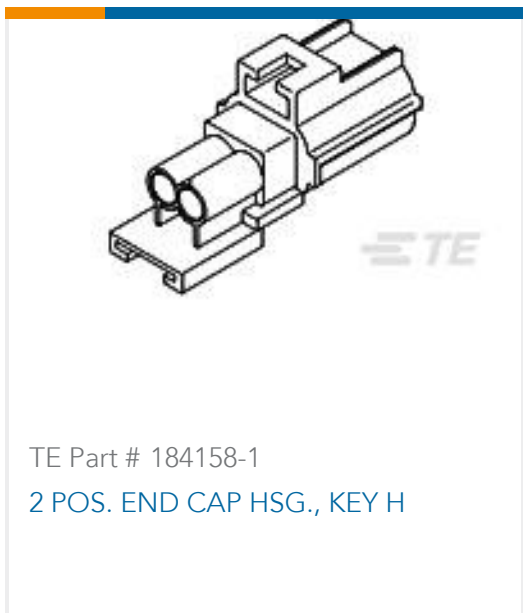
TE Part # 184152-1
2 POS. END CAP HSG., KEY B



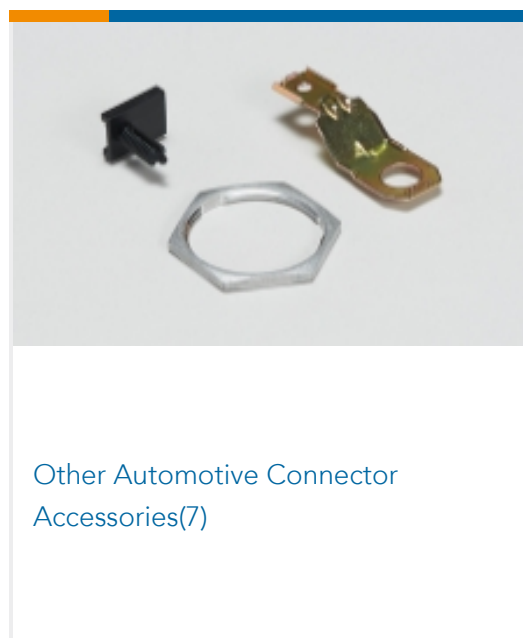
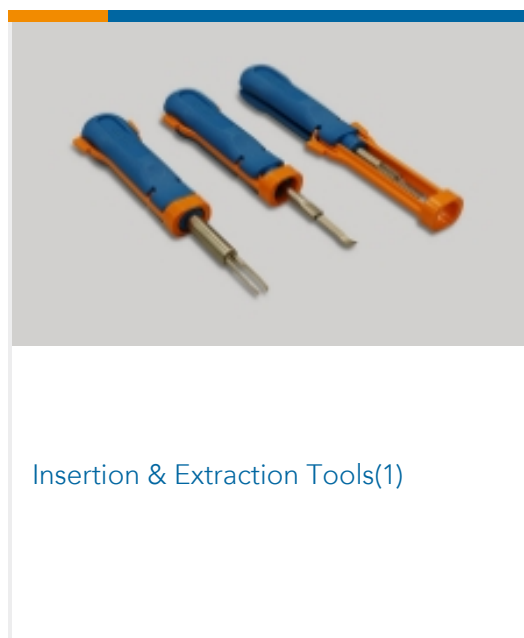
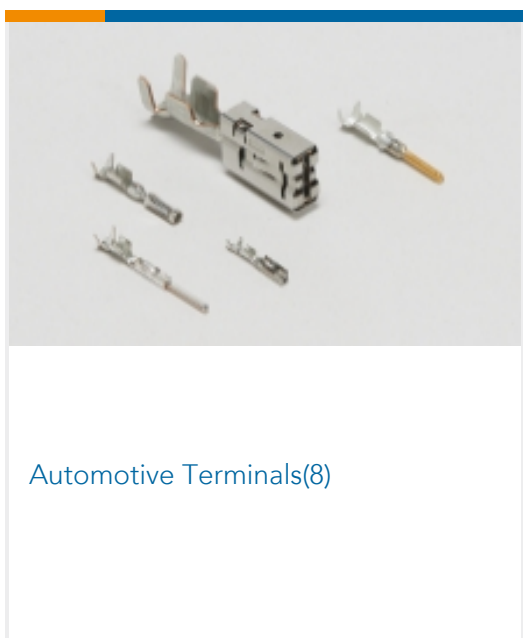
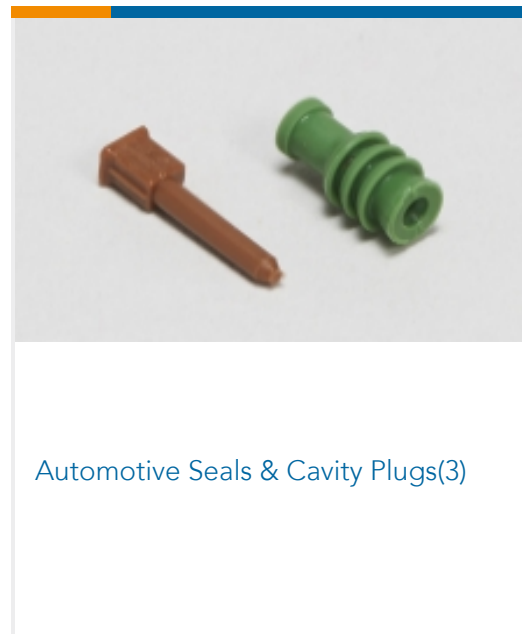
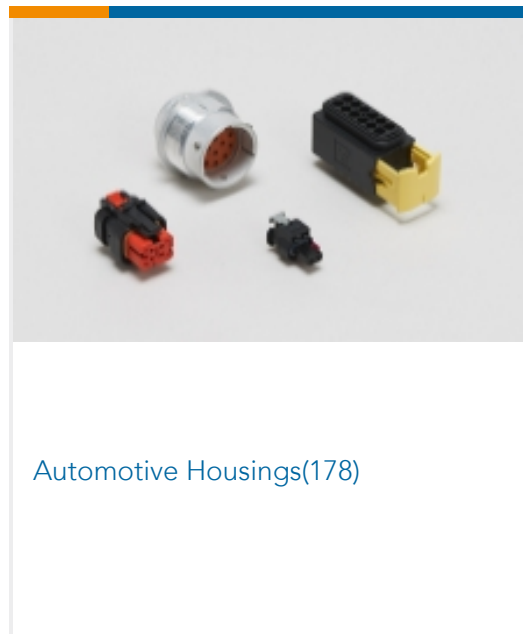
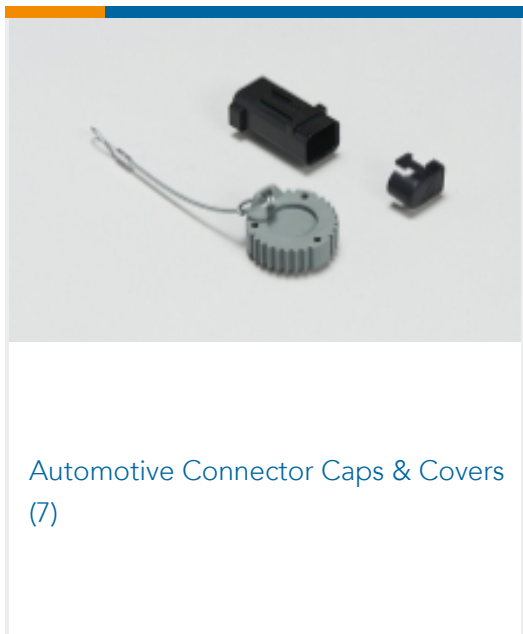
TE Part # 184156-1
2 POS. END CAP HSG., KEY F



TE Part # 184157-1
2 POS. END CAP HSG., KEY G



Also in the Series | Sealed Sensor Connector SSC System



Customers Also Bought





TE Part #1563307-2
GET .64 CONNECTOR SYSTEM,
CONNECTOR HSG



TE Part #1633860-3
CRIMPER, WIRE F



TE Part #1338691-1
ANVIL, COMBINATION .062



TE Part #184002-1
2 POS. PLUG ASSY, KEY B, GRAY



TE Part #1241381-2
AMP MCP 1.5K, CONTACT, SWS, (LP)

Documents

Product Drawings

[2 POS. CAP HSG., KEY B](#)

English

CAD Files

[3D PDF](#)

English

Customer View Model

[ENG_CVM_184164-1_A.2d_dxf.zip](#)

English

Customer View Model

[ENG_CVM_184164-1_A.3d_igs.zip](#)

English

Customer View Model

[ENG_CVM_184164-1_A.3d_stp.zip](#)

English

By downloading the CAD file I accept and agree to the [Terms and Conditions](#) of use.

Product Specifications

[Application Specification](#)

English